

RECOMMENDED PCB LAYOUT  
GENERAL TOLERANCE ±0.05

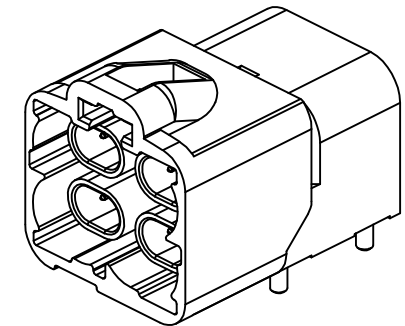
Solder area(13x)  
 Keypout area(4x)

NOTES:

1. MATERIAL:
  - 1.1 HOUSING: PA9T GP2450NH-2
  - 1.2 DIELECTRIC: VECTRA LCP E471i
  - 1.3 SHELL: ZAMAK3
  - 1.4 CONTACT: BRASS C3604
  - 1.5 BAFFLE: PHOSPHOR BRONZE C5191-H
2. FINISH:
 

CONTACT:  
CONTACT:SEE ORDER INFORMATION.  
UNDERPLATING: 50~100u" NICKEL OVERALL  
SHELL:120u"~240u" MATTE TIN
3. SPEC. PLS. REFER TO PS-92806-XXXXX-XX
4. PACKAGE PLS. REFER TO 92806-004CR-XX
5. PART NUMBER

92806-004 X X- XXX  
 PORT X CAZ  
 PACKING: PLATING:  
 0: TAPE & REEL 0: 6u"GOLD



QUALITY SYMBOLS MAJOR CRITICAL	DRAWN BY	DATE		
	TSO I CHIAO	21'04/26		
GENERAL TOLERANCES (UNLESS SPECIFIED)	CHECKED BY	DATE	TITLE H-MTD PCB PLUG RIGHT ANGLE QUAD	
	LEE Kuang En	21'04/26		
X. ±0.5 .X ±0.25 .XX ±0.15 .XXX ±0.1 ANGLES ±2°	APPROVED BY	DATE	UNITS	SIZE
	CHEN Chi Chang	21'04/26	mm	A4
	SCALE	SHEET NO.	REV	DWG NO.
	2 : 1	1 OF 1	A	92806-004XX-XXX
				PART NO.
				SEE NOTES