

SCALE 4:1

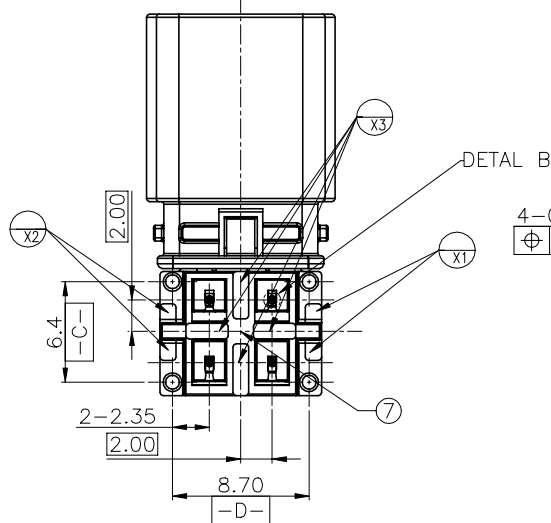
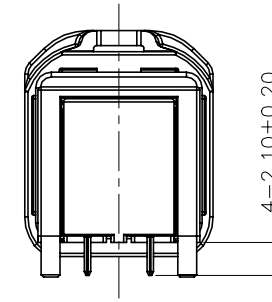
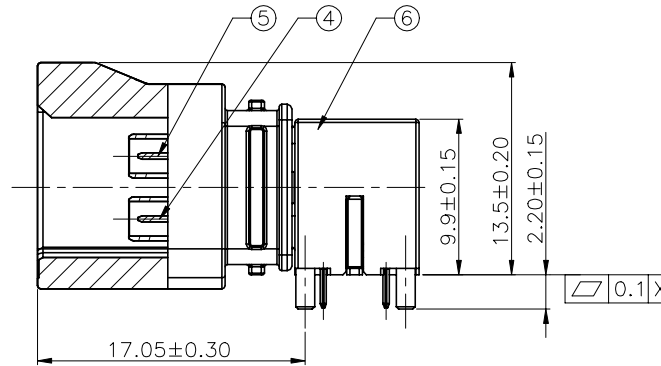
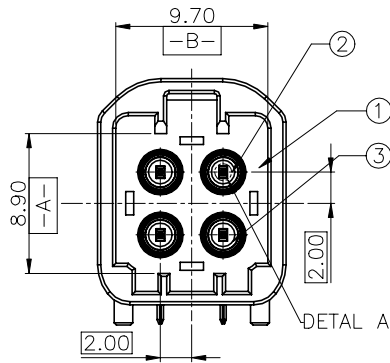
COLDING Z
COLOR:WATER BLUE

NOTES:

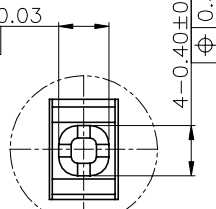
1. MATERIAL IS ZN5,PLATING: NICKLE 1-3um; Tin 3-5um
2. FREE RADIUS NOT TO EXCEED R0.1mm
3. THE CAVITY,LOGO MAX HEIGHT 0.10mm ABOVE SURFACE.
THE TEXT HEIGHT IS ABOUT 2mm.
4. OTHERWISE SPECIFIED PLS REFER TO STANDARD DOCUMENT NO.DC-016
5. PART NUMBER

92804-004 X X -Cax

CKTS _____ CODING:
0:TAPE & REEL _____ PLATING 1: AU
x:REFERENCE ON PAGE.2 TABLE

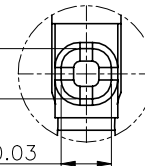


4-0.40±0.03
Φ 0.3 B



DETAIL A
SCALE 16:1

4-0.40±0.03
Φ 0.3 C

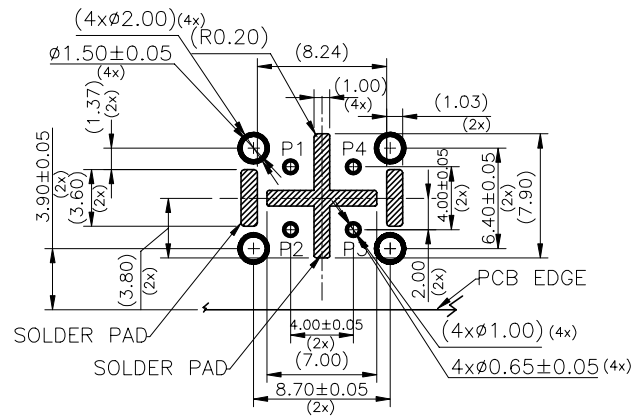


DETAIL B
SCALE 16:1

No.	DESCRIPTION	Q'TY	MATERINALS	FISISHED
1	HOSUING	1	PLASTIC	WATER BLUE
2	INSULATOR 1	2	PLASTIC	NATURAL
3	INSULATOR 2	2	PLASTIC	NATURAL
4	CENTER CONTACT 1	2	COPPER ALLOY	GOLD PLATED
5	CENTER CONTACT 2	2	COPPER ALLOY	GOLD PLATED
6	BODY	1	ZINC ALLOY	TIN PLATED
7	COVER	1	ZINC ALLOY	TIN PLATED

QUALITY SYMBOLS MAJOR QUARTERLY CRITICAL	DRAWN BY	DATE		
	Lin Liang Ju	20'07/22		
GENERAL TOLERANCES (UNLESS SPECIFIED)	CHECKED BY	DATE	TITLE Mini FAKRA Male Conn.T/H R/A	
	Lee Kuang En	20'07/22		
X. ±0.5 .X ±0.25 .XX ±0.15 .XXX ±0.1 ANGLES ±2°	APPROVED BY	DATE	UNITS	SIZE
	Chen Chi Chang	20'07/22	mm	A4
	SCALE	SHEET NO.	REV	DWG NO.
	2 : 1	2 OF 1	A	92804-004XX-CAX
				PART NO.
				SEE NOTES

Coding								
Coding	A KEY	B KEY	C KEY	D KEY	E KEY	F KEY	Z KEY	1 KEY
Plug								
Color	Black	White	Blue	Bordeaux	Green	Brown	Waterblue	Waterblue
RAL	Sim. 9005	Sim. 9010	Sim. 5012	Sim. 4004	Sim. 6017	Sim. 8011	Sim. 5021	Sim. 5021



RECOMMENDED PCB LAYOUT
 TOLERANCE ± 0.05
 SOLDER AREA STAND OFF AREA
 : PAD AREA

QUALITY SYMBOLS	DRAWN BY	DATE		
MAJOR QUARTERLY	Lin Liang Ju	20'07/22		
CRITICAL	CHECKED BY	DATE	TITLE	Mini FAKRA Male Conn.T/H R/A
GENERAL TOLERANCES (UNLESS SPECIFIED)	Lee Kuang En	20'07/22	REV	
X. ± 0.5	APPROVED BY	DATE	SHEET NO.	PART NO.
.X ± 0.25	Chen Chi Chang	20'07/22	2 OF 2	SEE NOTES
.XX ± 0.15	UNITS		SCALE	A
.XXX ± 0.1	mm	2 : 1	SCALE	A
ANGLES $\pm 2^\circ$	SCALE	2 : 1	SCALE	A