

RECOMMENDED PCB LAYOUT  
GENERAL TOLERANCE  $\pm 0.05$

- NOTES:  
 1. MATERIAL:  
 1.1 HOUSING: THERMOPLASTIC, HIGH TEMP, UL94V-0; COLOR IS GRAY.  
 1.2 CONTACT: BRASS  
 2. CONTACT PLATING :  
 50~100u" MIN NICKEL UNDERPLATING OVERALL  
 L:100~200u" PURE TIN PLATING  
 3.SPEC. PLS. REFER TO SPEC-92203-XXXX-XXX  
 4.PART NUMBER

P/N LEGEND

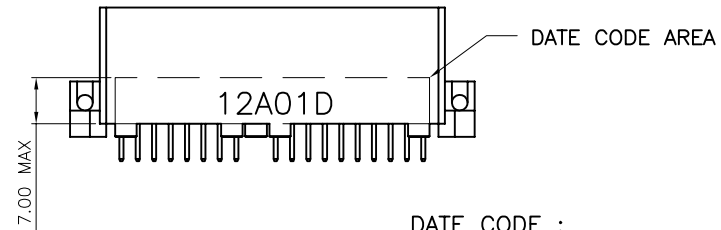
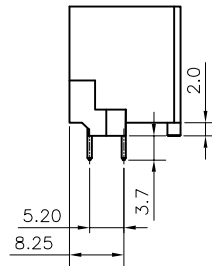
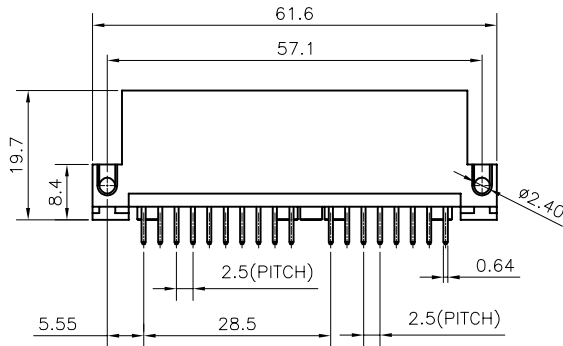
92203-036 X X-001

NO OF CKT

PACKING  
1:TUBE PACKAGE

XXX	Housing Color.
001	GRAY

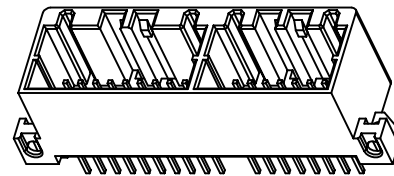
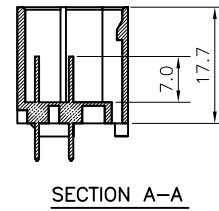
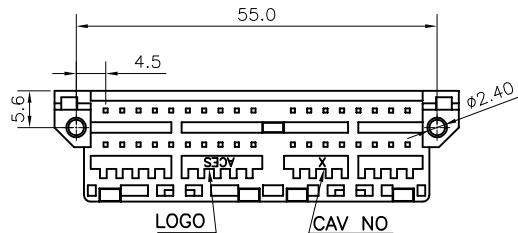
PLATING  
L:100~200u"PURE TIN(LEAD FREE)



DATE CODE :  
12 A 01 D

YEAR:12=2012  
MONTH:A(JAN), B(FEB)...  
DAY

PLANT T=TW-TAI WAN  
D=DG-DONG GUAN  
E=KS-KUNSHAN-CHANG JIANG  
K=KS-KUNSHAN-QING YANG  
G=CG-CHONG QING



一般公差 <b>TOLERANCES</b> X $\pm 0.5$ XX $\pm 0.15$ X $\pm 0.25$ XXX $\pm 0.1$ ANGLE $\pm 2^\circ$		<b>宏致電子股份有限公司</b> <b>Aces Electronic Co.,Ltd.</b>	
檢驗尺寸標示 SYMBOLS $\oplus$ $\otimes$ INDICATE CLASSIFICATION DIMENSION $\oplus$ MARK IS CRITICAL DIM. $\otimes$ MARK IS MAJOR DIM.		品名 (TITLE) 2.5mm WTb Wafer CONN. T/H D/R S/T Type 圖號 (DWG.NO) 92203-036XX-001	
表面處理 (FINISH)		製圖 (DR) Lin chia cheng 17/04/21 審核 (CHKD) Lee Kuang En 核准 (APPD) Lee Kuang En	
比例 (SCALE) 5:1 單位 (UNITS) mm		張數 (SHEET) 1 OF 1 大小 (SIZE) A4 版次 (REV) B	