

SECTION A-A Scale 4:1

- NOTES:  
 1. MATERIAL:  
 1.1 HOUSING: THERMOPLASTIC, HIGH TEMP.,UL94V-0; COLOR:Black.  
 1.2 CONTACT: COPPER ALLOY  
 1.3 FITTING NAIL: COPPER ALLOY  
 2. FINISH:  
 2.1 CONTACT:  
 UNDERPLATING: 50u" MIN. NICKEL OVERALL.  
 8:FINISH:GOLD 3u" MIN. ON CONTACT,GOLD FLASH ON SOLDER TAIL  
 M:FINISH:GOLD 3u" ON CONTACT ARER,GOLD 1u" ON SOLDER TAIL  
 C:15u" GOLD ON CONTACT AREA AND SOLDER FOR SELECTIVERNESS PLATING  
 T:10u" GOLD ON CONTACT AREA AND SOLDER FOR SELECTIVERNESS PLATING  
 K:30u" GOLD ON CONTACT AREA AND SOLDER FOR SELECTIVERNESS PLATING  
 2.2 FITTING NAIL:  
 UNDERPLATING: 50u" MIN. NICKEL OVERALL.  
 FINISH:100~200u" MATT TIN OVER ALL

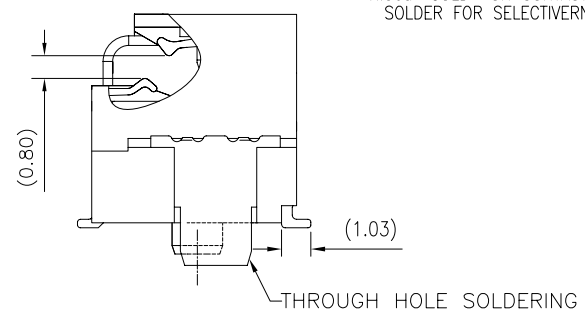
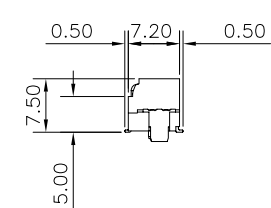
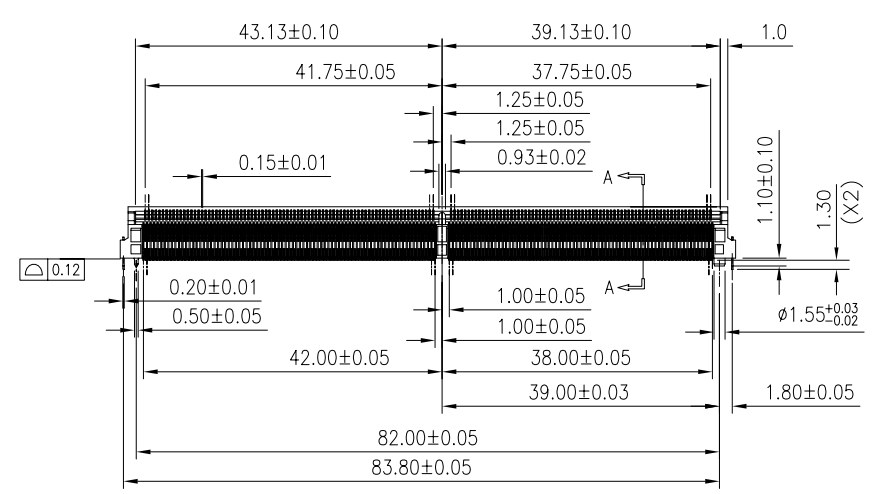
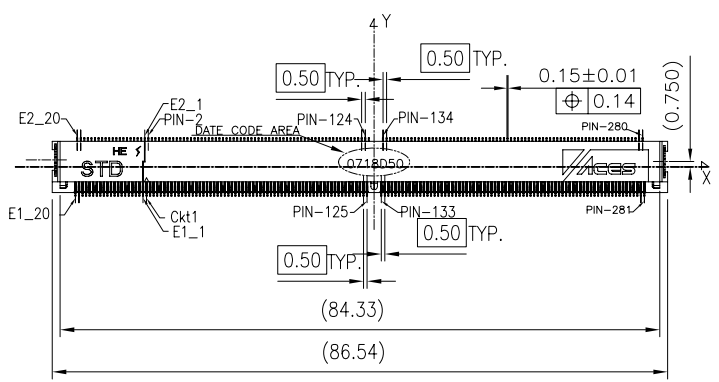
3. REFLOW SOLDER CAPABLE TO 260°C PER ACES SPEC.  
 4. ROHS COMPLIANT PRODUCT.  
 5. SPEC. PLS. REFER TO PS-91781-xxxxx  
 6. PACKING. SPEC. PLS. REFER TO 91782-314TRAY-01  
 7. PACKING SPEC. PLS. REFER TO 91782-314CR-05 OR 91782-314CR-5U  
 8. THE PCB WARPAGE : 0.05MAX.  
 9. THE PCB Coplanarity : 0.08MAX.(ex.86.54mm&CONN.LAYOUT AREA),  
 10. PART NUMBER

91782-XXX X X-XXX

XXX	F/N POLARIZATION	PACKING	PACKAGE
001	SMT (SEE SHEET-1)	SOFT TRAY OR REEL	91782-314CR-05
002	THROUGH HOLE(SEE SHEET-2)	SOFT TRAY OR REEL	91782-314CR-05
003	SMT (SEE SHEET-1)	HARD TRAY	91782-314Tray-01
004	SMT (SEE SHEET-1)	SOFT TRAY OR REEL	91782-314CR-5U

- NO OF CKT  
 314: 314 PIN
- PACKING  
 0:REEL  
 2:TRAY
- PLATING  
 8:GOLD 3u" MIN. ON CONTACT,  
 GOLD FLASH ON SOLDER TAIL  
 M:GOLD 3u" ON CONTACT ARER,  
 GOLD 1u" ON SOLDER TAIL  
 C:15u" GOLD ON CONTACT AREA AND  
 SOLDER FOR SELECTIVERNESS PLATING  
 T:10u" GOLD ON CONTACT AREA AND  
 SOLDER FOR SELECTIVERNESS PLATING  
 K:30u" GOLD ON CONTACT AREA AND  
 SOLDER FOR SELECTIVERNESS PLATING

一般公差 <b>TOLERANCES</b> X ±0.5 XX ±0.15 X ±0.25 XXX ±0.1 ANGLES ±2°		<b>宏致電子股份有限公司</b> <b>Aces Electronics Co.,Ltd.</b>	
檢驗尺寸標示 SYMBOLS  INDICATE CLASSIFICATION DIMENSION ◎ MARK IS CRITICAL DIM. ⊕ MARK IS MAJOR DIM.	品名 (TITLE) MXM-3 314 PINS 0.5mm PITCH EDGE CARD CONN. SMT D/R R/A STD TYPE H=7.5mm (BTB H=5.0)	製圖 (DR) TANGENHUI 15/09/11 審核 (CHKD) ANDREW	核准 (APPD) CHARLESLEE
圖號 (DWG.NO) 91782-314xx-xxx		張數 (SHEET) 1 OF 5	單位 (UNITS) mm 比例 (SCALE) 1:1 尺寸 (SIZE) A4 版次 (REV) F



SECTION A-A(SCALE 4:1)

- NOTES:
- MATERIAL:
    - HOUSING: THERMOPLASTIC, HIGH TEMP.,UL94V-0; COLOR:Black.
    - CONTACT: COPPER ALLOY
    - FITTING NAIL: COPPER ALLOY
  - FINISH:
    - CONTACT:
      - UNDERPLATING: 50u" MIN. NICKEL OVERALL.
      - FINISH:GOLD 3u" MIN. ON CONTACT,GOLD FLASH ON SOLDER TAIL
      - FINISH:GOLD 3u" ON CONTACT ARER,GOLD 1u" ON SOLDER TAIL
      - 15u" GOLD ON CONTACT AREA AND SOLDER FOR SELECTIVERNESS PLATING
      - 10u" GOLD ON CONTACT AREA AND SOLDER FOR SELECTIVERNESS PLATING
      - 30u" GOLD ON CONTACT AREA AND SOLDER FOR SELECTIVERNESS PLATING
    - FITTING NAIL:
      - UNDERPLATING: 50u" MIN. NICKEL OVERALL.
      - FINISH:100~200u" MATT TIN OVER ALL
  - REFLOW SOLDER CAPABLE TO 260°C PER ACES SPEC.
  - ROHS COMPLIANT PRODUCT.
  - SPEC. PLS. REFER TO PS-91781-xxxxx
  - PACKING. SPEC. PLS. REFER TO 91782-314xxTRAY-01
  - PACKING SPEC. PLS. REFER TO 91782-314CR-05 OR 91782-314CR-5U
  - THE PCB WARPAGE : 0.05MAX.
  - THE PCB Coplanarity : 0.08MAX.(ex.86.54mm&CONN.LAYOUT AREA),
  - PART NUMBER

91782-XXX X X-XXX

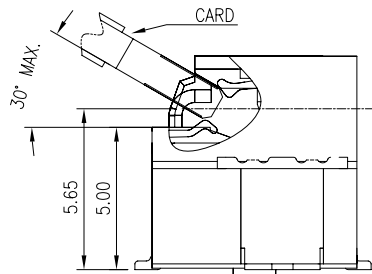
NO OF CKT  
314: 314 PIN

PACKING  
0:REEL  
2:TRAY

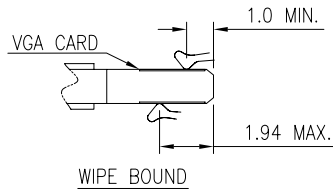
XXX	FIN POLARIZATION	PACKING	PACKAGE
001	SMT (SEE SHEET-1)	SOFT TRAY OR REEL	91782-314CR-05
002	THROUGH HOLE(SEE SHEET-2)	SOFT TRAY OR REEL	91782-314CR-05
003	SMT (SEE SHEET-1)	HARD TRAY	91782-314Tray-01
004	SMT (SEE SHEET-1)	SOFT TRAY OR REEL	91782-314CR-5U

PLATING  
8:GOLD 3u" MIN. ON CONTACT,  
GOLD FLASH ON SOLDER TAIL  
M:GOLD 3u" ON CONTACT ARER,  
GOLD 1u" ON SOLDER TAIL  
C:15u" GOLD ON CONTACT AREA AND  
SOLDER FOR SELECTIVERNESS PLATING  
T:10u" GOLD ON CONTACT AREA AND  
SOLDER FOR SELECTIVERNESS PLATING  
K:30u" GOLD ON CONTACT AREA AND  
SOLDER FOR SELECTIVERNESS PLATING

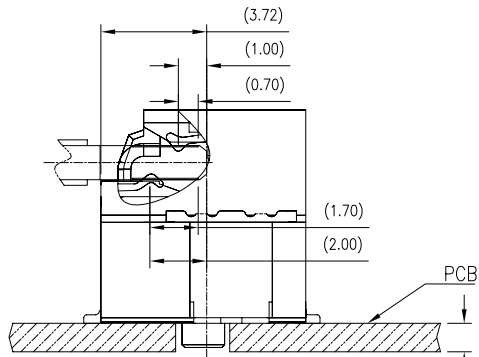
一般公差 <b>TOLERANCES</b> X ±0.5 XX ±0.15 X ±0.25 XXX ±0.1 ANGLES ±2°		<b>宏致電子股份有限公司</b> <b>Aces Electronics Co.,Ltd.</b>	
檢驗尺寸標示 SYMBOLS ① ② INDICATE CLASSIFICATION DIMENSION ① MARK IS CRITICAL DIM. ② MARK IS MAJOR DIM.	品名 (TITLE) MXM-3 314 PINS 0.5mm PITCH EDGE CARD CONN. SMT D/R R/A STD TYPE H=7.5mm (BTB H=5.0)	製圖 (DR) TANGENHUI 15/09/11 審核 (CHKD) ANDREW	圖號 (DWG.NO) 91782-314xx-xxx 核准 (APPD) CHARLESLEE
表面處理 (FINISH)	比例 (SCALE) 1:1	單位 (UNITS) mm	張數 (SHEET) 2 OF 5 尺寸 (SIZE) A4 版次 (REV) F



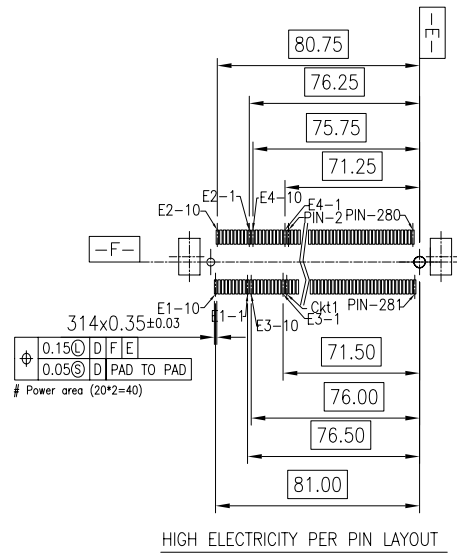
PCB 30° MAX In conn. Scale 4:1



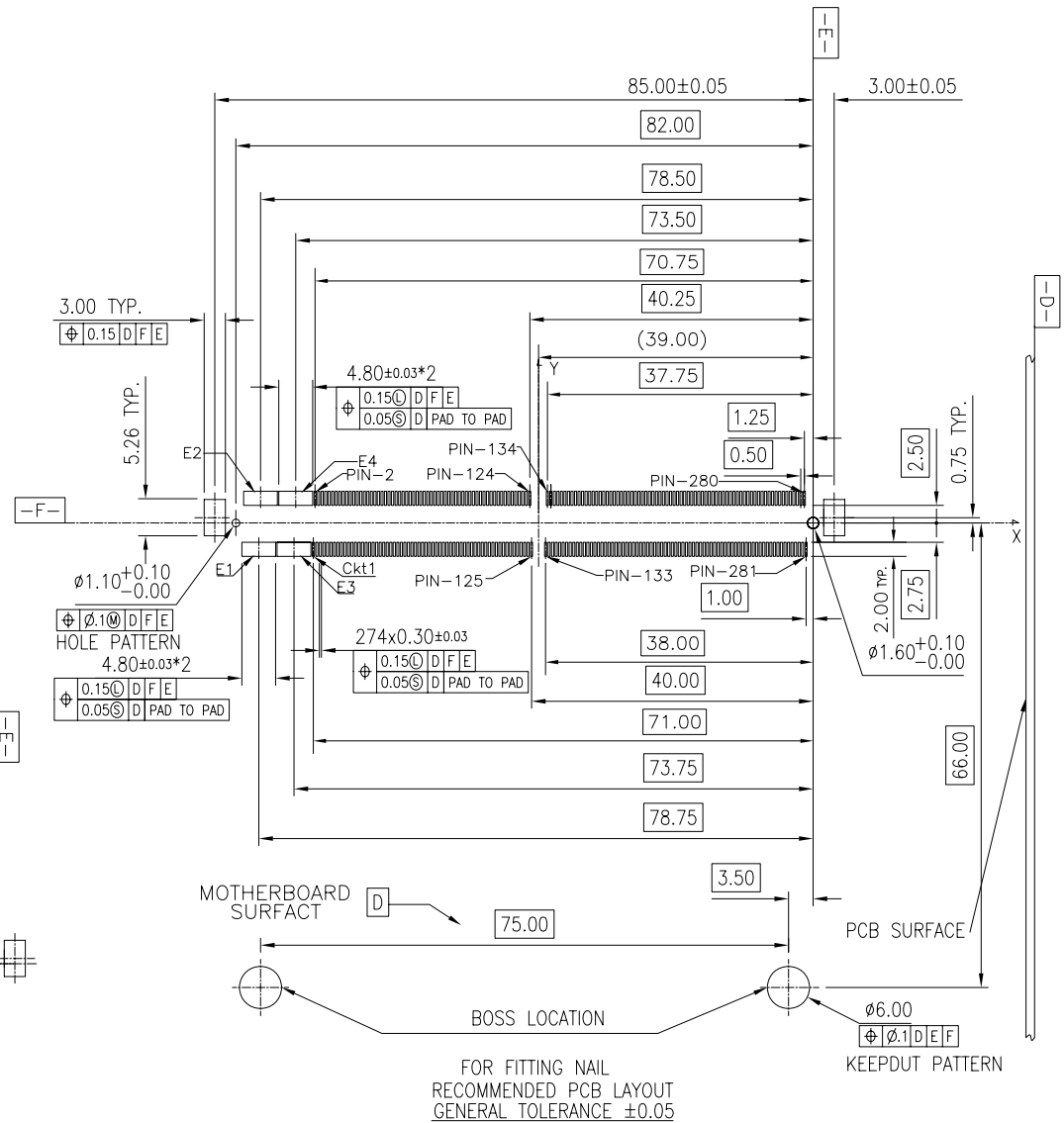
WIPE BOUND



PCB on 90° Scale 4:1

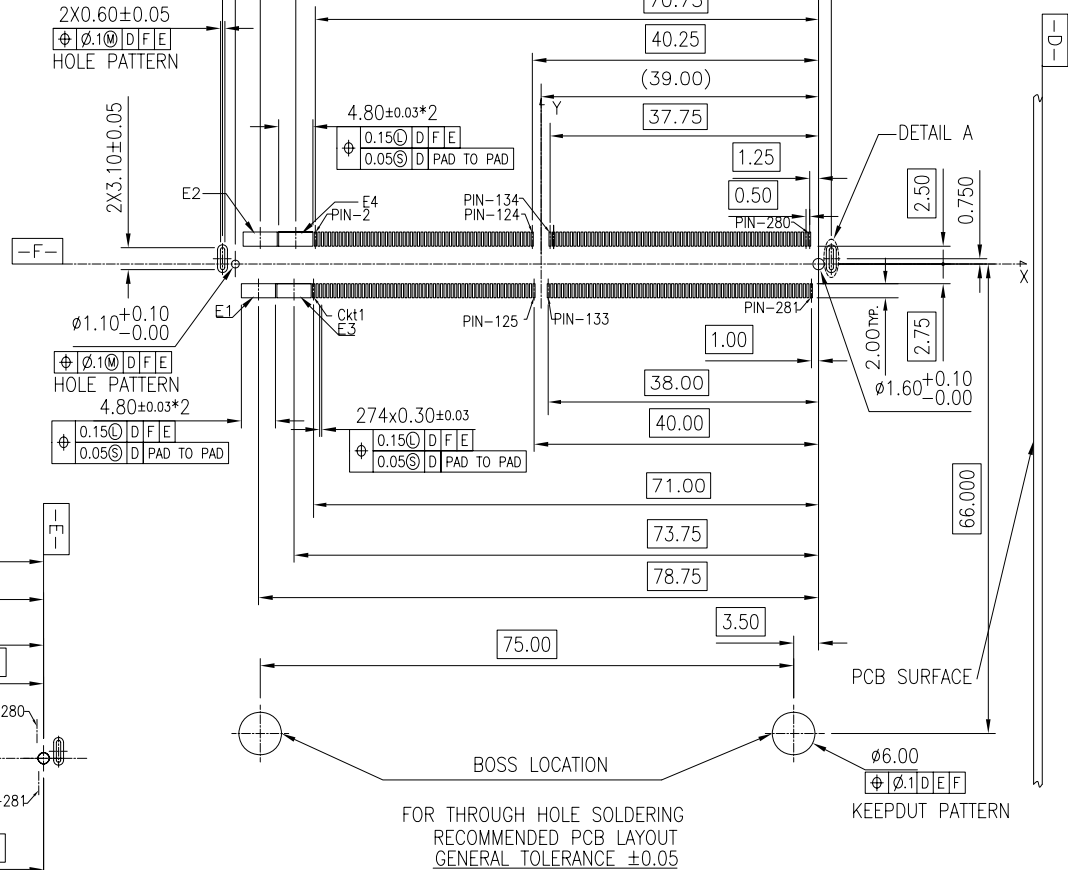
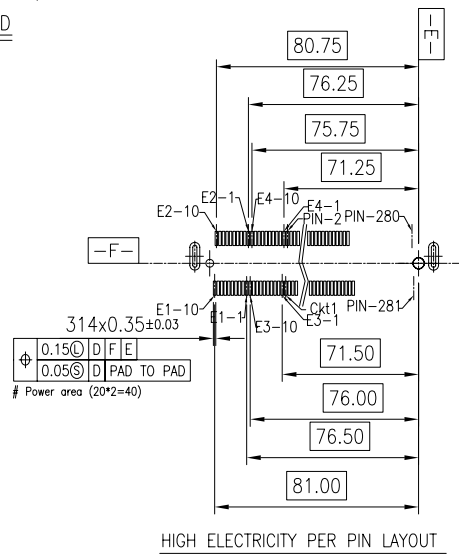
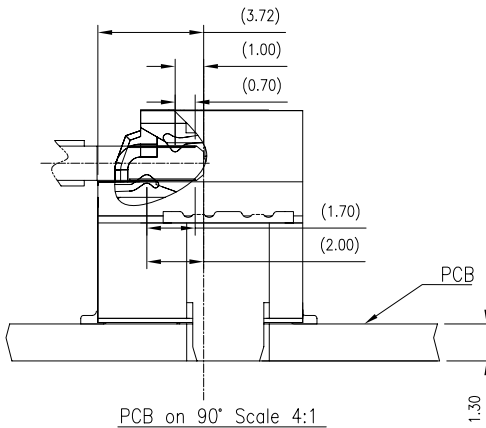
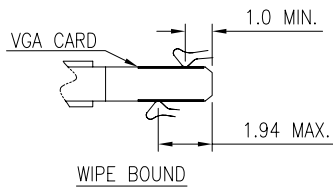
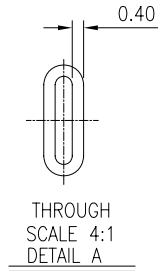
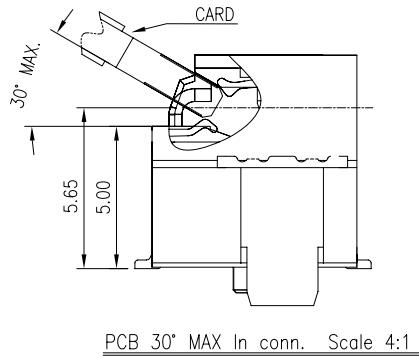


HIGH ELECTRICITY PER PIN LAYOUT



FOR FITTING NAIL  
RECOMMENDED PCB LAYOUT  
GENERAL TOLERANCE ±0.05

一般公差 <b>TOLERANCES</b> X ±0.5 XX ±0.15 X ±0.25 .XXX ±0.1 ANGLES ±2°		<b>宏致電子股份有限公司</b> <b>Aces Electronics Co.,Ltd.</b>	
檢驗尺寸標示 <b>SYMBOLS</b> Ⓞ Ⓢ INDICATE CLASSIFICATION DIMENSION Ⓞ MARK IS CRITICAL DIM. Ⓢ MARK IS MAJOR DIM.		品名 (TITLE) MXM-3 314 PINS 0.5mm PITCH EDGE CARD CONN. SMT D/R R/A STD TYPE H=7.5mm (BTB H=5.0)	
圖號 (DWG.NO) 91782-314xx-xxx		製圖 (DR) TANGENHUI 15/09/11 審核 (CHKD) ANDREW	
表面處理 (FINISH)		核准 (APPD) CHARLESLEE	
比例 (SCALE) 1:1		單位 (UNITS) mm	
張數 (SHEET) 3 OF 5		尺寸 (SIZE) A4 版次 (REV) F	



一般公差  
TOLERANCES  
X ±0.5 .XX ±0.15  
X ±0.25 .XXX ±0.1  
ANGLES ±2°

宏致電子股份有限公司  
Aces Electronics Co.,Ltd.

檢驗尺寸標示  
SYMBOLS Ⓞ INDICATE CLASSIFICATION DIMENSION  
Ⓢ MARK IS CRITICAL DIM.  
Ⓢ MARK IS MAJOR DIM.

品名 (TITLE)  
MXM-3 314 PINS 0.5mm PITCH EDGE CARD CONN.  
SMT D/R R/A STD TYPE H=7.5mm (BTB H=5.0)

製圖 (DR) TANGENHUI  
15/09/11  
審核 (CHKD) ANDREW

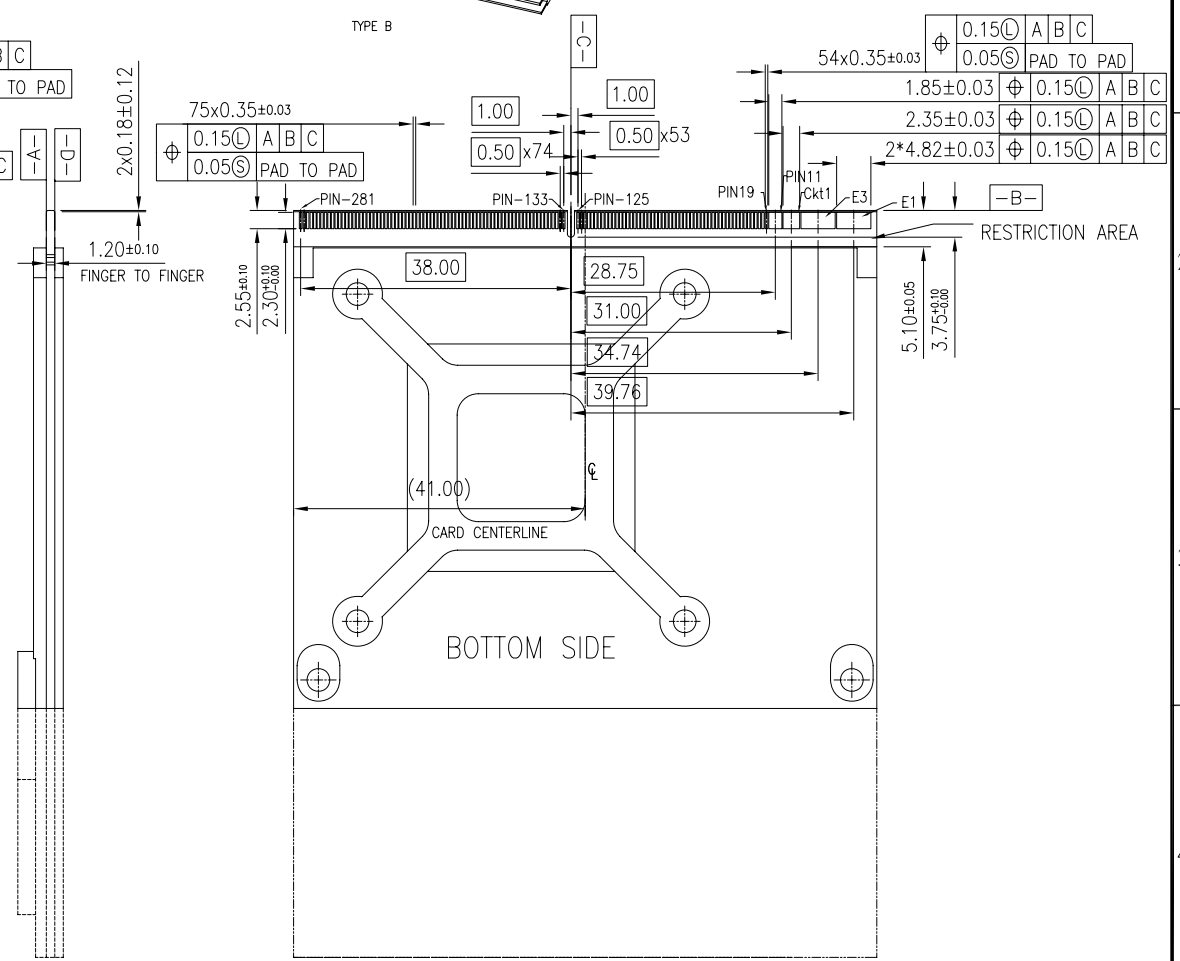
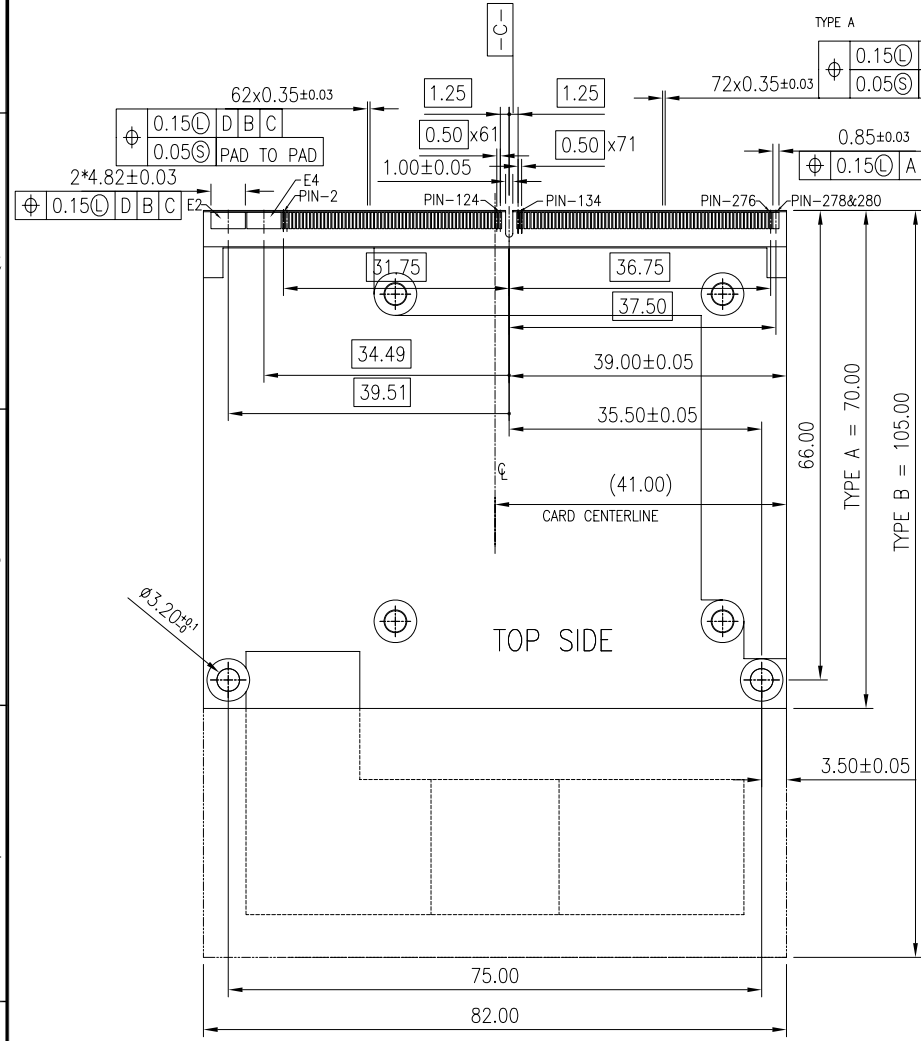
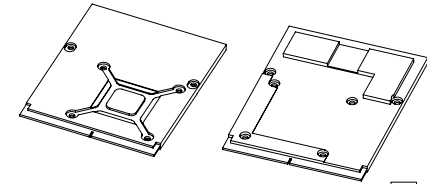
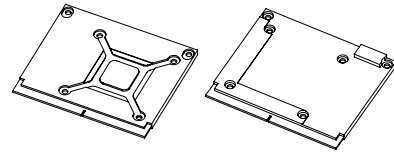
圖號 (DWG.NO)  
91782-314xx-xxx

核准 (APPD) CHARLESLEE

表面處理 (FINISH)

比例 (SCALE) 1:1  
單位 (UNITS) mm

張數 (SHEET) 4 OF 5  
SIZE A4  
REV F



MXM-3 314PIN GOLD FINGER  
 MXM-3 MAX 321 CONTACT LOCATION  
 314 USEABLE (7 LOST TO KEY)

一般公差 <b>TOLERANCES</b> X ±0.5 XX ±0.15 X ±0.25 XXX ±0.1 ANGLES ±2°		<b>宏致電子股份有限公司</b> <b>Aces Electronics Co.,Ltd.</b>	
檢驗尺寸標示 <b>SYMBOLS</b> Ⓞ Ⓟ INDICATE CLASSIFICATION DIMENSION Ⓞ MARK IS CRITICAL DIM. Ⓟ MARK IS MAJOR DIM.		品名 (TITLE) MXM-3 314 PINS 0.5mm PITCH EDGE CARD CONN. SMT D/R R/A STD TYPE H=7.5mm (BTB H=5.0)	
圖號 (DWG.NO) 91782-314xx-xxx		製圖 (DR) TANGENHUI 15/09/11 審核 (CHKD) ANDREW	
表面處理 (FINISH)		核准 (APPD) CHARLESLEE	
比例 (SCALE) 1:1		單位 (UNITS) mm	
		張數 (SHEET) 5 OF 5 SIZE A4 REV F	