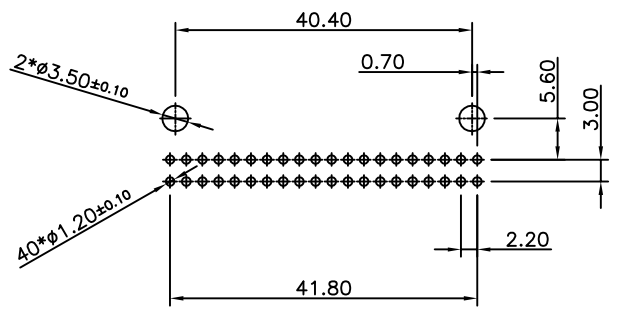
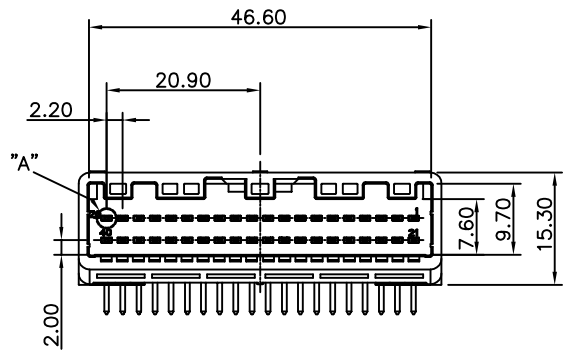
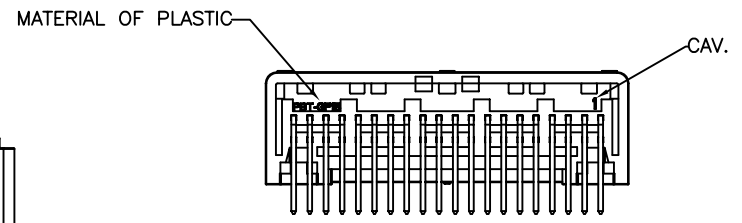
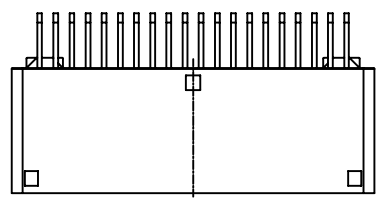
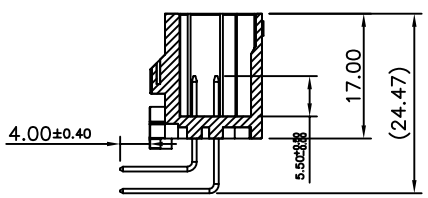
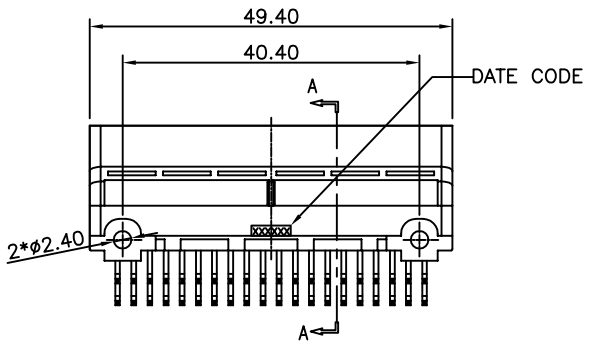


A B C D E F



RECOMMEND PCB LAYOUT
GENERAL TOLERANCE ±0.05



SECTION A-A

- NOTES:
- MATERIAL:
 - MATERIAL: PBT, UL 94-HB, COLOR IS NATURAL.(WHITE)
 - CONTACT: BRASS
 - FINISH:
 - 10u" Min. NICKEL PLATING OVERALL
 - 50u" Min. Tin PLATING OVERALL
 - THE CAVITY, LOGO MAX HEIGHT 0.10mm ABOVE SURFACE. THE TEXT HEIGHT IS ABOUT 1mm.
 - IF ANY DIMENSIONS OR DRAFT ANGLES WEREN'T MARKED, PLS. REFER TO 3D DRAWING
 - RECOMMENDED SCREW: PAN-HEADED, TAPPING SCREW OF DIA 3mm, LENGTH: SEE TABLE A
 - SPEC. PLS. REFER TO SPEC-91235-XXXX
 - PACKAGE PLS. REFER TO 91235-040XX-TRAY
 - PART NUMBER

91235-040 X X -CA1

NO OF CKT: X
PACKING: X
1:TUBE
2:TRAY

PLATING: X
3: PURE TIN(LEAD FREE)

8. DATE CODE 編碼原則:

91235-040XX-CA1

年份代碼: 0=2010年
月份代碼: A(1月), B(2月)...
日期代碼: 8=08號
廠別代碼:
重工業代碼: "&" "_" 非重工業代碼為空白

廠別代碼:
T=TW-台灣
D=DG-東莞
E=KS-昆山長江廠
K=KS-昆山青陽廠
G=CG-重慶

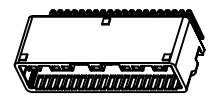
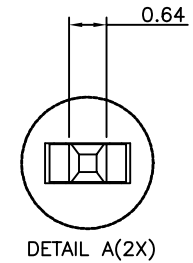


TABLE A

PCB THICKNESS (mm)	1.2	1.6
NOMINAL LENGTH OF SCREW(mm)	5	6

一般公差 TOLERANCES X ±0.5 XX ±0.15 X ±0.25 XXX ±0.1 ANGLES ±2°		宏致電子股份有限公司 Aces Electronics Co.,Ltd.	
檢驗尺寸標示 SYMBOLS (M) (L) INDICATE CLASSIFICATION DIMENSION (M) MARK IS CRITICAL DIM. (L) MARK IS MAJOR DIM.	品名 (TITLE) 2.2MM PITCH WTB WAFER CONN.	製圖 (DR) 17/08/14 審核 (CHKD) Lee Kuang En	Lin Chia Cheng
	圖號 (DWG.NO) 91235-040XX-CA1	核准 (APPD) Lee Kuang En	
表面處理 (FINISH)	比例 (SCALE) 單位 (UNITS) 4:1 mm	張數 (SHEET) 1 OF 1	尺寸 (SIZE) 版本 (REV) A4 C

A B C D E F