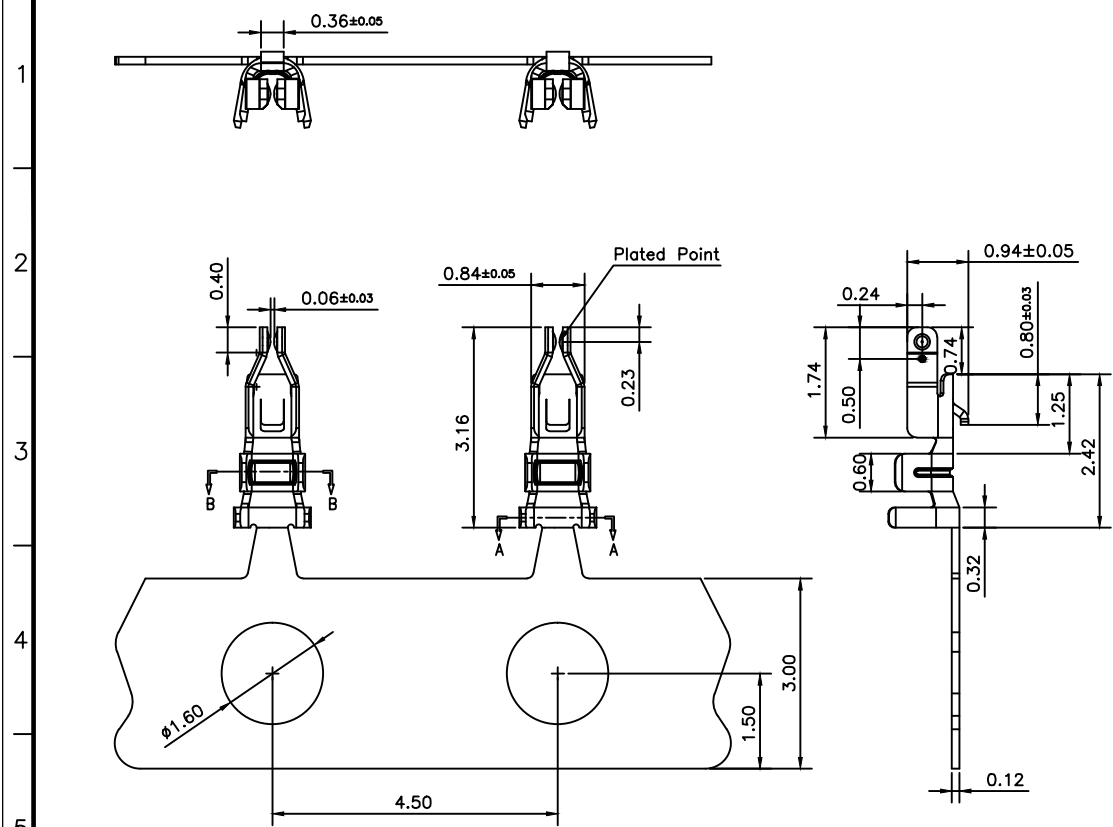


A | B | C | D | E | F | G | H | I | J

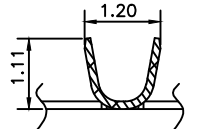


NOTES :

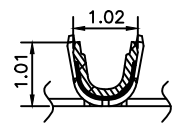
1. MATERIAL IS COPPER ALLOY (T=0.12mm)
2. PLATING :
 - 2.1: 50u" MIN NICKEL UNDER PLATING OVER ALL
 - 1: GOLD FLASH 1u" MIN. ON PLATED AREA
 - A: 3u"MIN GOLD ON PLATED AREA
 - N: 100u"MIN MATT TIN ON PLATED AREA
 - 2.2: 100u" MIN NICKEL UNDER PLATING OVER ALL
 - T: 10u"MIN GOLD ON PLATED AREA
3. WIRE RANGE: SUITABLE FOR
 - UL3302 AWG#28 OD=0.6mm
 - UL3302 AWG#30 OD=0.7mm
 - UL3302 AWG#32 OD=0.55mm
 CURRENT RATING: 1AMPERES (PER PIN)
4. CRIMPING SPEC. PLS. REFER TO PS-50269-XXXX-XX;
5. CRIMPING TOOLING REF.:
 - A. CONDUCTOR CRIMPIN: W=0.85mm(REF.)
 - B. INSULATOR CRIMPING: W=0.90mm(REF.)
6. AFTER CRIMPING, CONTROL TERMINAL LENGTH: 1.0mm MAX.
7. PART NUMBER

91224-000 X X

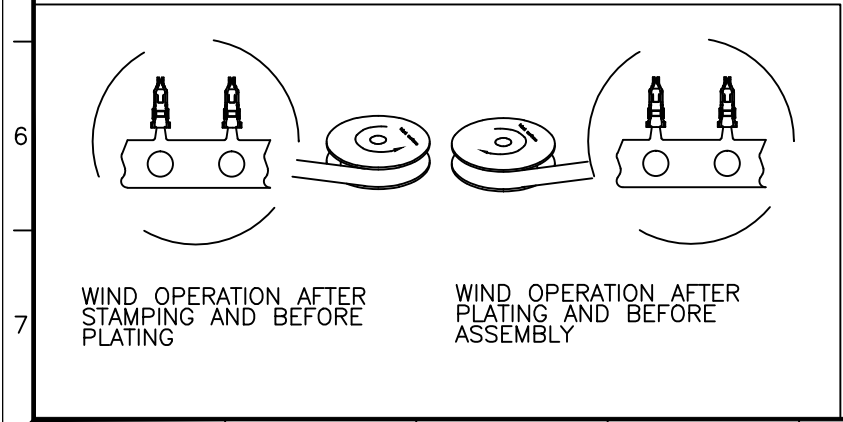
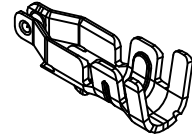
PLATING
 N: 100u"MIN MATT TIN ON PLATED AREA
 1:GOLD FLASH
 A:3u"GOLD
 T:10u"MIN GOLD ON PLATED AREA
 PACKING
 0:TAPE&Reel



SECTION A-A



SECTION B-B



QUALITY SYMBOLS MAJOR Ⓜ CRITICAL Ⓢ	DRAWN BY YanJinXiu	DATE 21'101/21	ACES ELECTRONICS
GENERAL TOLERANCES (UNLESS SPECIFIED)	CHECKED BY	DATE	
X. ±0.5 .X ±0.25 .XX ±0.15 .XXX ±0.1 ANGLES ±2°	APPROVED BY	DATE	TITLE
	UNITS mm	SCALE 10:1	SIZE A4
	SHEET NO. 1 OF 1	REV G	DWG NO. 91224-000XX

TERMINAL FOR 1.2mm WTB CONN.