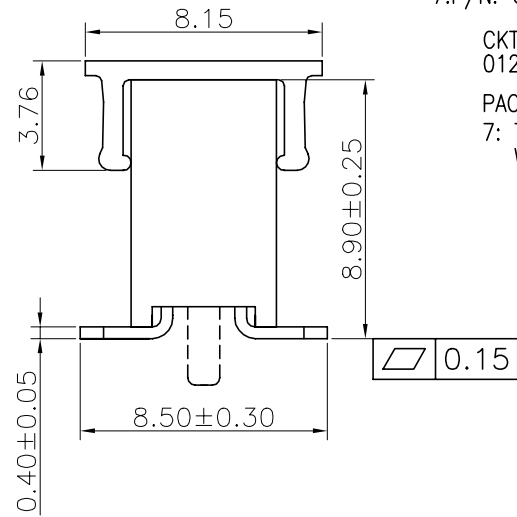


DIM. D	CKTS
4.00mm	006
10.15mm	008~080

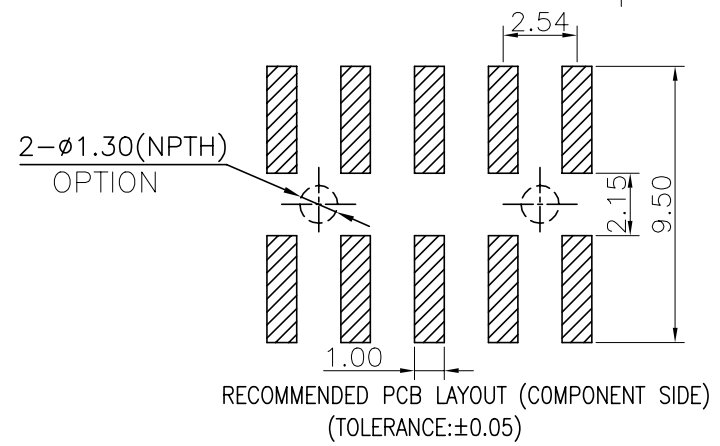


NOTES:
 1.MATERIAL:
 1.1 HOUSING: SEE TABLE
 1.2 CONTACTS: SEE TABLE
 2.FINISH:
 2.1 CONTACT: SEE P/N
 3.THE CONNECTOR IS RoHS COMPLIANT.
 4.BURR IS 0.5mm MAX.
 5.SPEC. PLS. REFER TO PS-60002-XXXXX-XXX
 6.PACKAGE PLS. REFER TO 60247-XXXXX-XXX-PCK
 7.P/N: 60247-XXX X X-XXX

CKTS _____
 012~030 PINS _____
 PACKING _____
 7: TAPE & REEL WITH COVER _____

_____ 001: W/O BOSS
 _____ 002: WITH BOSS

PLATING:
 1:GOLD FLASH OVER ALL



B	TERMINAL		COPPER ALLOY	SEE P/N
A	HOUSING	1	HIGH TEMP. THERMOPLASTIC	UL 94V-0, BLACK
NO	DESCRIPTION	Q'TY	MATERIAL	PLATING & COLOR
QUALITY SYMBOLS		DRAWN BY	DATE	
MAJOR Ⓢ		LYU JIA YING	'19/09/27	
CRITICAL Ⓢ		CHECKED BY	DATE	TITLE 2.54mm FEMALE HEADER CONN. SMT D/R S/T TYPE
GENERAL TOLERANCES (UNLESS SPECIFIED)		TENG CHANG HO	'19/09/27	
X. ±0.5		APPROVED BY	DATE	SIZE A4
.XX ±0.25		KUO JUNG HSUN	'19/09/27	
.XX ±0.15		UNITS	mm	RFG NO. N/A
.XXX ±0.1		SCALE	X : X	
ANGLES ±2°		SHEET NO.	1 OF 1	REV B
TOLERANCES: ±0.30		DWG NO.	60247-XXXXX-XXX	