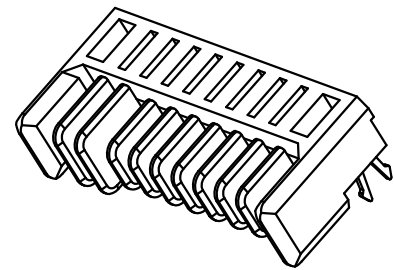


RECOMMENDED P.C.B. LAYOUT
P.C.B THICKNESS T=1.20mm
TOLERANCE ±0.05 mm

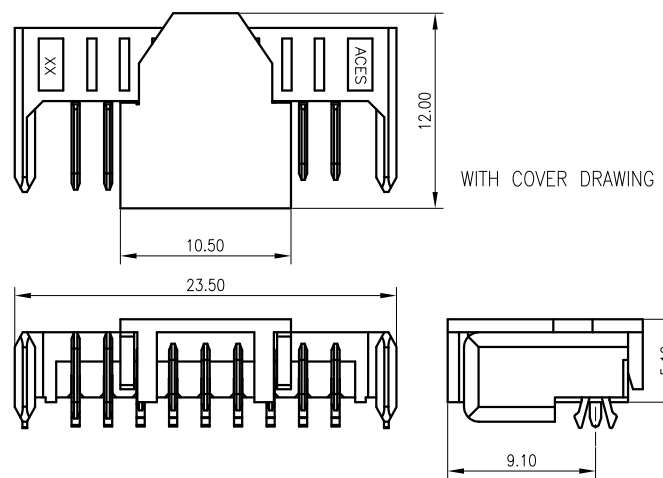


- NOTES:
- RATINGS
 - VOLTAGE: 30V AC,DC
 - CURRENT:5.0A AC,DC
 - ELECTRICAL
 - INSULATION RESISTANCE:500 MΩ MIN
 - DIELECTRIC WITHSTANDING VOLTAGE:500V AC MIN
 - CONTACT RESISTANCE:INITIAL20 mΩ MAX,AFTER TEST 40 MΩ MAX
 - TEMPERATURE RISE:30°C MAX.CHANGE ALLOWED
 - MATERIAL:
 - HOUSING: THERMOPLASTIC, HIGH TEMP.,UL94V-0.
 - CONTACT: COPPER ALLOY.
 - HOOK: COPPER ALLOY.
 - FINISH:
 - CONTACT:
 - 50~100u" MIN. NICKEL UNDERPLATING OVERALL.
 - 5u" GOLD ON CONTACT AND GOLD FLASH ON SOLDER AREA
 - HOOK:
 - 50~100u" MIN. NICKEL UNDER PLATING OVER ALL
 - 100u" MIN. MATT TIN PLATING OVER ALL
 - REFLOW SOLDER CAPABLE TO 260°C PER ACES SPEC.
 - SPEC.PLS REFER TO PS-53039-XXXX-XXX
 - PACKAGE PLS REFER TO 53039-XXXX-XX-TRP
 - PART NUMBER

53039-XXX X X-XXX



- 0:TAPE & REEL
7:TAPE & REEL WITH COVER
8:TBU WITH COVER
- B:5u" GOLD PLATING ON CONTACT AND GOLD FLASH ON SOLDER AREA



一般公差 TOLERANCES X ±0.5 XX ±0.15 X ±0.25 .XXX ±0.1 ANGLES ±2°		宏致電子股份有限公司 Aces Electronic Co.,Ltd.	
檢驗尺寸標示 SYMBOLS INDICATE CLASSIFICATION DIMENSION MARK IS CRITICAL DIM. MARK IS MAJOR DIM.	品名 (TITLE) 2.00mm Battery Conn. Male DIP R/A Type 圖號 (DWG.NO) 53039-XXXX-XXX	製圖 (DR) 12/09/12 審核 (CHKD) CARL 核准 (APPD) Jason	FengXiao CARL Jason
表面處理 (FINISH)	比例 (SCALE) 1:1	單位 (UNITS) mm	張數 (SHEET) 1 OF 1 尺寸 (SIZE) A4 版次 (REV) 0