

NOTES:

1. MATERIAL:

- 1.1 HOUSING: THERMOPLASTIC, HIGH TEMP.,UL94V-0.
- 1.2 TERMINAL: COPPER ALLOY.
- 1.3 FITTING NAIL: COPPER ALLOY.

2. FINISH:

2.1 TERMINAL:

- 50u" MIN. NICKEL UNDERPLATING OVERALL.
- GOLD FLASH PLATING ON CONTACT AREA,
- 100u" MIN MATT TIN PLATING ON SOLDER AREA.

2.2 FITTING NAIL:

- 50u" MIN. NICKEL UNDER PLATING OVER ALL
- 100u" MIN. MATT TIN PLATING

3. REFLOW SOLDER CAPABLE TO 260°C PER ACES SPEC.

4. SPEC.PLS REFER TO PS-53027-XXXXX-XXX

5. PACKAGE PLS REFER TO 53027-XXXXX-03-TRP

6. PART NUMBER

53027-XXX X X-XXX

NO OF CKT

008: 8PIN

PACKING

0:TAPE & REEL

1:TUBE

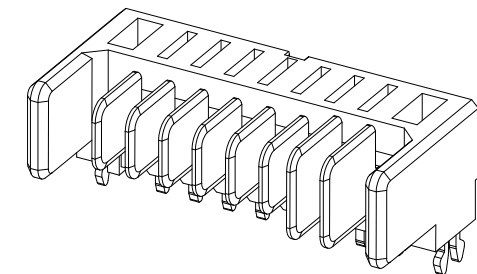
7:TAPE & REEL WITH COVER

8:TUBE WITH COVER

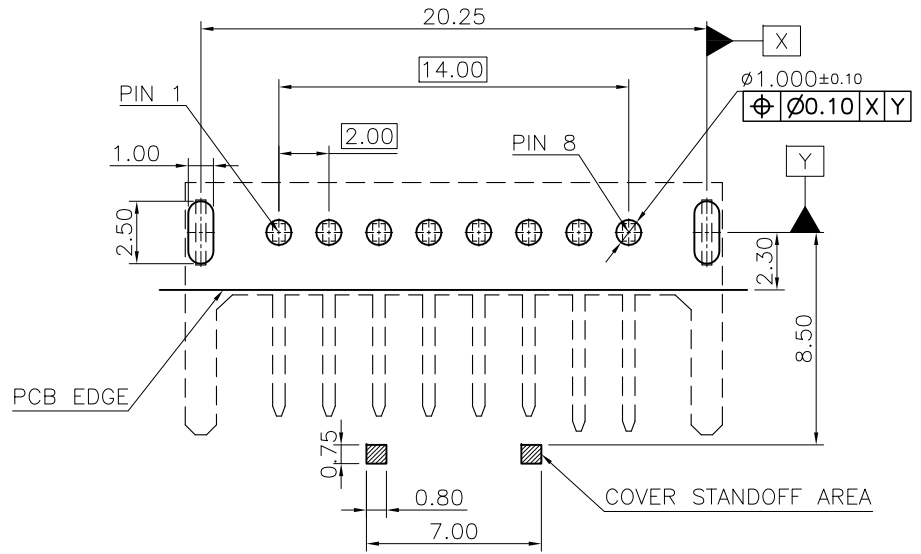
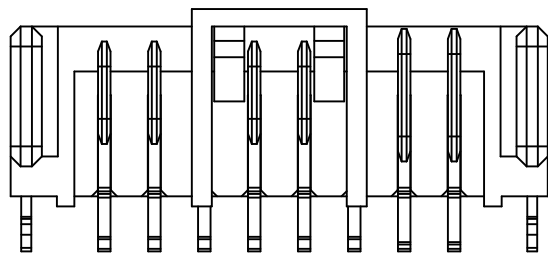
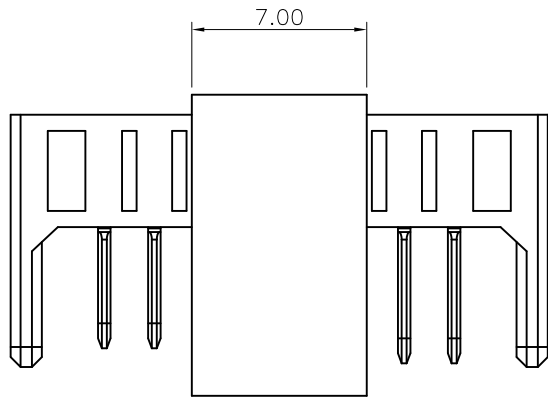
XXX	COLOR	MATERIAL	HF
001	BLACK	HF PLASTIC	Y

PLATING

- 2:GOLD FLASH ON CONTACT
- MATT TIN ON SOLDER AREA

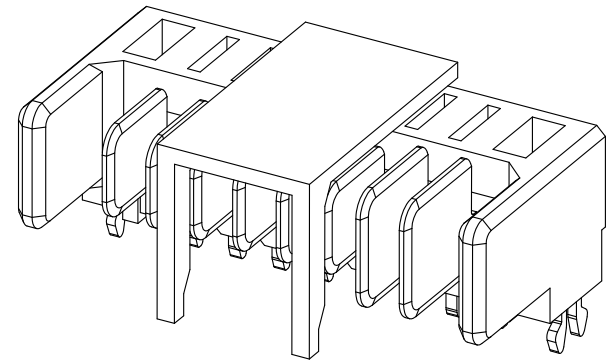
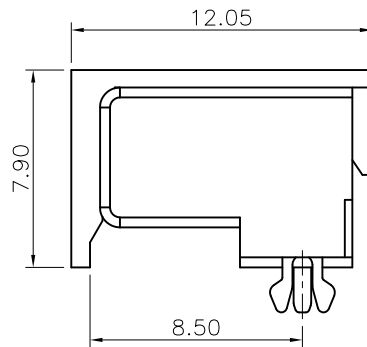


一般公差 TOLERANCES X: ±0.50 .XX: ±0.15 X: ±0.25 .XXX: ±0.10 ANGLES: ±2°		宏致電子股份有限公司 Aces Electronic Co.,Ltd.	
檢驗尺寸標示 SYMBOLS INDICATE CLASSIFICATION DIMENSION	品名 (TITLE) 2.0mm BATTERY CONN T/H TYPE	製圖 (DR) 12/07/11 審核 (CHKD) TONY	Huanty
MARK IS CRITICAL DIM. MARK IS MAJOR DIM.	圖號 (DWG.NO) 53027-XXXXX-XXX	核准 (APPD) JASON	
表面處理 (FINISH)	比例 (SCALE) 單位 (UNITS) 4:1 mm		張數 (SHEET) 1 OF 2 尺寸 (SIZE) A4 版次 (REV) 0



RECOMMEND PCB LAYOUT(T=1.2mm)

TOLERANCE $\pm 0.05\text{mm}$



WITH COVER

一般公差 TOLERANCES X ± 0.50 .XX ± 0.15 X ± 0.25 .XXX ± 0.10 ANGLES $\pm 2^\circ$		宏致電子股份有限公司 Aces Electronic Co.,Ltd.	
檢驗尺寸標示 SYMBOLS \oplus \ominus INDICATE CLASSIFICATION DIMENSION	品名 (TITLE) 2.0mm BATTERY CONN T/H TYPE	製圖 (DR) 12/07/11 審核 (CHKD) TONY	核准 (APPD) JASON
\oplus MARK IS CRITICAL DIM. \ominus MARK IS MAJOR DIM.	圖號 (DWG.NO) 53027-XXXXX-XXX	張數 (SHEET) 2 OF 2	
表面處理 (FINISH)	比例 (SCALE) 單位 (UNITS) 4:1 mm		尺寸 (SIZE) REV A4 0