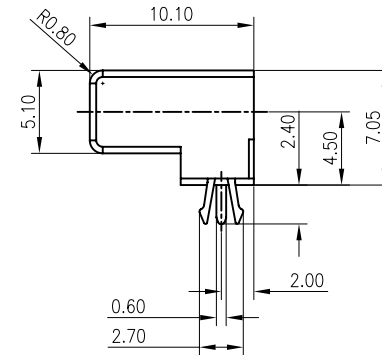


RECOMMENDED P.C.B. LAYOUT
TOLERANCE ± 0.05 mm



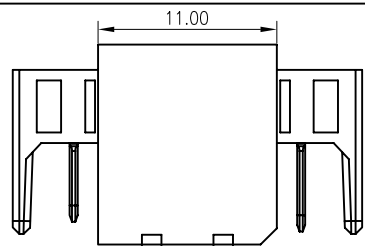
NOTES:

- MATERIAL:**
 - HOUSING: THERMOPLASTIC, HIGH TEMP., UL94V-0.
 - CONTACT: COPPER ALLOY.
 - HOOK: COPPER ALLOY.
 - COVER: THERMOPLASTIC, UL94V-0.
- FINISH:**
 - CONTACT:** 50~100u" MIN. NICKEL UNDERPLATING OVERALL. GOLD FLASH ON CONTACT
 - SOLDER:** 50~100u" MIN. NICKEL UNDERPLATING OVERALL. 100~200u" MATT TIN ON SOLDER PLATING
 - HOOK:** 50~100u" MIN. NICKEL UNDER PLATING OVER ALL. 100u" MIN. MATT TIN PLATING
- REFLOW SOLDER CAPABLE TO 260°C PER ACES SPEC.
- SPEC. PLS REFER TO PS-53015-XXXX-XXX
- PACKAGE PLS REFER TO 53015-008xx-xxx-TRP
- PART NUMBER

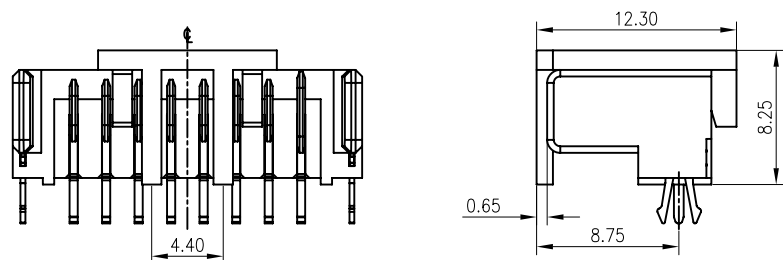
53015-008 X X-XXX
 CKTS 008:8PIN
 PACKING 0:TAPE & REEL
 7:TAPE & REEL WITH COVER
 8:TUBE WITH COVER

XXX	Housing Color
001	Black

PLATING
1: GOLD PLATED ON CONTACT(LEAD FREE)



WITH COVER



一般公差 TOLERANCES X ± 0.5 XX ± 0.15 X ± 0.25 .XXX ± 0.1 ANGLES $\pm 2^\circ$		宏致電子股份有限公司 Aces Electronic Co.,Ltd.	
檢驗尺寸標示 SYMBOLS $\text{\textcircled{C}}$ $\text{\textcircled{M}}$ INDICATE CLASSIFICATION DIMENSION MARK IS CRITICAL DIM. MARK IS MAJOR DIM.		品名 (TITLE) 2.0mm PITCH BATTERY CONN. 8 PIN, DIP TYPE, H=7.05mm 圖號 (DWG.NO) 53015-008xx-xxx	
表面處理 (FINISH)		製圖 (DR) CHENBO 12/6/9 審核 (CHKD) TONY 核准 (APPD) Jason	
比例 (SCALE) 1:1 單位 (UNITS) mm		張數 (SHEET) 1 OF 1 圖號 (DWG.NO) 53015-008xx-xxx 尺寸 (SIZE) A4 版次 (REV) 0	