



53006-XXX X X-XXX

NO OF CKT

XXX	COLOR	MATERIAL	HF
001	BLACK	HF PLASTIC	Y

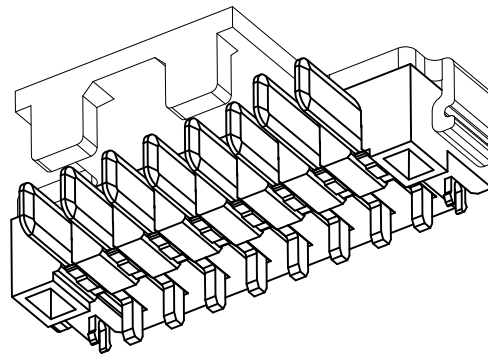
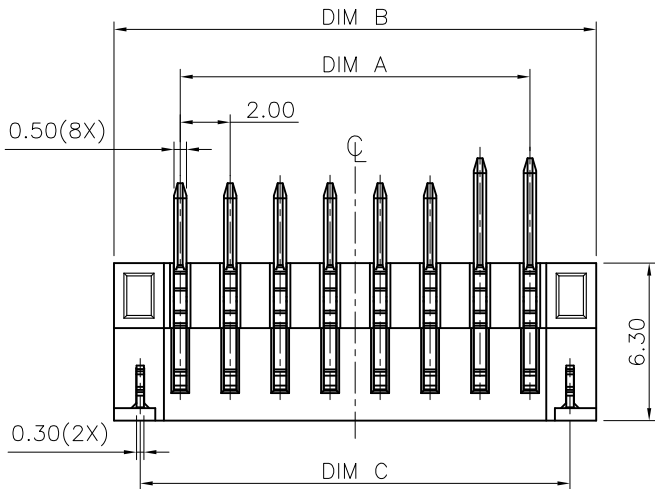
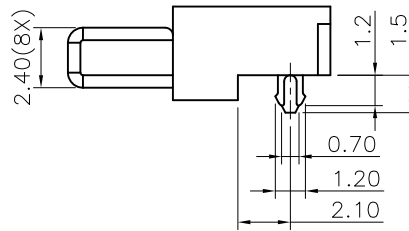
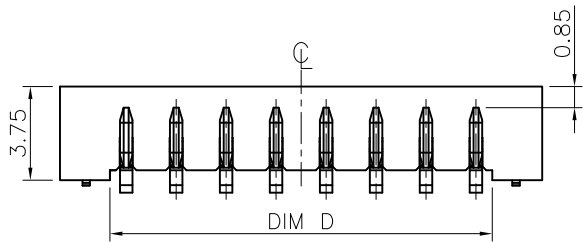
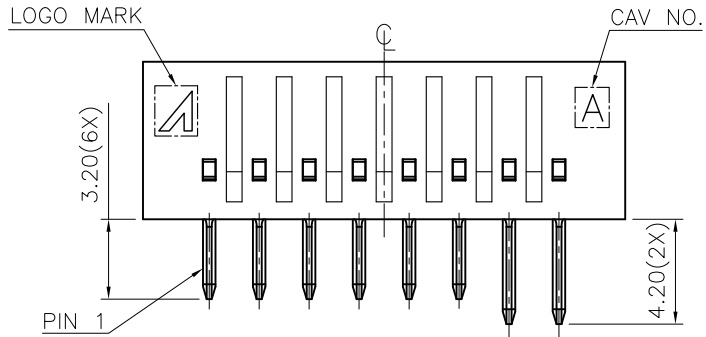
PACKING

- 0:TAPE & REEL
- 1:TUBE
- 7:TAPE & REEL WITH COVER
- 8:TUBE WITH COVER

PLATING
1: GOLD FLASH

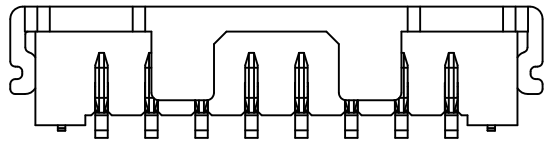
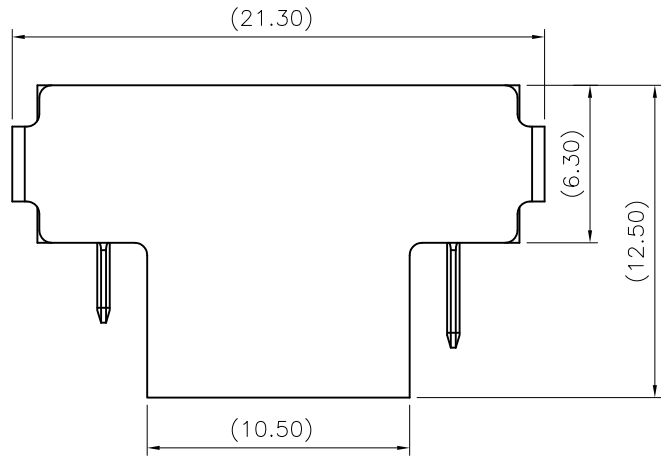
NOTES:

1. MATERIAL:
 - 1.1 HOUSING: THERMOPLASTIC, HIGH TEMP.,UL94V-0.
 - 1.2 TERMINAL: COPPER ALLOY.
 - 1.3 FITTING NAIL: COPPER ALLOY.
2. FINISH:
 - 2.1 TERMINAL:
 - 50u" MIN. NICKEL UNDERPLATING OVERALL.
 - GOLD FLASH PLATING
 - 2.2 FITTING NAIL:
 - 50u" MIN. NICKEL UNDER PLATING OVER ALL
 - 100u" MIN. PURE TIN PLATING
3. REFLOW SOLDER CAPABLE TO 260°C PER ACES SPEC.
4. SPEC.PLS REFER TO PS-53006-XXXXX-XXX
5. PACKAGE PLS REFER TO 53006-XXXXX-TRP (FOR WITHOUT COVER P/N USE) OR 53006-XXXXX-03-TRP(FOR WITH COVER P/N USE)
6. PART NUMBER

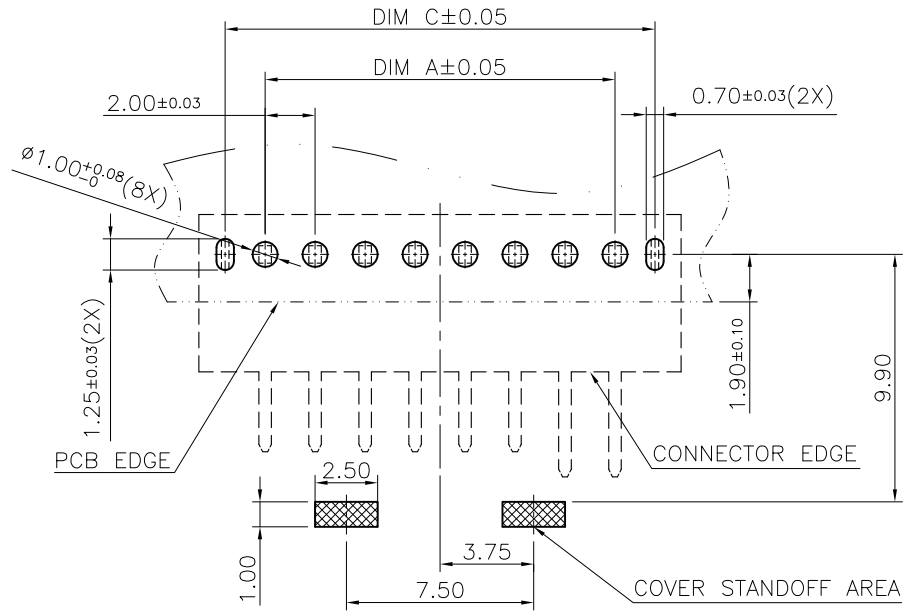


WITH COVER

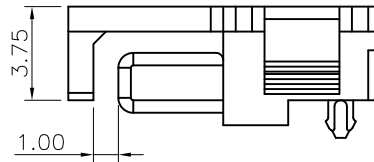
CKTS	DIM A	DIM B	DIM C	DIM D	M/SIZE
8	14.00	19.30	17.20	15.30	10.00
一般公差 TOLERANCES X ±0.50 .XX ±0.15 X ±0.25 .XXX ±0.10 ANGLES ±2°		宏致電子股份有限公司 Aces Electronic Co.,Ltd.			
檢驗尺寸標示 SYMBOLS ⊕ ⊗ INDICATE CLASSIFICATION DIMENSION ⊕ MARK IS CRITICAL DIM. ⊗ MARK IS MAJOR DIM.		品名 (TITLE) 2.0mm BATTERY CONN T/H TYPE 圖號 (DWG.NO) 53006-XXXXX-XXX		製圖 (DR) 12/06/08 Huanty 審核 (CHKD) TONY 核准 (APPD) JASON	
表面處理 (FINISH)		比例 (SCALE) 4:1 單位 (UNITS) mm		張數 (SHEET) 1 OF 2 圖號 (DWG.NO) 53006-XXXXX-XXX 圖號 (DWG.NO) 53006-XXXXX-XXX 圖號 (DWG.NO) 53006-XXXXX-XXX	



WITH COVER



RECOMMEND PCB LAYOUT
TOLERANCE ±0.05mm



一般公差 TOLERANCES X ±0.50 .XX ±0.15 X ±0.25 .XXX ±0.10 ANGLES ±2°		宏致電子股份有限公司 Aces Electronic Co.,Ltd.	
檢驗尺寸標示 SYMBOLS (M) (C) INDICATE CLASSIFICATION DIMENSION	品名 (TITLE) 2.0mm BATTERY CONN T/H TYPE	製圖 (DR) 12/06/08 審核 (CHKD) TONY	Huanty
(M) MARK IS CRITICAL DIM. (C) MARK IS MAJOR DIM.	圖號 (DWG.NO) 53006-XXXXX-XXX	核准 (APPD) JASON	
表面處理 (FINISH)	比例 (SCALE) 單位 (UNITS) 4:1 mm		張數 (SHEET) 2 OF 2 尺寸 (SIZE) A4 版數 (REV) 0