

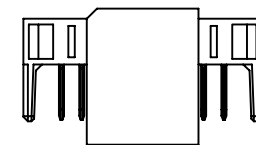
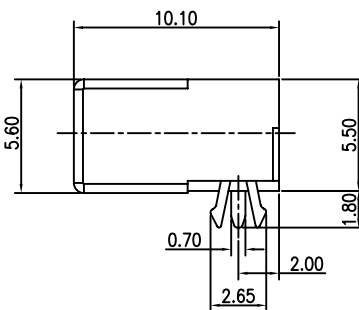
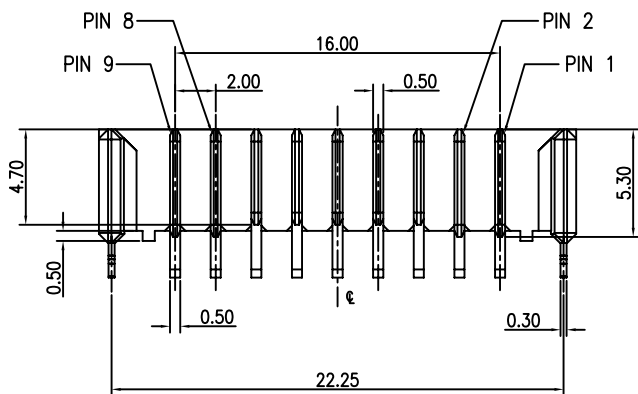
RECOMMENDED PCB LAYOUT
GENERAL TOLERANCE ± 0.05

NOTES:

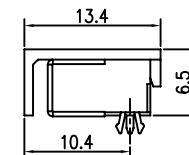
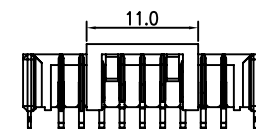
- MATERIAL:
 - HOUSING: THERMOPLASTIC, HIGH TEMP., UL94V-0.
 - CONTACT: COPPER ALLOY.
 - HOOK: COPPER ALLOY.
- FINISH:
 - CONTACT & SOLDER:
 - GOLD FLASH ON CONTACT AND SOLDER.
 - 50~100u" NICKEL UNDERPLATING OVERALL.
 - HOOK:
 - 50~100u" NICKEL UNDER PLATING OVER ALL
 - 100u" MIN. MATT TIN PLATING OVER ALL
- REFLOW SOLDER CAPABLE TO 260°C PER ACES SPEC.
- SPEC. PLS REFER TO PS-53007-XXXXX-XXX
- PACKAGE PLS REFER TO 53003-XXXX-XX-TRP
- PART NUMBER
53003-XXX X X-XXX

CKTS	X	X-XXX	XXX	Housing Color
PACKING	0	1	001	Black

PLATING
0: TAPE & REEL
1: GOLD FLASH (LEAD FREE)
7: TAPE & REEL WITH COVER



WITH COVER
1:2



一般公差
TOLERANCES
X ± 0.5 XX ± 0.15
X ± 0.25 XXX ± 0.1
ANGLES $\pm 2^\circ$

宏致電子股份有限公司
Aces Electronic Co., Ltd.

檢驗尺寸標示
SYMBOLS \oplus \ominus INDICATE
CLASSIFICATION DIMENSION
 \oplus MARK IS CRITICAL DIM.
 \ominus MARK IS MAJOR DIM.

品名 (TITLE)
2.00mm Battery Conn.
Male DIP R/A Type H=5.5
圖號 (DWG.NO)
53003-XXXXX-XXX

製圖 (DR) Brave
12/03/12
審核 (CHKD) Sam
核准 (APPD) Jason

表面處理 (FINISH)

比例 (SCALE) 單位 (UNITS)
1:1 mm

張數 (SHEET) 1 OF 1
SIZE A4
REV 0