

NOTES:

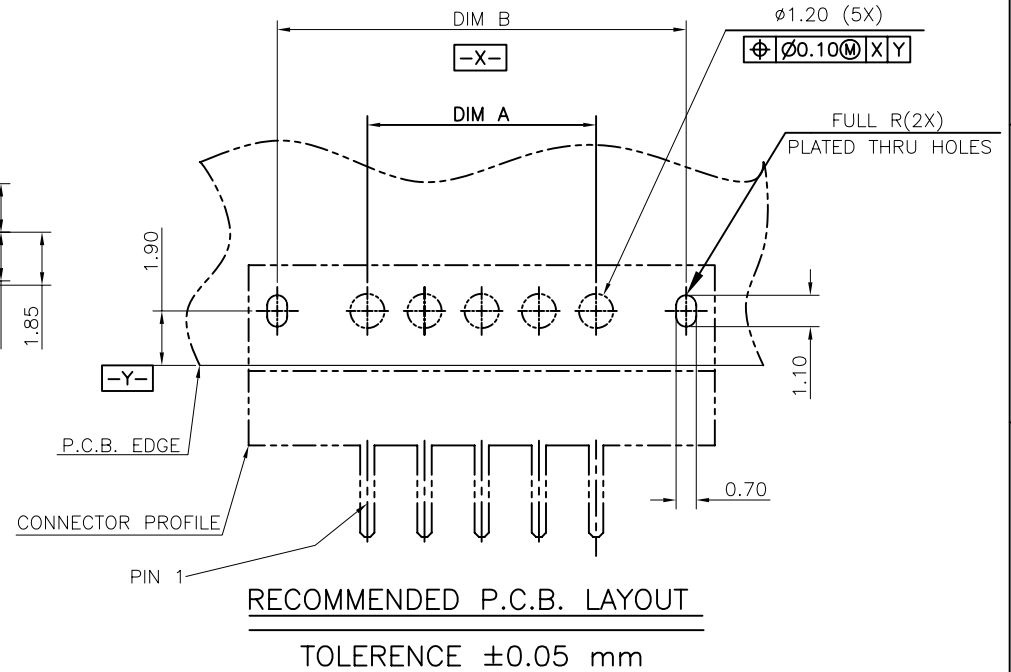
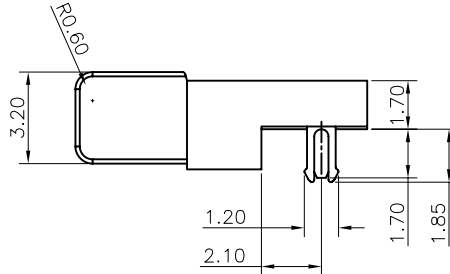
1. MATERIAL:
 - 1.1 HOUSING: THERMOPLASTIC, HIGH TEMP., UL94V-0; COLOR:BLACK.
 - 1.2 CONTACT: COPPER ALLOY
 - 1.3 HOOK: COPPER ALLOY
2. FINISH:
 - 2.1 CONTACT: GOLD FLASH ON CONTACT AND SOLDER. 50~100u" NICKEL UNDERPLATING OVERALL.
3. SPEC. PLS. REFER TO PS-53007-xxxxx-xxx.
4. PACKING SPEC. PLS. REFFER TO 53002-XXXXX-XX-TRP.
5. PART NUMBER

53002-XXX X X-001

NO OF CKT

PACKING 0:TAPE REEL

PLATING 1: G/F (LEAD FREE)



CKT	A	B	C
006	10.00	16.30	18.30

一般公差 TOLERANCES X ±0.5 XX ±0.15 X ±0.25 XXX ±0.1 ANGLES ±1°		宏致電子股份有限公司 Aces Electronic Co.,Ltd.	
檢驗尺寸標示 SYMBOLS ⊕ ⊕ INDICATE CLASSIFICATION DIMENSION ⊕ MARK IS CRITICAL DIM. ⊕ MARK IS MAJOR DIM.		品名 (TITLE) 2.00MM BATTERY T/H R/A H=1.7_CONN 圖號 (DWG.NO) 53002-XXXXX-XXX	
表面處理 (FINISH)		製圖 (DR) Brave 12/01/11 審核 (CHKD) Sam 核准 (APPD) Jason 比例 (SCALE) 4:1 單位 (UNITS) mm	
		張數 (SHEET) 1 OF 1 尺寸 (SIZE) A4 版次 (REV) 0	