

- NOTES:
- MATERIAL:
 - HOUSING: THERMOPLASTIC, HIGH TEMP.,UL94V-0; COLOR:Black.
 - CONTACT: COPPER ALLOY
 - FITTING NAIL: COPPER ALLOY

- FINISH:
 - CONTACT:
 - UNDERPLATING: 50u" MIN. NICKEL OVERALL.
 - FINISH:GOLD 3u" MIN. ON CONTACT,GOLD FLASH ON SOLDER TAIL
 - FINISH:GOLD 3u" ON CONTACT ARER,GOLD 1u" ON SOLDER TAIL
 - 15u" GOLD ON CONTACT AREA AND SOLDER FOR SELECTIVERNESS PLATING
 - 10u" GOLD ON CONTACT AREA AND SOLDER FOR SELECTIVERNESS PLATING
 - 30u" GOLD ON CONTACT AREA AND SOLDER FOR SELECTIVERNESS PLATING

- FITTING NAIL:
 - UNDERPLATING: 50u" MIN. NICKEL OVERALL.
 - FINISH:100~200u" MATT TIN OVER ALL

- REFLOW SOLDER CAPABLE TO 260°C PER ACES SPEC.
- ROHS COMPLIANT PRODUCT.
- SPEC. PLS. REFER TO PS-52741-xxxx-xxx
- PACKING. SPEC. PLS. REFER TO 91782-314TRAY-01
- PACKING SPEC. PLS. REFER TO 91782-314CR-05 OR 91782-314CR-5U
- THE PCB WARPAGE : 0.05MAX.
- THE PCB Coplanarity : 0.08MAX.(ex.86.54mm&CONN.LAYOUT AREA),
- PART NUMBER

52742-XXX X X-XXX

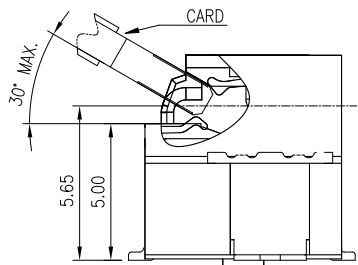
XXX	PACKAGE
001	91782-314CR-05

NO OF CKT
314: 314 PIN

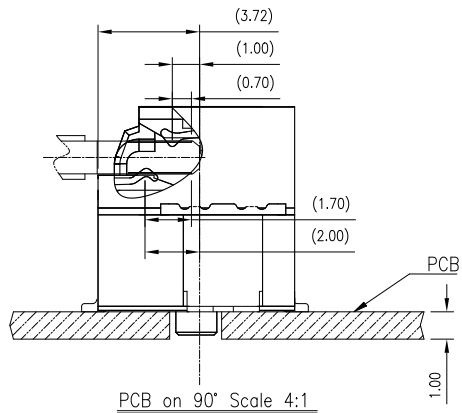
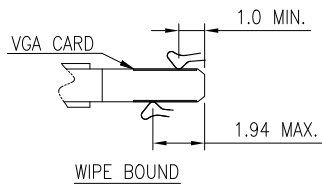
PACKING
0:REEL
2:TRAY

PLATING
8:GOLD 3u" MIN. ON CONTACT,
GOLD FLASH ON SOLDER TAIL
M:GOLD 3u" ON CONTACT ARER,
GOLD 1u" ON SOLDER TAIL
C:15u" GOLD ON CONTACT AREA AND
SOLDER FOR SELECTIVERNESS PLATING
T:10u" GOLD ON CONTACT AREA AND
SOLDER FOR SELECTIVERNESS PLATING
K:30u" GOLD ON CONTACT AREA AND
SOLDER FOR SELECTIVERNESS PLATING

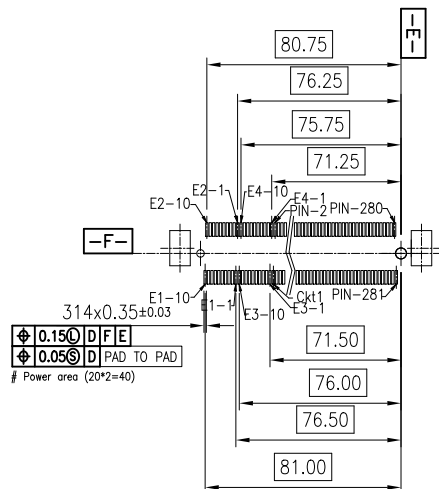
QUALITY SYMBOLS MAJOR Ⓢ CRITICAL Ⓢ	DRAWN BY Liang,lin ji 20/10/15	DATE 20/10/15	
GENERAL TOLERANCES (UNLESS SPECIFIED) X. ±0.5 .X ±0.25 .XX ±0.15 .XXX ±0.1 ANGLES ±2°	CHECKED BY Lu, jing quan 20/10/15	DATE 20/10/15	
	APPROVED BY hsieh, fu yu 20/10/15	DATE 20/10/15	RFQ NO. N/A
	UNITS mm	SIZE A4	DWG NO. 52742-314xx-xxx
	SCALE 1:1	SHEET NO. 1 OF 3	REV 1



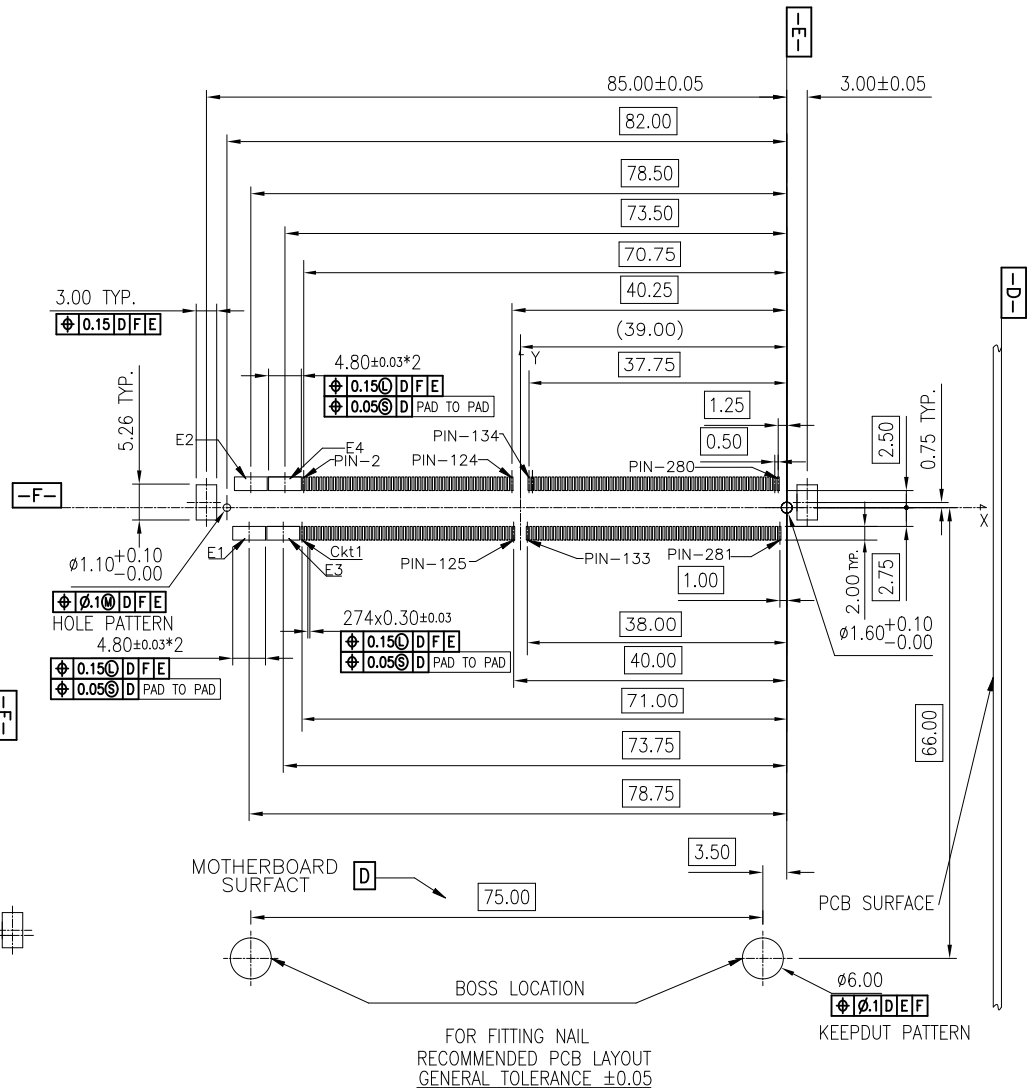
PCB 30° MAX In conn. Scale 4:1



PCB on 90° Scale 4:1

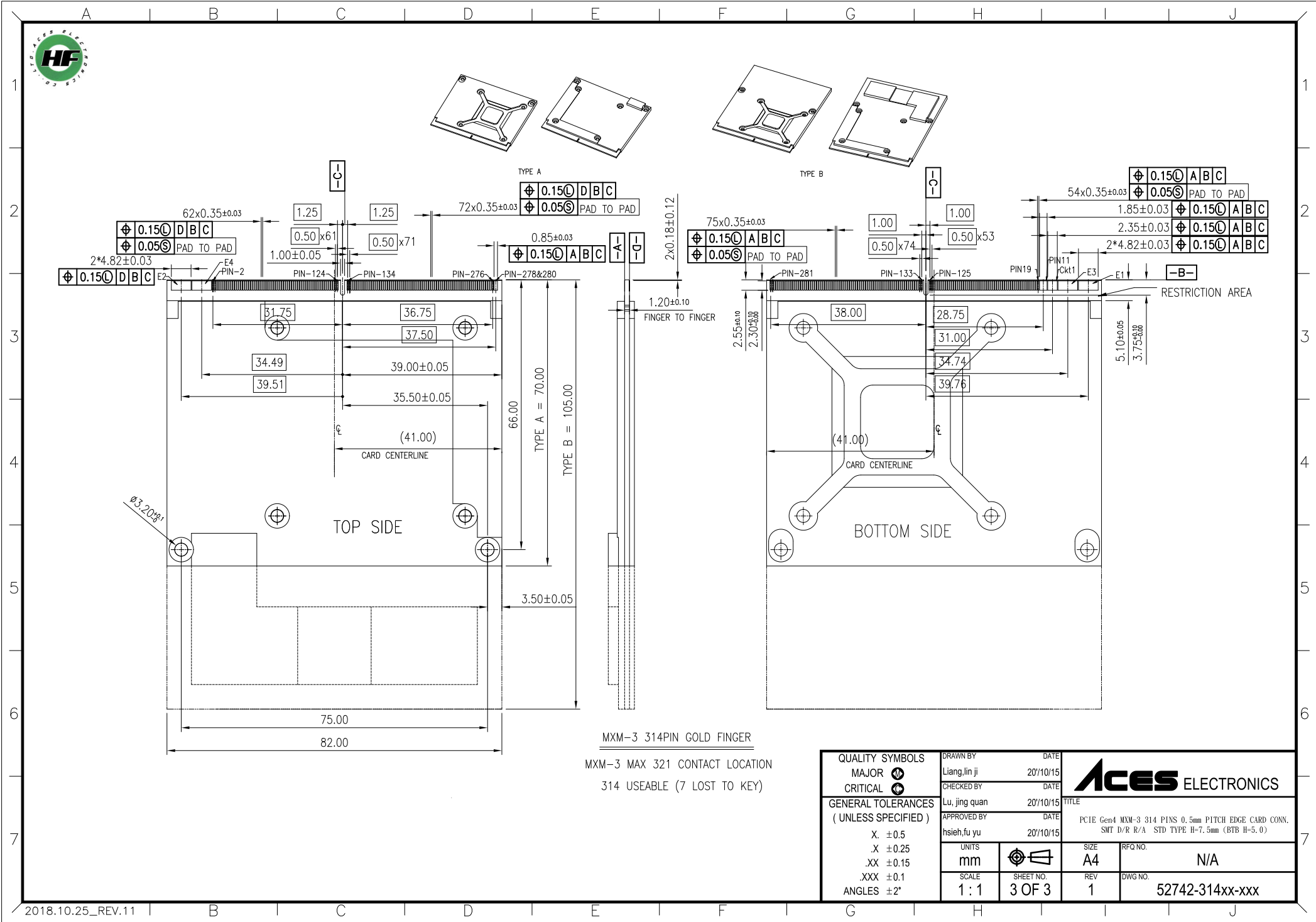


HIGH ELECTRICITY PER PIN LAYOUT



FOR FITTING NAIL
RECOMMENDED PCB LAYOUT
GENERAL TOLERANCE ±0.05

QUALITY SYMBOLS MAJOR Ⓢ CRITICAL Ⓢ GENERAL TOLERANCES (UNLESS SPECIFIED) X. ±0.5 .X ±0.25 .XX ±0.15 .XXX ±0.1 ANGLES ±2°	DRAWN BY Liang,lin ji CHECKED BY Lu, jing quan APPROVED BY hsieh, fu yu	DATE 20/10/15 DATE 20/10/15 DATE 20/10/15	ACES ELECTRONICS TITLE PCIe Gen4 MM-3 314 PINS 0.5mm PITCH EDGE CARD CONN. SMT D/R R/A STD TYPE H=7.5mm (BTB H=5.0)
	UNITS mm SCALE 1 : 1	SIZE A4 REV 1	



MXM-3 314PIN GOLD FINGER
 MXM-3 MAX 321 CONTACT LOCATION
 314 USEABLE (7 LOST TO KEY)

QUALITY SYMBOLS MAJOR Ⓢ CRITICAL Ⓢ GENERAL TOLERANCES (UNLESS SPECIFIED) X. ±0.5 .X ±0.25 .XX ±0.15 .XXX ±0.1 ANGLES ±2°	DRAWN BY Liang, lin ji 20/10/15	DATE 20/10/15		TITLE PCIe Gen4 MXM-3 314 PINS 0.5mm PITCH EDGE CARD CONN. SMT D/R R/A STD TYPE H=7.5mm (BTB H=5.0)
	CHECKED BY Lu, jing quan 20/10/15	DATE 20/10/15		
	APPROVED BY hsieh, fu yu 20/10/15	DATE 20/10/15		
UNITS mm		SIZE A4	RFG NO. N/A	SCALE 1:1
SHEET NO. 3 OF 3	REV 1	DWG NO. 52742-314xx-xxx		