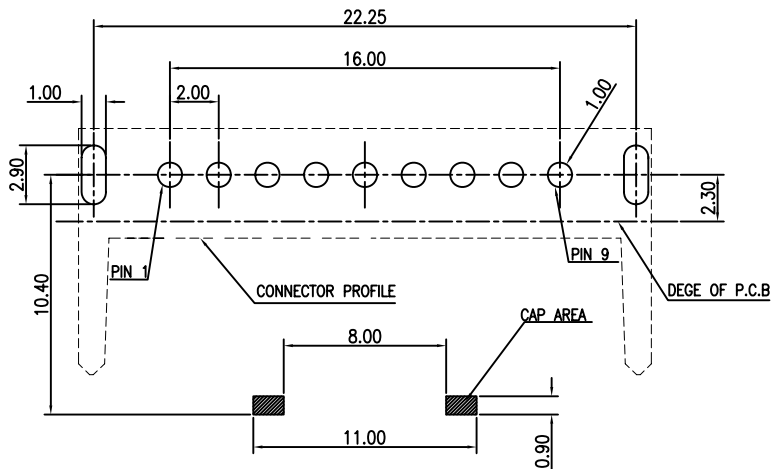
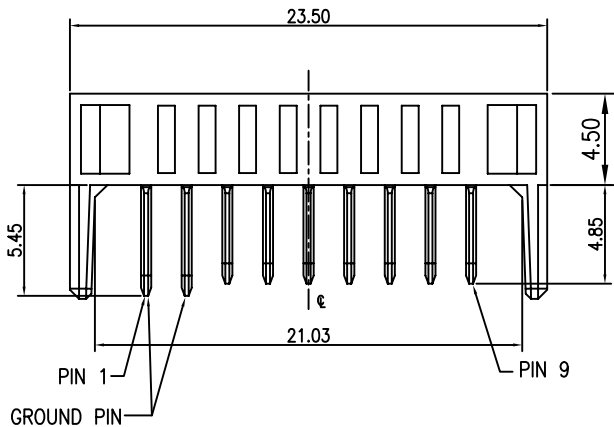


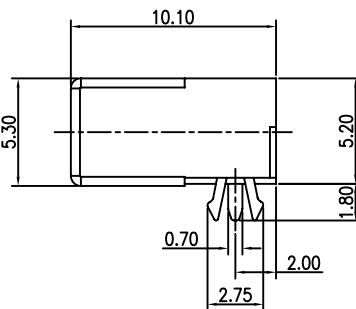
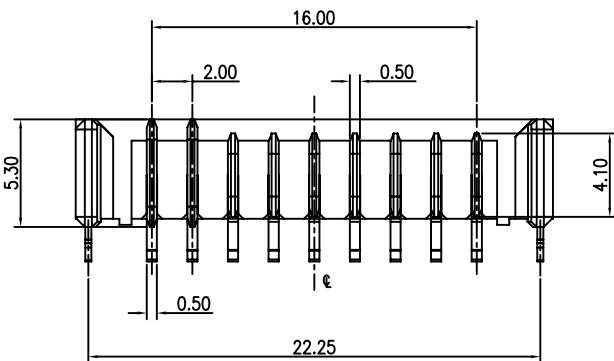


- NOTES:  
 1. MATERIAL:  
 1.1 HOUSING: HALOGEN FREE PLASTICS UL 94V-0  
 1.2 CONTACT: COPPER ALLOY  
 1.3 FITTING NAIL: COPPER ALLOY

2. FINISH:  
 2.1 CONTACT:  
 50u" MIN. NICKEL UNDERPLATING OVERALL.  
 GOLD FLASH ON CONTACT AREA.  
 2.2 SOLDER:  
 50u" MIN. NICKEL UNDERPLATING OVERALL.  
 GOLD FLASH ON SOLDER AREA.  
 2.3 FITTING NAIL:  
 50u" MIN. NICKEL UNDERPLATING OVERALL.  
 100u" MIN. MATT TIN PLATING OVERALL  
 3. REFLOW SOLDER CAPABLE TO 260°C  
 PER ACES SPEC.  
 4. SPEC. PLS REFER TO PS-50975-XXXX-XXX  
 5. PACKAGE PLS REFER TO 51996-XXXX-XXX-TRP  
 6. PART NUMBER



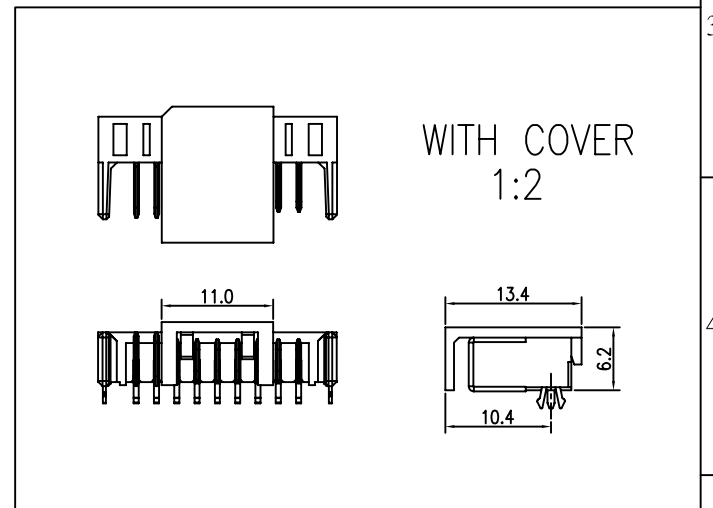
RECOMMENDED PCB LAYOUT  
 GENERAL TOLERANCE  $\pm 0.05$



51996-XXX X X-XXX

CKTS	XXX	Housing Color
PACKING	001	Black
PLATING	1: GOLD FLASH(LEAD FREE)	

0:TAPE & REEL  
 7:TAPE & REEL WITH COVER



一般公差 <b>TOLERANCES</b> X $\pm 0.5$ XX $\pm 0.15$ X $\pm 0.25$ XXX $\pm 0.1$ ANGLES $\pm 2^\circ$		<b>宏致電子股份有限公司</b> <b>Aces Electronic Co.,Ltd.</b>	
檢驗尺寸標示 <b>SYMBOLS</b> $\oplus$ $\otimes$ INDICATE <b>CLASSIFICATION DIMENSION</b> $\oplus$ MARK IS CRITICAL DIM. $\otimes$ MARK IS MAJOR DIM.		品名 (TITLE) 2.00mm Battery Conn. Male DIP R/A Type H=5.20 圖號 (DWG.NO) 51996-XXXX-XXX	製圖 (DR) Brave 12/02/23 審核 (CHKD) Sam 核准 (APPD) Jason
表面處理 (FINISH)	比例 (SCALE) 1:1	單位 (UNITS) mm	張數 (SHEET) 1 OF 1 尺寸 (SIZE) A4 版次 (REV) 0