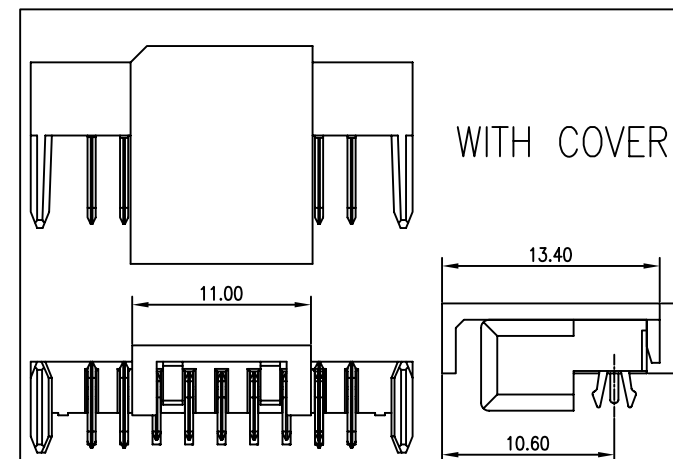


NOTES:

- MATERIAL:
    - HOUSING: THERMOPLASTIC, HIGH TEMP., UL94V-0.
    - CONTACT: COPPER ALLOY.
    - HOOK: COPPER ALLOY.
  - FINISH:
    - CONTACT:
      - 5u" GOLD PLATED ON CONTACT AND G/F ON SOLDER.
      - 50~100u" MIN. NICKEL UNDERPLATING OVERALL.
    - HOOK:
      - 50~100u" MIN. NICKEL UNDER PLATING OVER ALL
      - 80u" MIN. PURE TIN PLATING OVER ALL
  - REFLOW SOLDER CAPABLE TO 260°C PER ACES SPEC.
  - SPEC. PLS REFER TO PS-50975-XXXX-XXX
  - PACKAGE PLS REFER TO 51995-XXXX-XX-TRP
  - PART NUMBER
 

51995-XXX	X	X-XXX	XXX	Housing Color
CKTS			001	Black
- PACKING: 0: TAPE & REEL; 7: TAPE & REEL WITH COVER  
 PLATING: B: 5u" GOLD PLATED ON CONTACT (LEAD FREE)



一般公差 <b>TOLERANCES</b> X ±0.5    XX ±0.15 X ±0.25    XXX ±0.1 ANGLES ±2°		<b>宏致電子股份有限公司</b> <b>Aces Electronic Co., Ltd.</b>	
檢驗尺寸標示 <b>SYMBOLS</b> ⊕ ⊕ INDICATE CLASSIFICATION DIMENSION ⊕ MARK IS CRITICAL DIM. ⊕ MARK IS MAJOR DIM.	品名 (TITLE) 2.00mm Battery Conn. Male DIP R/A Type H=3.30 圖號 (DWG.NO) 51995-XXXX-XXX	製圖 (DR) 12/01/16 審核 (CHKD) Sam 核准 (APPD) Jason	Brave Sam Jason
表面處理 (FINISH)	比例 (SCALE) 1:1 單位 (UNITS) mm		張數 (SHEET) 1 OF 1 尺寸 (SIZE) A4 版次 (REV) 0