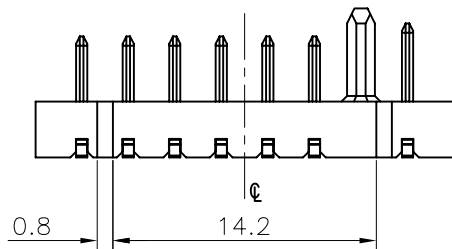
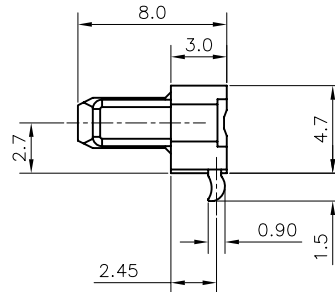
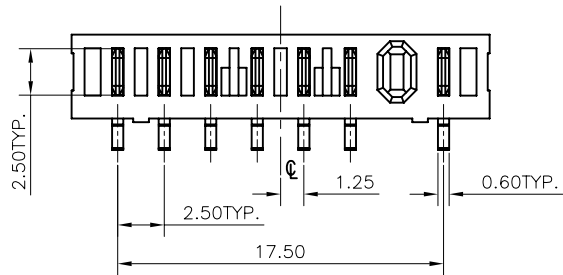


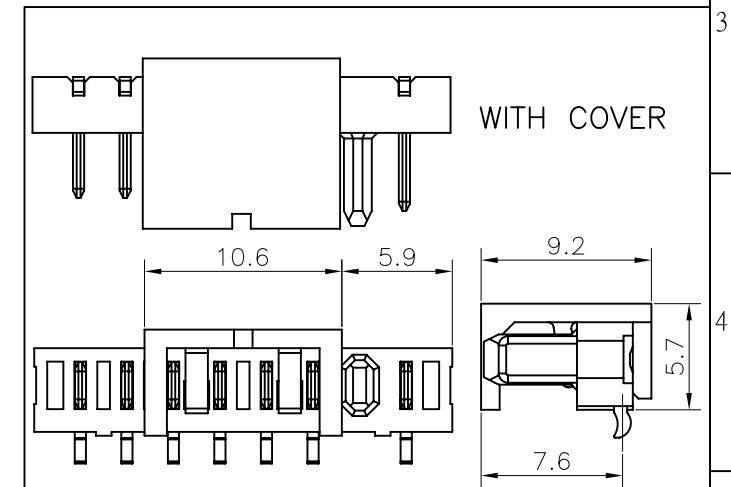
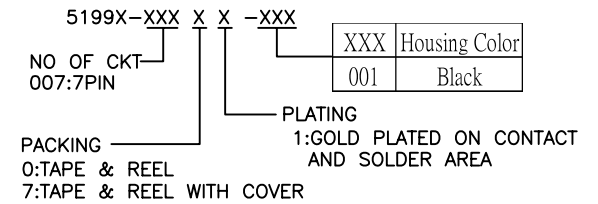
RECOMMENDED PCB LAYOUT
GENERAL TOLERANCE ±0.05



NOTES:

1. MATERIAL:
 - 1.1 HOUSING: THERMOPLASTIC, HIGH TEMP., UL94V-0; COLOR:BLACK.
 - 1.2 CONTACT: COPPER ALLOY
2. FINISH:
 - GOLD PLATED ON CONTACT AND SOLDER AREA
 - 50~100u" NICKEL UNDERPLATING OVERALL
3. REFLOW SOLDER CAPABLE TO 260°C PER ACES SPEC.
4. WAVE SOLDER CAPABLE TO 260°C PER ACES SPEC.
5. SPEC. PLS. REFER TO PS-50975-xxxxx-xxx
6. PACKAGE PLS. REFER TO 51991-xxxxx-xx-TRP
7. PART NUMBER

P/N LEGEND



一般公差
TOLERANCES
X ±0.50 .XX ±0.15
X ±0.25 .XXX ±0.10
ANGLES ±2°

宏致電子股份有限公司
Aces Electronic Co.,Ltd.

檢驗尺寸標示
SYMBOLS (M) (L) INDICATE CLASSIFICATION DIMENSION
(M) MARK IS CRITICAL DIM.
(L) MARK IS MAJOR DIM.

品名 (TITLE)
2.50mm Battery Conn.
Male DIP R/A Type H=4.70
圖號 (DWG.NO)
51991-XXXXX-XXX

製圖 (DR) Brave
09/15/11'
審核 (CHKD) Sam
核准 (APPD) Jason

表面處理 (FINISH)

比例 (SCALE) 2:1
單位 (UNITS) mm

張數 (SHEET) 1 OF 1
SIZE A4
REV 0