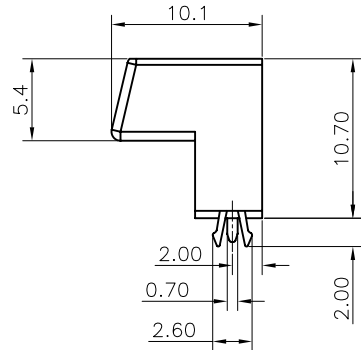
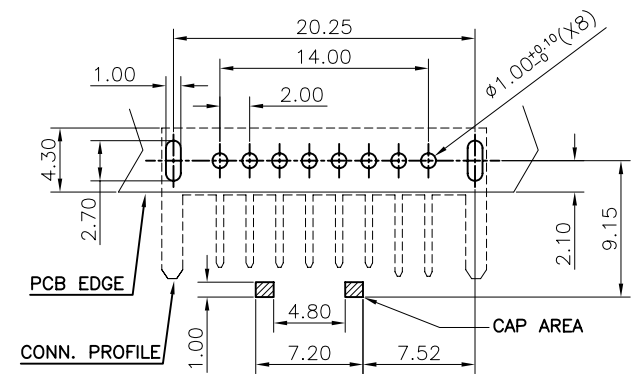


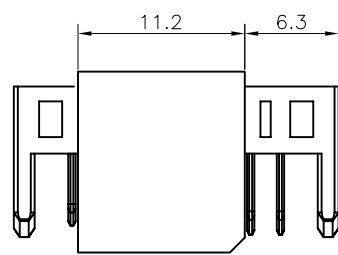
P/N LEGEND
 51985-XXX X X -XXX
 NO OF CKT: 008:8PIN
 XXX: Housing Color (001: Black)
 PLATING: 1:GOLD PLATED ON CONTACT AND SOLDER AREA
 PACKING: 0:TAPE & REEL, 7:TAPE & REEL WITH COVER



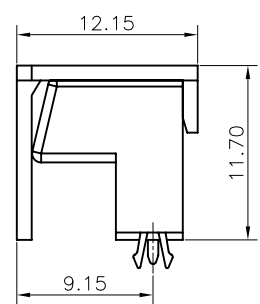
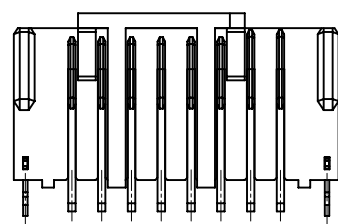
- NOTES:**
- MATERIAL:**
 - HOUSING: THERMOPLASTIC, HIGH TEMP., UL94V-0; COLOR:BLACK.
 - CONTACT: COPPER ALLOY
 - FITTING NAIL : COPPER ALLOY
 - FINISH:**
 - CONTACT: 1: GOLD PLATED ON CONTACT AND SOLDER AREA 50~100u" MIN NICKEL UNDERPLATING OVERALL
 - FITTING NAIL: 80~150u"MIN TIN PLATING OVERALL, 50~100u" MIN NICKEL UNDERPLATING OVERALL
 - REFLOW SOLDER CAPABLE TO 260°C PER ACES SPEC.
 - WAVE SOLDER CAPABLE TO 260°C PER ACES SPEC.
 - SPEC. PLS. REFER TO PS-50975-xxxxx-xxx
 - PACKAGE PLS. REFER TO 51985-xxxxx-xx-TRP
 - PART NUMBER



RECOMMENDED PCB LAYOUT
GENERAL TOLERANCE ±0.05



WITH COVER



一般公差 TOLERANCES X ±0.50 .XX ±0.15 X ±0.25 .XXX ±0.10 ANGLES ±2°		宏致電子股份有限公司 Aces Electronic Co.,Ltd.	
檢驗尺寸標示 SYMBOLS Ⓢ Ⓜ INDICATE CLASSIFICATION DIMENSION Ⓢ MARK IS CRITICAL DIM. Ⓜ MARK IS MAJOR DIM.	品名 (TITLE) 2.00mm Battery Conn. Male DIP R/A Type H=10.7 圖號 (DWG.NO) 51985-XXXXX-XXX	製圖 (DR) 06/15/11' Brave	審核 (CHKD) Sam
表面處理 (FINISH)	比例 (SCALE) 2:1	單位 (UNITS) mm	核准 (APPD) Jason
	圖號 (DWG.NO) 51985-XXXXX-XXX	張數 (SHEET) 1 OF 1	尺寸 (SIZE) A4
		比例 (SCALE) 2:1	版本 (REV) 0