

- NOTES:
- MATERIAL:
    - HOUSING: THERMOPLASTIC, HIGH TEMP., UL94V-0; COLOR:BLACK.
    - CONTACT: COPPER ALLOY
    - FITTING NAIL: COPPER ALLOY
  - FINISH:
    - CONTACT:
      - CONTACT:SEE ORDER INFORMATION.
      - 60u" Min MATT TIN PLAIN ON SOLDER.
      - 50u" MIN NICKEL UNDERPLATED OVERALL.
    - FITTING NAIL:
      - 50u" Min MATT TIN PLAIN ON SOLDER.
      - 50u" Min NICKEL UNDERPLATED OVERALL.
  - REFLOW SOLDER CAPABLE TO 260°C PER ACES SPEC.
  - SPEC. PLS. REFER TO PS-50886-xxxx-xxx
  - PACKAGE PLS. REFER TO 51833-xxxx-xx-TRP
  - PART NUMBER

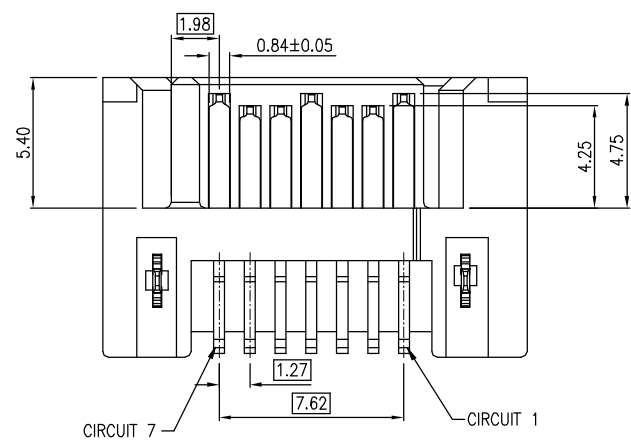
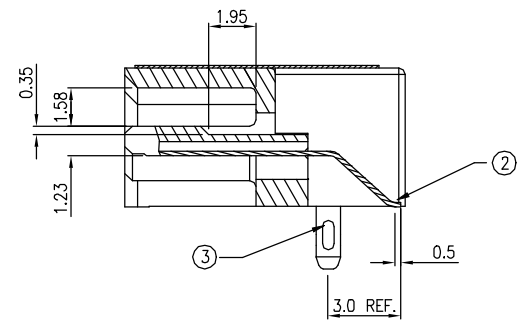
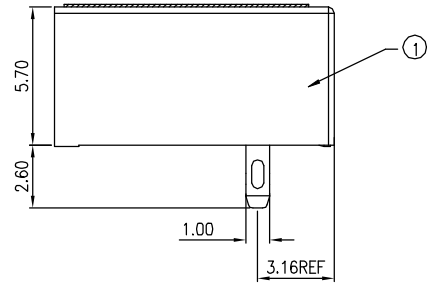
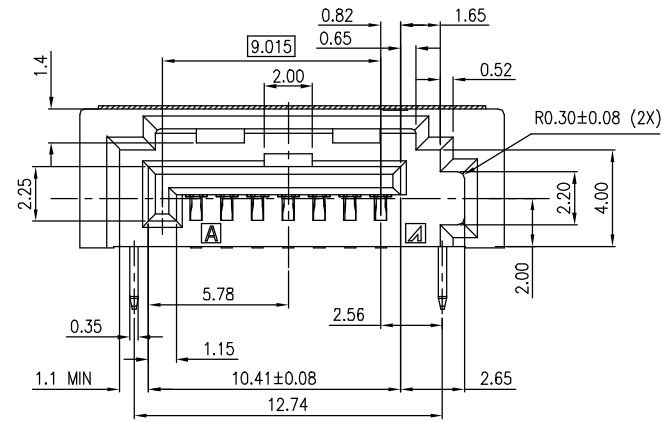
51833-XXX X X-XXX

NO OF CKT: 007:7PIN

PACKING: 4: TAPE & REEL WITH Mylar

PLATING: D: GOLD 30u" ON CONTACT

XXX COLOR Halogen Free  
001 BLACK HF



NO.	DESCRIPTION	QTY	MATERIAL	FINISH&COLOR
4	MYLAR	1	POLYIMIDE TAPE	AMBER
3	BOARD LOCK	2	COPPER ALLOY	MATT TIN
2	CONTACT	7	COPPER ALLOY	GOLD PLATED
1	HOUSING	1	Halogen Free PLASTIC,HIGH TEMP LCP UL94V-0	BLACK

QUALITY SYMBOLS

MAJOR Ⓢ

CRITICAL Ⓢ

GENERAL TOLERANCES ( UNLESS SPECIFIED )

X. ±0.5

X ±0.25

XX ±0.15

XXX ±0.1

ANGLES ±2°

DRAWN BY: LuTaoTao

CHECKED BY: Xu,ZhiYong

APPROVED BY: Xu,ZhiYong

DATE: 20/04/13

DATE: 20/04/13

DATE: 20/04/13

**ACES ELECTRONICS**

TITLE: **SATA CONN HOST 1.27MM PITCH PLUG/R/A SMT TYPE**

UNITS: mm

SCALE: 1:1

SHEET NO.: 1 OF 1

SIZE: A4

REV: A

RFG NO.: RFQ-1909091

DWG NO.: 51833-XXXX-XXX