

PROPOSAL DRAWING

NO.	DESCRIPTION
1	HOUSING
2	TERMINAL
3	SOLDER PEG

NOTES:

- MATERIAL:
  - HOUSING: THERMOPLASTIC, HIGH TEMP., UL94V-0; COLOR:BLACK.
  - CONTACT: COPPER ALLOY
  - SOLDER PEG: STAINLESS STEEL
- FINISH:
  - CONTACT:
    - GOLD PLATING ON CONTACT AREA.
    - GOLD FLASH PLATING ON SOLDER TAILS.
    - 50~150u" NICKEL UNDERPLATING OVERALL.
  - SOLDER PEG:
    - 80~200u" MATTE TIN PLATING ON SOLDER TAILS.
    - 50~150u" NICKEL UNDERPLATING OVERALL.
- REFLOW SOLDER CAPABLE TO 260°C ,PER ACES SPEC.
- SPEC. PLS. REFER TO PS-51748-075xx-xxx
- PACKAGE PLS. REFER TO 51748-xxxxx-xx-TRP
- PART NUMBER

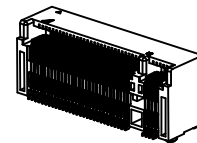
51748-075 0 X-XXX

NO OF CKT  
XXX.CKT

PACKING  
0:TAPE&REEL  
(NORMAL W:32MM)

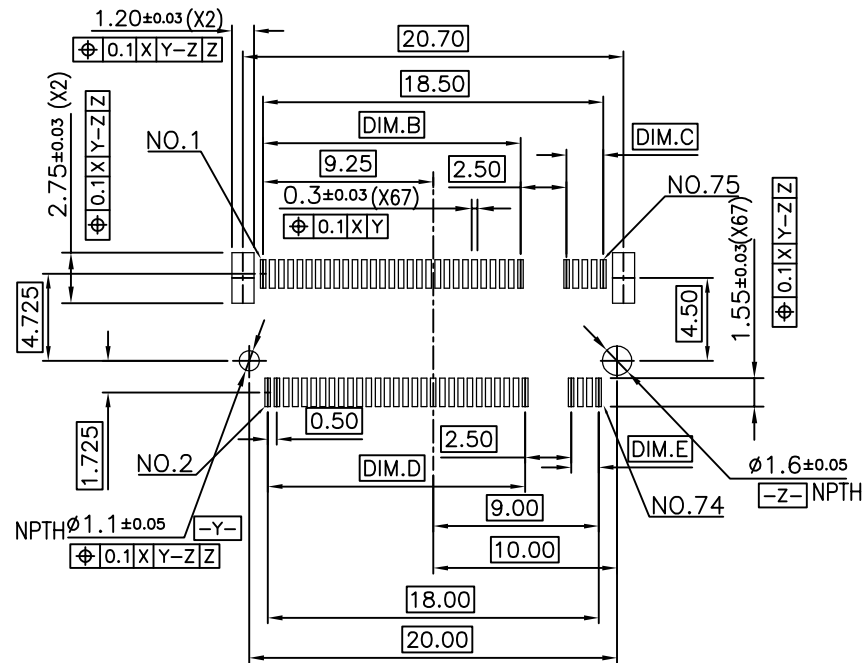
KEY TYPE  
001:TYPE A  
002:TYPE B  
005:TYPE E  
012:TYPE M

PLATING  
2: GOLD FLASH  
Q: 10u" GOLD PLATING  
C: 15u" GOLD PLATING  
D: 30u" GOLD PLATING

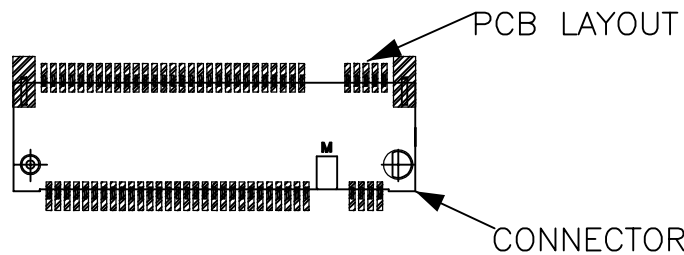
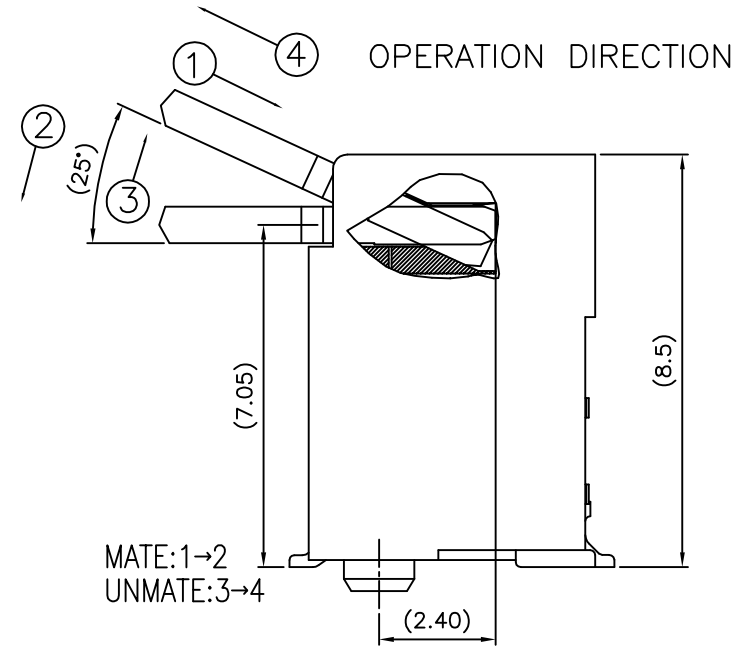


KEYING OPTION	DIM A	DIM B	DIM C	DIM D	DIM E	DIM M	DIM N
A	6.625	1.50	14.50	1.00	14.50	1.125	1.375
B	5.625	2.50	13.50	2.00	13.50	1.125	1.375
E	2.625	5.50	10.50	5.00	10.50	1.125	1.375
M	-6.125	14.00	2.00	14.00	1.50	1.375	1.125

QUALITY SYMBOLS MAJOR Ⓢ CRITICAL Ⓢ GENERAL TOLERANCES ( UNLESS SPECIFIED ) .X ±0.5 .XX ±0.25 .XXX ±0.1 ANGLES ±2°	DRAWN BY Xu.JinJun CHECKED BY Xu.ZhiYong APPROVED BY Xu.ZhiYong	DATE 21/03/11 DATE 21/03/11 DATE 21/03/11	
	TITLE 0.5MM PITCH M.2 CONN. SMT D/R R/A TYPE H=8.50MM		
UNITS mm SCALE 2:1	SHEET NO. 1 OF 3	REV A	DWG NO. 51748-XXXXX-XXX



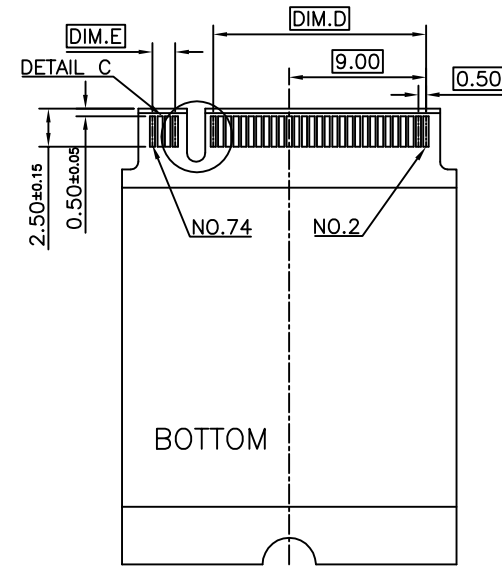
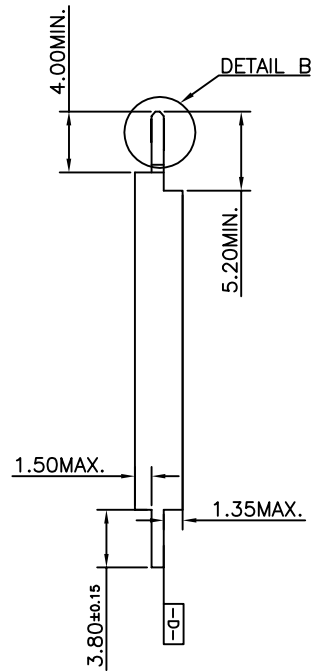
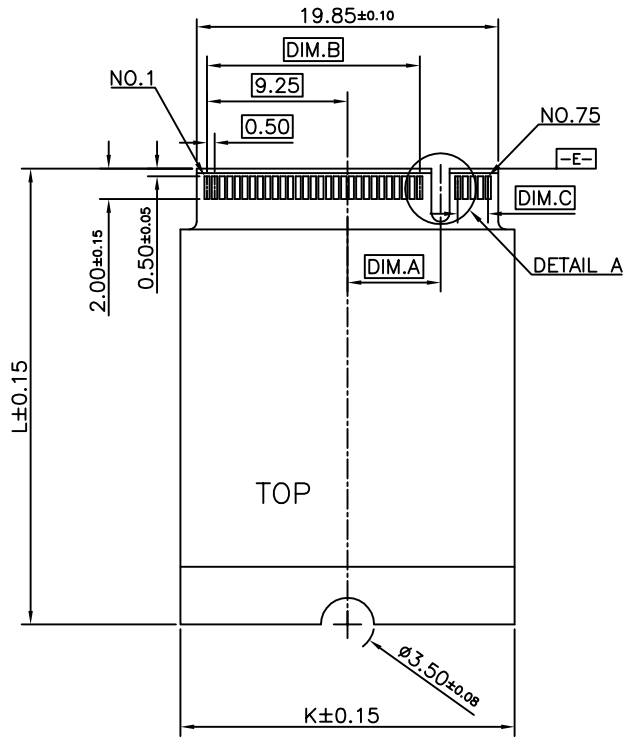
DATUM X IS THE TOP OF SURFACE OF PCB.  
RECOMMENDED P.C.B LAYOUT  
TOLERANCE: ±0.05MM



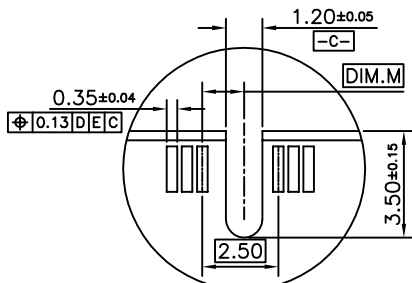
KEYING OPTION	DIM A	DIM B	DIM C	DIM D	DIM E	DIM M	DIM N
A	6.625	1.50	14.50	1.00	14.50	1.125	1.375
B	5.625	2.50	13.50	2.00	13.50	1.125	1.375
E	2.625	5.50	10.50	5.00	10.50	1.125	1.375
M	-6.125	14.00	2.00	14.00	1.50	1.375	1.125

QUALITY SYMBOLS MAJOR Ⓢ CRITICAL Ⓢ GENERAL TOLERANCES (UNLESS SPECIFIED) X. ±0.5 .X ±0.25 .XX ±0.15 .XXX ±0.1 ANGLES ±2°	DRAWN BY Xu.JinJun	DATE 21/03/11	
	CHECKED BY Xu.ZhiYong	DATE 21/03/11	
	APPROVED BY Xu.ZhiYong	DATE 21/03/11	RFO NO. N/A
	UNITS mm		SIZE A4
	SCALE 2:1	SHEET NO. 2 OF 3	REV A
			DWG NO. 51748-XXXXX-XXX

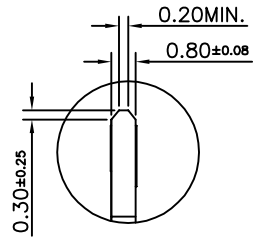
PROPOSAL DRAWING



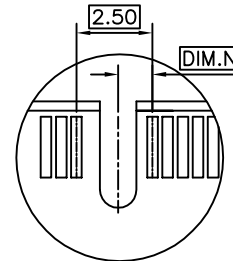
DIM K	DIM L
22.00	30.00
	42.00
	60.00
30.00	80.00
	110.00



DETAIL A  
SCALE 2:1



DETAIL B  
SCALE 2:1



DETAIL C  
SCALE 2:1

KEYING OPTION	DIM A	DIM B	DIM C	DIM D	DIM E	DIM M	DIM N
A	6.625	1.50	14.50	1.00	14.50	1.125	1.375
B	5.625	2.50	13.50	2.00	13.50	1.125	1.375
E	2.625	5.50	10.50	5.00	10.50	1.125	1.375
M	-6.125	14.00	2.00	14.00	1.50	1.375	1.125

QUALITY SYMBOLS

MAJOR

CRITICAL

GENERAL TOLERANCES (UNLESS SPECIFIED)

X. ±0.5

.X ±0.25

.XX ±0.15

.XXX ±0.1

ANGLES ±2°

DRAWN BY	DATE
Xu.JinJun	21/03/11
CHECKED BY	DATE
Xu.ZhiYong	21/03/11
APPROVED BY	DATE
Xu.ZhiYong	21/03/11
UNITS	SIZE
mm	A4
SCALE	SHEET NO.
2:1	3 OF 3

**ACES** ELECTRONICS

TITLE: 0.5MM PITCH M.2 CONN. SMT D/R R/A TYPE H=8.50MM

RFO NO. N/A

DWG NO. 51748-XXXXX-XXX

PROPOSAL DRAWING