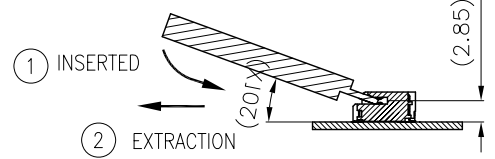
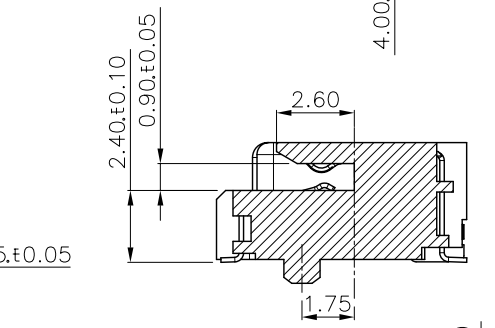
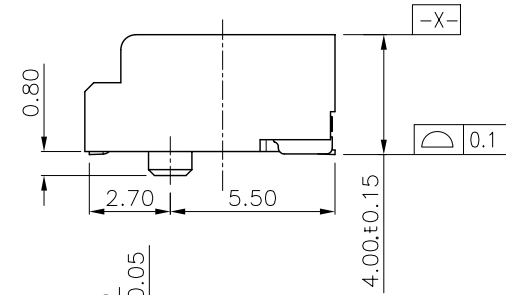
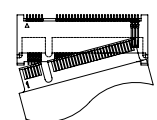


- NOTES:
- MATERIAL:
    - HOUSING: THERMOPLASTIC, HIGHTEMP., UL94V-0; COLOR: BLACK.
    - CONTACT: COPPER ALLOY
    - FITTING NAIL: COPPER ALLOY
  - FINISH:
    - CONTACT:
      - CONTACT: SEE ORDER INFORMATION.
      - SOLDER: GOLD FLASH PLATING.
      - 50-100u" NICKEL UNDERPLATED OVERALL.
    - FITTING NAIL:
      - 100-200u" MATT TIN PLAIN ON SOLDER.
      - 50-100u" NICKEL UNDERPLATED OVERALL.
  - REFLOW SOLDER CAPABLE TO 260°C PER ACES SPEC.
  - SPEC. PLS. REFER TO PS-51733-XXXX-XXX  
51736-xxxx-xx-TRP  
51736-xxxx-01-TRP



RECOMMENDED OPERATING FLOW CHART  
MATE: 1 -  
UNMATE: 2 -



6. PART NUMBER

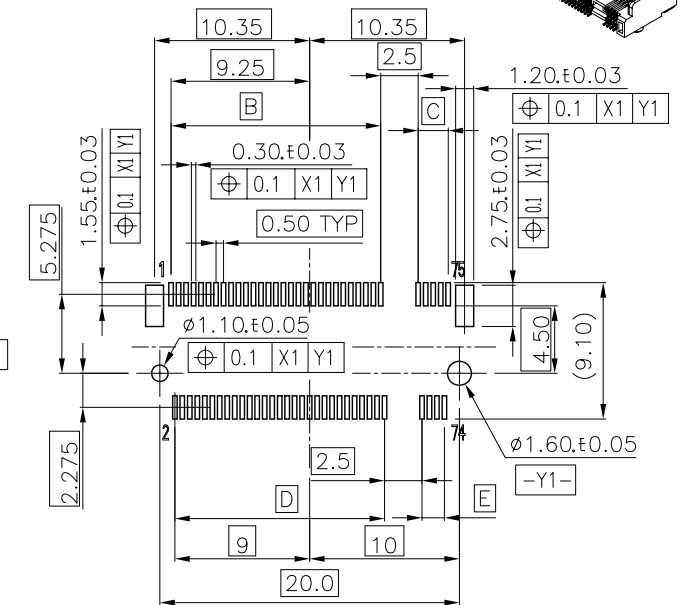
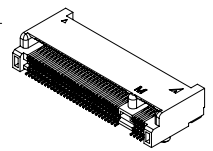
51736-XXX X X-XXX

NO OF CKT

PACKING  
0.TAPE & REEL

XXX	LOGO	KEY TYPE	PACKING NO
001	ACES	A	51736-XXXX-XX-TRP
002	ACES	B	51736-XXXX-XX-TRP
005	ACES	E	51736-XXXX-XX-TRP
012	ACES	M	51736-XXXX-XX-TRP
N01	ACES	A	51736-XXXX-01-TRP
N02	ACES	B	51736-XXXX-01-TRP
N05	ACES	E	51736-XXXX-01-TRP
N12	ACES	M	51736-XXXX-01-TRP

- CONTACT PLATING  
2.GOLD FLASH ON CONTACT  
G.GOLD 10u" ON CONTACT



DATUM X1 IS THE TOP OF SURFACE OF PCB.  
RECOMMENDED P.C.B LAYOUT

NO.	PART NUMBER	KEY OPTION	DIM A	B	C	D	E
1	51736-06702-001	A	6.625	1.5	14.5	1.0	14.5
2	51736-06702-002	B	5.625	2.5	13.5	2.0	13.5
3	51736-06702-005	E	2.625	5.5	10.5	5.0	10.5
4	51736-06702-012	M	-6.125	14.0	2.0	14.0	1.5

一般公差 <b>TOLERANCES</b> X ±0.5 .XX ±0.15 X ±0.25 .XXX ±0.1 ANGLES ±2°		<b>宏致電子股份有限公司</b> Aces Electronics Co.,Ltd.	
檢驗尺寸標示 SYMBOLS ⊕ ⊗ INDICATE CLASSIFICATION DIMENSION	品名 (TITLE) M.2 CONN. 0.5Pitch H:4.2mm	製圖 (DR) '15/05/22 審核 (CHKD) BRAVE	JUGG
⊕ MARK IS CRITICAL DIM. ⊗ MARK IS MAJOR DIM.	圖號 (DWG.NO) 51736-XXXX-XXX	核准 (APPD) FRANK	
表面處理 (FINISH)	比例 (SCALE) 4:1	單位 (UNITS) mm	張數 (SHEET) 1 OF 1
			SIZE A4
			REV D