

SCALE 2.5:1

NOTES:

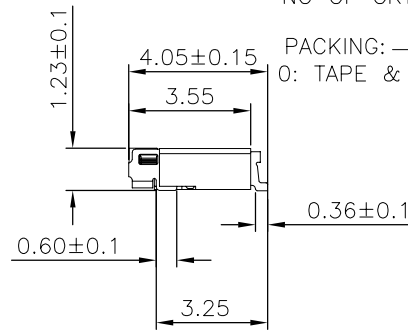
1. MATERIAL:
 - 1.1 HOUSING: THERMOPLASTIC, HIGH TEMP.UL94V-0; COLOR:WHITE.
 - 1.2 ACTUATOR: THERMOPLASTIC, HIGH TEMP.UL94-0; COLOR:BLACK.
 - 1.3 CONTACT: COPPER ALLOY
 - 1.4 SHELL: COPPER ALLOY
2. FINISH:
 - 2.1 CONTACT:
 - 50u" MIN. NICKEL PLATING OVERALL
 - M: 3u" MIN. PLATING GOLD ON CONTACT,1u" MIN. PLATING GOLD ON SOLDER
 - T: 10u" MIN. PLATING GOLD ON CONTACT,1u" MIN. PLATING GOLD ON SOLDER
 - C: 15u" MIN. PLATING GOLD ON CONTACT,1u" MIN. PLATING GOLD ON SOLDER
 - 2.2 SHELL:
 - 50u" MIN. NICKEL PLATING OVERALL
 - 40u" MIN. MATT TIN PLATING ON CONTACT&SOLDER
3. SPEC. PLS. REFER TO PS-51695-XXXX-XXX
4. PACKAGE PLS. REFER TO 51695-XXXX-XX-TRP
5. PART NUMBER

51695-XXX X X-XXX

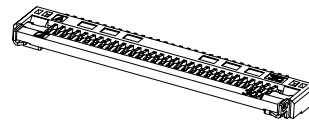
NO OF CKT: _____ PLATING: _____

PACKING: _____

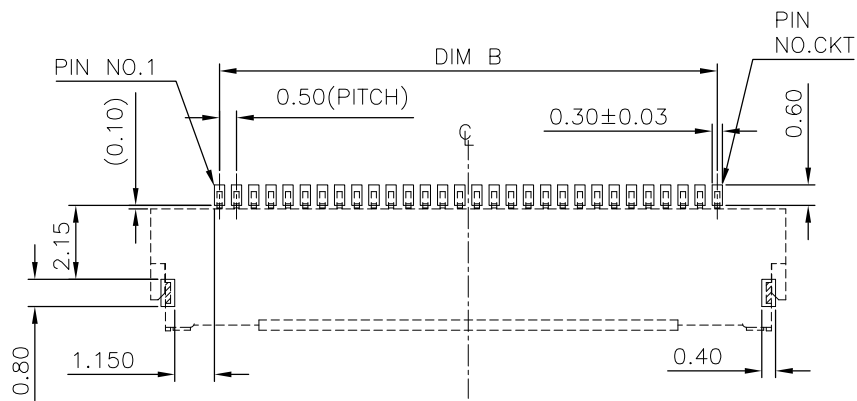
001: NONE
 M: 3u" GOLD PLATING ON CONTACT AND SOLDER FOR SELECTIVENESS PLATING
 T: 10u" GOLD PLATING ON CONTACT AND SOLDER FOR SELECTIVENESS PLATING
 C: 15u" GOLD PLATING ON CONTACT AND SOLDER FOR SELECTIVENESS PLATING



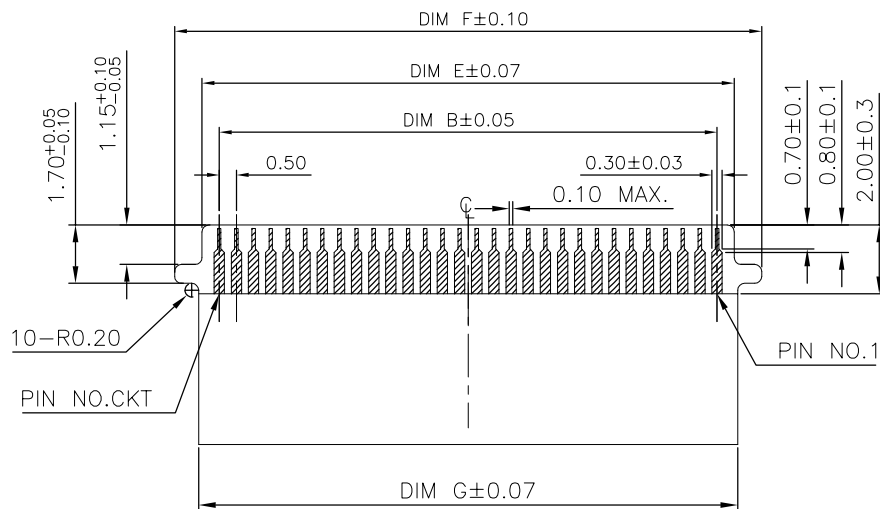
CKT	DIM A	DIM B	DIM C	DIM D	DIM E	DIM F	DIM G
14	10.50	6.50	7.57	9.50	7.50	9.10	7.70
30	18.50	14.50	15.57	17.50	15.50	17.10	15.70
40	23.50	19.50	20.57	22.50	20.50	22.10	20.70
45	26.00	22.00	23.07	25.00	23.00	24.60	23.20
50	28.50	24.50	25.57	27.50	25.50	27.10	25.70



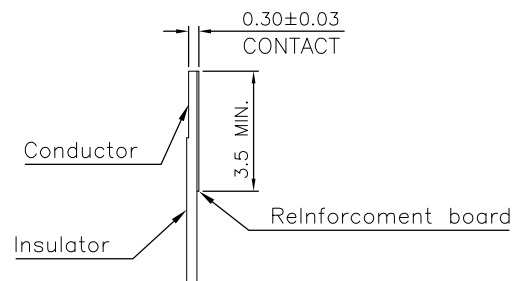
QUALITY SYMBOLS MAJOR Ⓜ CRITICAL Ⓢ GENERAL TOLERANCES (UNLESS SPECIFIED) X. ±0.5 .X ±0.25 .XX ±0.15 .XXX ±0.1 ANGLES ±2°	DRAWN BY: Wang, Kai Hung DATE: '19/11/26 CHECKED BY: Liu, Yuan Huang DATE: '19/11/26 APPROVED BY: Wang, Chun Sheng DATE: '19/11/26		ACES ELECTRONICS TITLE: 0.5 MM PITCH EASY ON FPC CONN. SMT R/A B/C TYPE SIZE: A4 DWG NO.: 51695-XXXX-XXX	
	UNITS: mm SCALE: 1:1	SHEET NO.: 1 OF 2		



RECOMMENDED PCB LAYOUT
 GENERAL TOLERANCE ± 0.05
 (RECOMMENDED STENCIL THICKNESS=0.12mm)



RECOMMENDED FPC/FFC DIMENSIONS
 GENERAL TOLERANCE ± 0.03
 (THICKNESS:0.3±0.03)



QUALITY SYMBOLS MAJOR CRITICAL	DRAWN BY	DATE		
	Wang, Kai Hung	'19/11/26		
GENERAL TOLERANCES (UNLESS SPECIFIED) X ± 0.5 .X ± 0.25 .XX ± 0.15 .XXX ± 0.1 ANGLES $\pm 2^\circ$	CHECKED BY	DATE	TITLE 0.5 MM PITCH EASY ON FPC CONN. SMT R/A B/C TYPE	
	Liu, Yuan Huang	'19/11/26		
	APPROVED BY	DATE	UNITS	SIZE
	Wang, Chun Sheng	'19/11/26	mm	A4
			SCALE	SHEET NO.
			1:1	2 OF 2
			REV	PART NO.
			C	51695-XXXXX-XXX
			SEE NOTES	