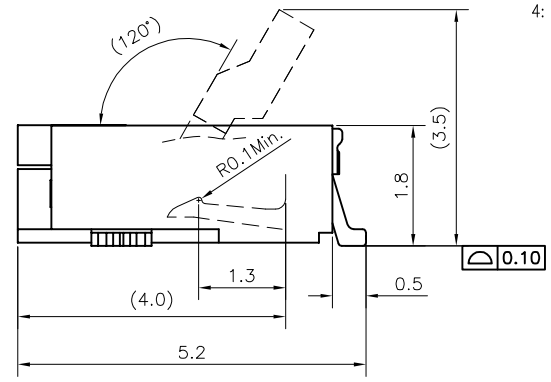
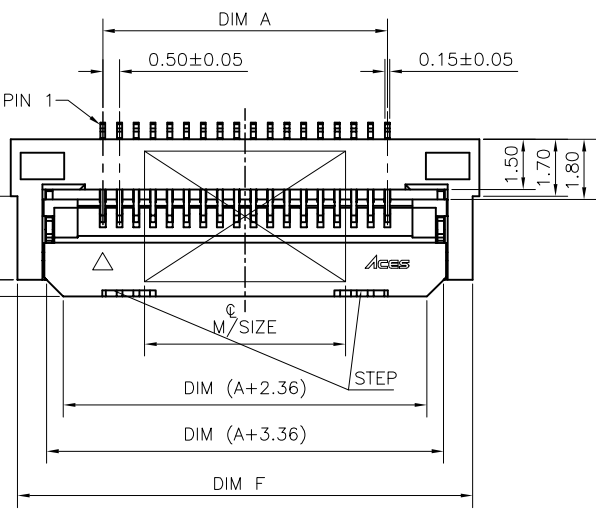


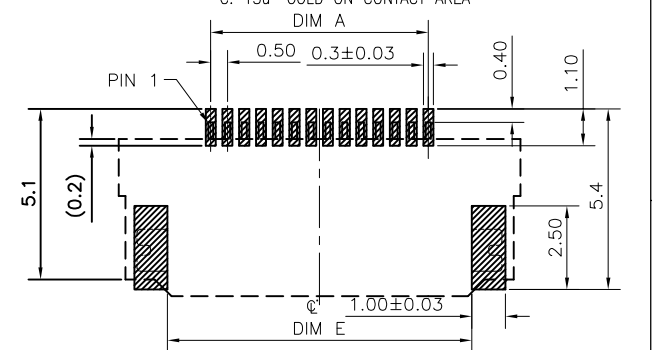
NOTES:  
 1. MATERIAL:  
 1.1 HOUSING: THERMOPLASTIC, HIGH TEMP., UL94V-0.  
 1.2 ACTUATOR: THERMOPLASTIC, HIGH TEMP., UL94V-0.  
 1.3 CONTACT: COPPER ALLOY  
 1.4 FITTING NAIL: COPPER ALLOY  
 2. FINISH:  
 2.1 CONTACT:  
 50~100u" NICKEL UNDERPLATING OVERALL.  
 1:GOLD FLASH PLATING.  
 T:10u" GOLD ON CONTACT AREA.  
 C:15u" GOLD ON CONTACT AREA.  
 2.2 FITTING NAIL:  
 100~200u" MATT TIN PLATING ON SOLDER TAILS(LEAD FREE).  
 50~100u" NICKEL UNDERPLATING OVERALL.  
 3. REFLOW SOLDER CAPABLE TO 260°C PER ACES SPEC.  
 4. SPEC. PLS. REFER TO PS-51625-XXXX-XXX  
 5. PACKAGE PLS. REFER TO 51625-XXXX-00-TRP  
 6. PART NUMBER

RECOMMENDED FPC/FFC DIMENSIONS  
 GENERAL TOLERANCE ±0.1

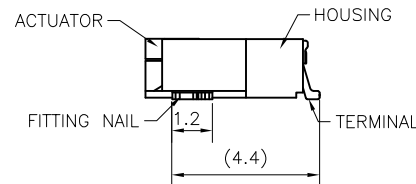
PACKING 0: TAPE & REEL 4: TAPE & REEL WITH MYLAR	NO OF CKT	XXX	HOUSING MATERIAL&COLOR	ACTUATOR MATERIAL&COLOR
	51625-XXX X X-XXX	001	HF & BLACK	HF & WHITE



SCALE 6:1



CKT	DIM A	DIM B	DIM C	DIM D	DIM E	DIM F	M/SIZE	STEP NO.
6	2.50	3.57	5.70	8.0	5.1	7.6	6.0	1.00
10	4.50	5.57	7.70	10.0	7.1	9.6	6.0	1
12	5.50	6.57	8.70	11.0	8.1	10.6	6.0	1
14	6.50	7.57	9.70	12.0	9.1	11.6	6.0	2
16	7.50	8.57	10.70	13.0	10.1	12.6	6.0	2
18	8.50	9.57	11.70	14.0	11.1	13.6	6.0	2
26	12.50	13.57	15.70	18.0	15.9	17.6	6.0	2
36	17.50	18.57	20.70	23.0	20.9	22.6	6.0	2



一般公差 <b>TOLERANCES</b> X ±0.5 XX ±0.15 X ±0.25 XXX ±0.1 ANGLES ±2°	<b>宏致電子股份有限公司</b> <b>Aces Electronics Co.,Ltd.</b>	
檢驗尺寸標示 SYMBOLS ⊕ ⊗ INDICATE CLASSIFICATION DIMENSION ⊕ MARK IS CRITICAL DIM. ⊗ MARK IS MAJOR DIM.	品名 (TITLE) 0.5 PITCH EASY ON FPC Conn. H=1.8mm TYPE	製圖 (DR) 22/08/11 Sun,Ya Jie 審核 (CHKD) Xu,Zhi Yong
	圖號 (DWG.NO) 51625-XXXX-XXX	核准 (APPD) Xu,Zhi Yong
表面處理 (FINISH)	比例 (SCALE) 3:1	單位 (UNITS) mm
	張數 (SHEET) 1 OF 1	圖號 (DWG.NO) 22/08/11 Sun,Ya Jie 審核 (CHKD) Xu,Zhi Yong
	圖號 (DWG.NO) 51625-XXXX-XXX	核准 (APPD) Xu,Zhi Yong
	圖號 (DWG.NO) 51625-XXXX-XXX	核准 (APPD) Xu,Zhi Yong