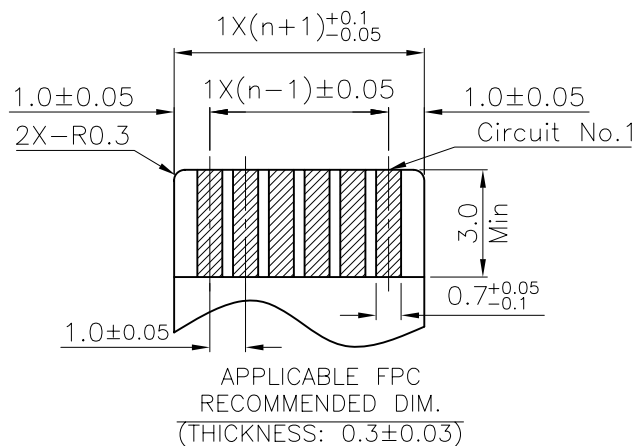


RECOMMENDED PC BOARD  
PATTERN DIM.(REF.)



NOTES:

1. MATERIAL:

- 1.1 HOUSING: THERMOPLASTIC, HIGH TEMP.,UL94V-0; COLOR:NATURAL.
- 1.2 ACTUATOR: THERMOPLASTIC, HIGH TEMP.,UL94V-0; COLOR:BLACK.
- 1.3 CONTACT: COPPER ALLOY
- 1.4 FITTING NAIL: COPPER ALLOY

2. FINISH:

- 2.1 CONTACT:50u" MIN. NICKEL PLATING OVERALL, 1: GOLD FLASH PLATING; N: 100u" MIN MATT TIN PLATING
- 2.2 FITTING NAIL:50u" MIN. NICKEL UNDERPLATING OVERALL, 100u" MIN. MATT TIN PLATING.

- 3. REFLOW SOLDER CAPABLE TO 260°C PER ACES SPEC.
- 4. SPEC. PLS. REFER TO PS-51549-XXXXX-XXX.
- 5. PACKAGE PLS. REFER TO 51615-XXXX-02-TRP.
- 6. PART NUMBER

51615-XXX X X-XXX

NO OF CKT

PACKING  
0: TAPE & REEL  
1: TUBE

HOUSING MATERIAL&COLOR	ACTUATOR MATERIAL&COLOR	HALOGEN FREE
001 HF PLASTIC & NATURAL	HF PLASTIC & BLACK	<b>HF</b>

PLATING  
1: GOLD FLASH  
N: MATT TIN

CKT	Dim A	Dim B	Dim C
6	5.00	7.07	11.90

一般公差 <b>TOLERANCES</b> X ±0.5 XX ±0.15 X ±0.25 .XXX ±0.1 ANGLES ±2°		<b>宏致電子股份有限公司</b> Aces Electronics Co.,Ltd.	
檢驗尺寸標示 <b>SYMBOLS</b> ⊕ ⊗ INDICATE CLASSIFICATION DIMENSION ⊕ MARK IS CRITICAL DIM. ⊗ MARK IS MAJOR DIM.	品名 (TITLE) 1.0 PITCH EASY ON FPC CONN H=2.0mm SMT R/A TYPE 圖號 (DWG.NO) 51615-XXXXX-XXX	製圖 (DR) 13/09/21 Wan.Bo 審核 (CHKD) Jerry 核准 (APPD) Simon	張數 (SHEET) 1 OF 2 比例 (SCALE) 3:1 單位 (UNITS) mm
表面處理 (FINISH)		張數 (SHEET) 1 OF 2 比例 (SCALE) 3:1 單位 (UNITS) mm	圖號 (DWG.NO) 51615-XXXXX-XXX 圖號 (DWG.NO) 51615-XXXXX-XXX

A

B

C

D

E

F

A

B

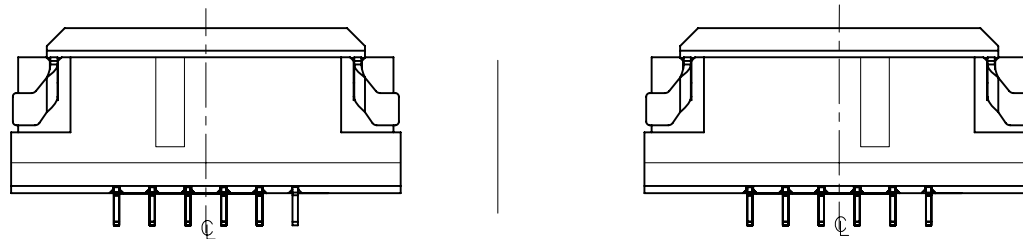
C

D

E

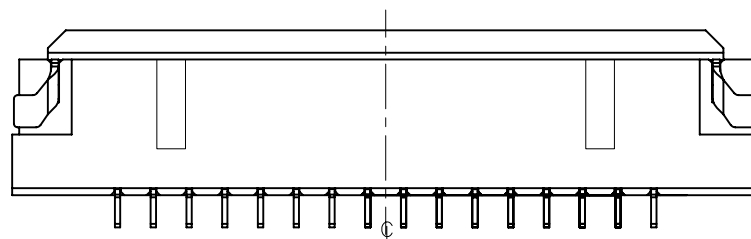
F

1



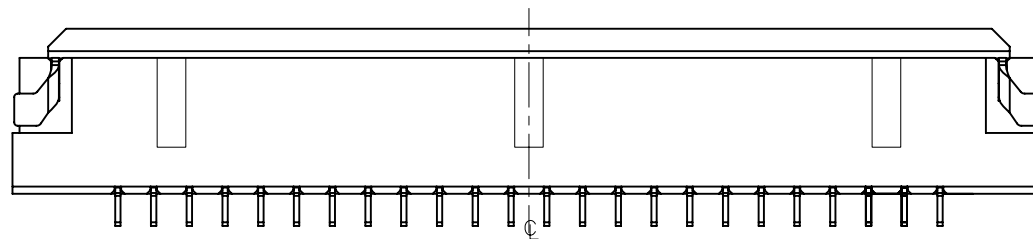
4~10PIN ONE SINK

2



11~20PIN TWO SINKS

3



20~30PIN THREE SINKS

4

5

一般公差 TOLERANCES X ±0.5 .XX ±0.15 .X ±0.25 .XXX ±0.1 ANGLES ±2°		宏致電子股份有限公司 Aces Electronics Co.,Ltd.	
檢驗尺寸標示 SYMBOLS   INDICATE CLASSIFICATION DIMENSION	品名 (TITLE) 1.0 PITCH EASY ON FPC CONN H=2.0mm SMT R/A TYPE	製圖 (DR) 13/09/21 Wan.Bo	審核 (CHKD) Jerry
MARK IS CRITICAL DIM. MARK IS MAJOR DIM.	圖號 (DWG.NO) 51615-XXXX-XXX	核准 (APPD) Simon	
表面處理 (FINISH)	比例 (SCALE) 3:1	單位 (UNITS) mm	
		張數 (SHEET) 2 OF 2	尺寸 (SIZE) A4
			版次 (REV) 0

A

B

C

D

E

F

5