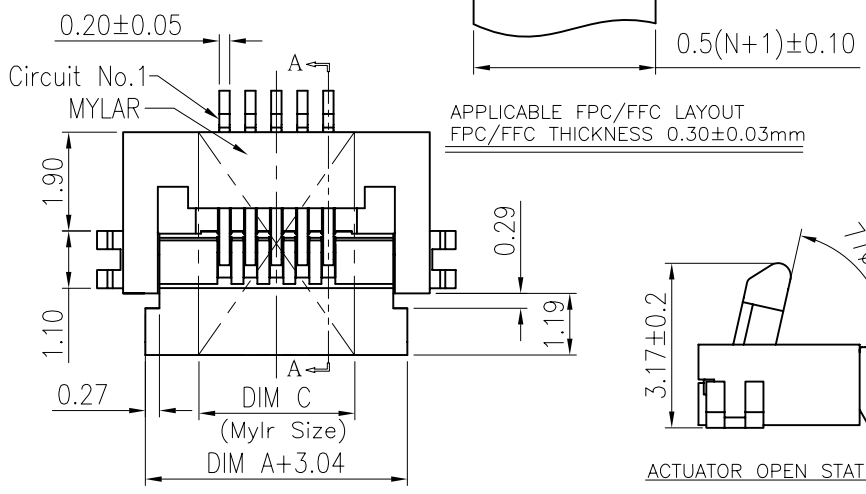


- NOTES:
- MATERIAL:
HOUSING IS HIGH TEMP THERMO PLASTIC.
TERMINAL and FITTING NAIL IS COPPER ALLOY.
 - PLATING:
2.1 contact:
50 u" MIN. NICKEL ALL OVER.
1: GOLD FLASH OVERALL.
M:3u" GOLD ON CONTACT AND SOLDER FOR SELECTIVENESS PLATING
N: 100u" MIN. MATT TIN UNDERPLATING OVERALL.
2.2 FITTING NAIL:
50u" MIN. NICKEL UNDERPLATING OVERALL.
1: GOLD FLASH UNDERPLATING OVERALL.
N: 100u" MIN. MATT TIN UNDERPLATING OVERALL.
 - THE COPLANARITY IS 0.10mm MAX.
 - THE TRUE POSITION IS 0.10mm MAX.
 - REFLOW SOLDER CAPABLE TO 260°C PER ACES SPEC.
 - SPEC. PLS. REFER TO PS-50507-xxxx-xxx
 - PACKAGE PLS. REFER TO 88195-xxxx(-U)-TRP



RECOMMEND PCB LAYOUT
GENERAL TOLORANCE ±0.10

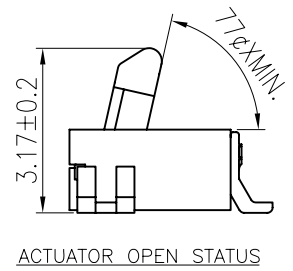
PART LEGEND

51578-XXX X X-XXX

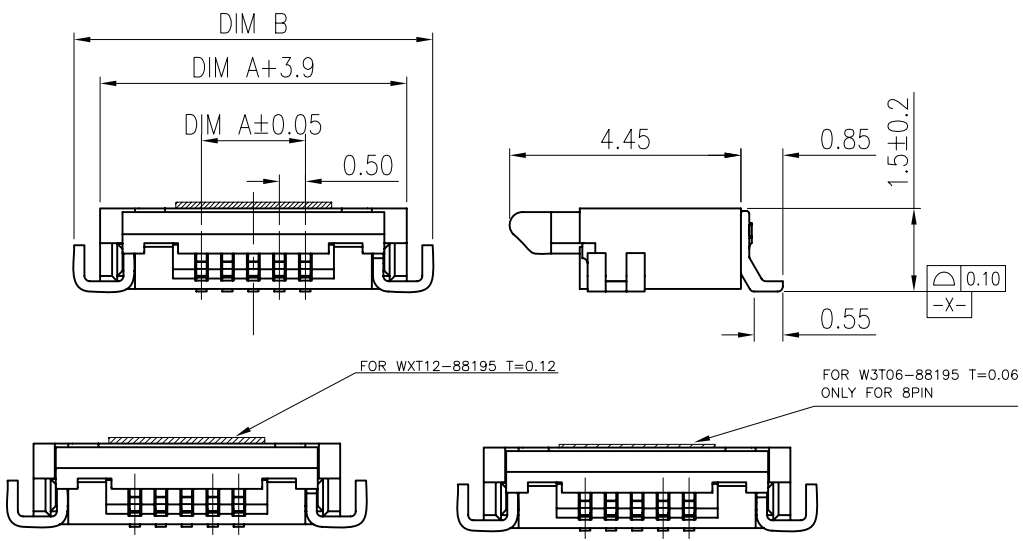
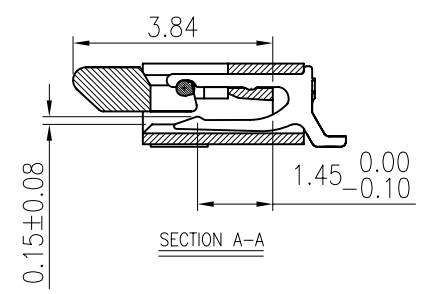
XXX	HOUSING MATERIAL&COLOR	ACTUATOR MATERIAL&COLOR	PACKAGE	OTHER
001	LCP&BLACK	PA6T&NATURAL	88195-XXCR	NA
002	LCP&BLACK	PA6T&NATURAL	88195-XXCR	FOR Debug

CKTS ————
Packing ————
0:TAPE & REEL
1:TUBE
4:T&R WITH MYLAR
5:TUBE WITH MYLAR

Plating
1:GOLD FLASH OVERALL
M:3u" GOLD ON CONTACT AND SOLDER FOR SELECTIVENESS PLATING
N: MATTE TIN(LEAD FREE)



CKTS	DIM A	DIM B	DIM C	CKTS	DIM A	DIM B	DIM C
	±0.05	±0.10	±0.20		±0.05	±0.15	±0.20
4	1.50	6.4		31	15.00	19.9	
5	2.00	6.9	W3T12	32	15.50	20.4	
6	2.50	7.4		33	16.00	20.9	
7	3.00	7.9		34	16.50	21.4	
8	3.50	8.4	W3T06	35	17.00	21.9	
9	4.00	8.9		36	17.50	22.4	
10	4.50	9.4	W3T12	37	18.00	22.9	
11	5.00	9.9		38	18.50	23.4	
12	5.50	10.4		39	19.00	23.9	
13	6.00	10.9		40	19.50	24.4	
14	6.50	11.4		41	20.00	24.9	
15	7.00	11.9	W6T12	42	20.50	25.4	
16	7.50	12.4		43	21.00	25.9	
17	8.00	12.9		44	21.50	26.4	
18	8.50	13.4		45	22.00	26.9	
19	9.00	13.9		46	22.50	27.4	
20	9.50	14.4		47	23.00	27.9	
21	10.00	14.9		48	23.50	28.4	
22	10.50	15.4		49	24.00	28.9	
23	11.00	15.9		50	24.50	29.4	
24	11.50	16.4		51	25.00	29.9	
25	12.00	16.9	WAT12	52	25.50	30.4	
26	12.50	17.4		53	26.00	30.9	
27	13.00	17.9		54	26.50	31.4	
28	13.50	18.4		55	27.00	31.9	
29	14.00	18.9		56	27.50	32.4	
30	14.50	19.4		57	28.00	32.9	



一般公差 TOLERANCES X ±0.5 XX ±0.15 X ±0.25 XXX ±0.1 ANGLES ±2°		宏致電子股份有限公司 Aces Electronics Co.,Ltd.	
檢驗尺寸標示 SYMBOLS INDICATE CLASSIFICATION DIMENSION MARK IS CRITICAL DIM. MARK IS MAJOR DIM.	品名 (TITLE) 0.5 mm ZIF Easy-on FPC S/T R/A H=1.5 mm	製圖 (DR) 12'/12/26 CANDY 審核 (CHKD) SAM	核准 (APPD) JASON
表面處理 (FINISH)	圖號 (DWG NO.) 51578-XXXXX-XXX	比例 (SCALE) 4:1	單位 (UNITS) mm
圖號 (DWG NO.) 51578-XXXXX-XXX		張數 (SHEET) 1 OF 2	尺寸 (SIZE) A4