

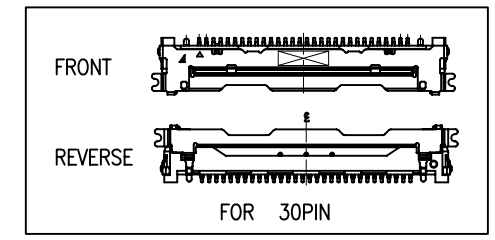


NOTES:

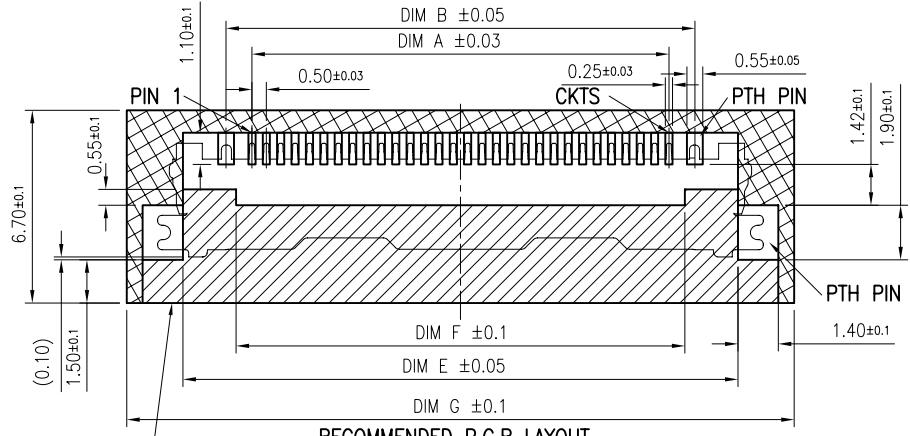
- MATERIAL:
 - HOUSING: THERMOPLASTIC, HIGH TEMP., UL94V-0; COLOR:BLACK.
 - CONTACT: COPPER ALLOY
 - SHELL: COPPER ALLOY
- FINISH:
 - CONTACT: SEE PART NO. PLATING
 - SHELL:
 - 50 μ MIN NICKEL UNDERPLATING OVERALL
 - 1 μ MIN GOLD FLASH
 - REFLOW SOLDER CAPABLE TO 260°C PER ACES SPEC.
- SPEC. PLS. REFER TO PS-51381-XXXX-XXX
- PACKAGE PLS. REFER TO 50473-XXXX-XX-TRP
- MATING CONNECTOR P/N 51380-XXXX-XXX
- PART NUMBER: 51381-XXX X X-XXX

| | | | | |
|-----------|-------|-------|-------------------|--------------|
| NO OF CKT | Other | COLOR | PACKAGE | Halogen Free |
| XXX: CKTS | 001 | BLACK | 50473-XXXX-XX-TRP | Y |

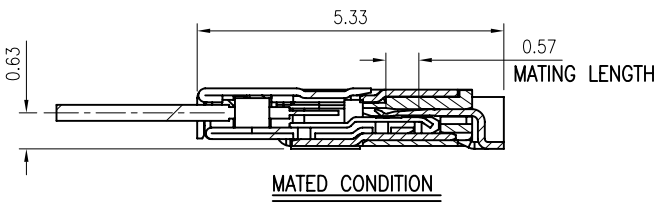
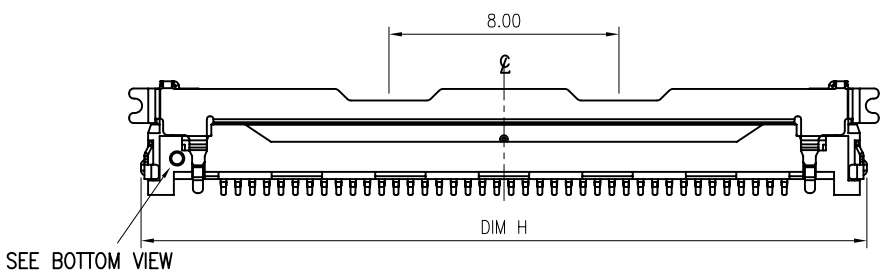
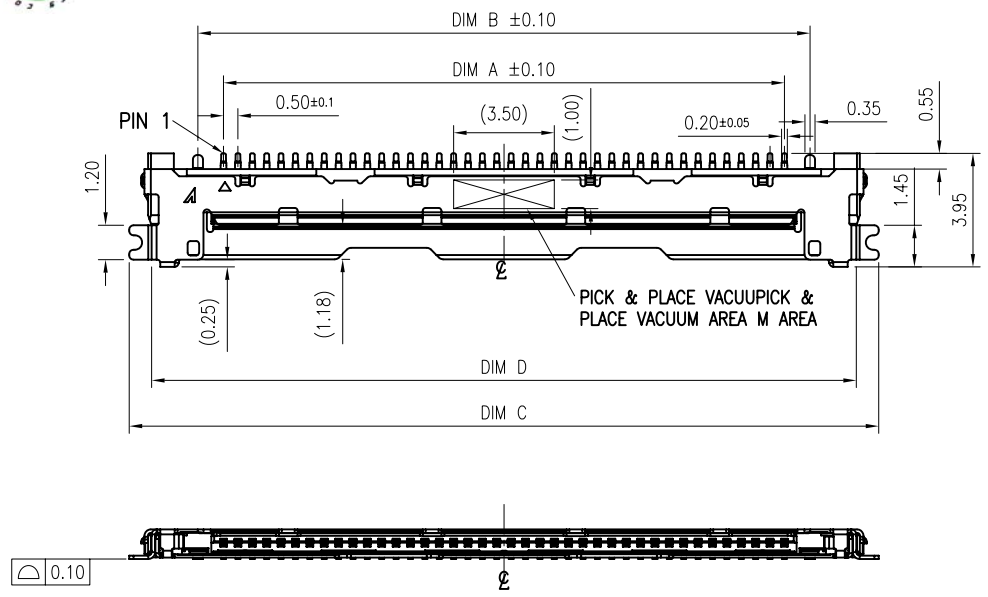
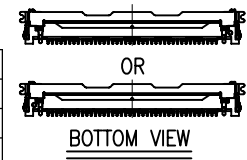
PACKING: 0:Tape & Reel
 PLATING: M: PLATING 50 μ MIN NICKEL PLATING OVERALL
 3 μ " GOLD ON CONTACT AND 3 μ " GOLD ON SOLDER TAIL



RECOMMENDED P.C.B LAYOUT



CUT OUT PROHIBITION AREA BUT IT IS AVAILABLE AFTER RESIST



| PART/No. | CKT. | DIMA | DIMB | DIMC | DIMD | DIME | DIMF | DIMG | DIMH | Available |
|-----------------|-------|-------|-------|-------|-------|-------|-------|-------|-------|-----------|
| 51381-020XX-XXX | 20PIN | 9.50 | 11.30 | 16.06 | 14.50 | 14.30 | 10.60 | 18.20 | 15.24 | YES |
| 51381-030XX-XXX | 30PIN | 14.50 | 16.30 | 21.06 | 19.50 | 19.30 | 15.60 | 23.20 | 20.24 | YES |
| 51381-040XX-XXX | 40PIN | 19.50 | 21.30 | 26.06 | 24.50 | 24.30 | 20.60 | 28.20 | 25.24 | YES |

| | | | |
|---|--|---|--|
| 一般公差 TOLERANCES X ± 0.5 XX ± 0.15 X ± 0.25 XXX ± 0.1 ANGLES $\pm 2^\circ$ | | 宏致電子股份有限公司 Aces Electronics Co.,Ltd. | |
| 檢驗尺寸標示 SYMBOLS \odot \oplus INDICATE CLASSIFICATION DIMENSION \odot MARK IS CRITICAL DIM. \oplus MARK IS MAJOR DIM. | 品名 (TITLE) LVDS CONNECTOR 0.5mm PITCH H=1.00mm 圖號 (DWG.NO) 51381-XXXXX-XXX | 製圖 (DR) 17/08/16 審核 (CHKD) BRAVE | 製圖 (DR) XIUJIN 審核 (CHKD) BRAVE |
| 表面處理 (FINISH) | 比例 (SCALE) 4:1 | 單位 (UNITS) mm | 張數 (SHEET) 1 OF 1 尺寸 (SIZE) A4 頁碼 (REV) 0 |