

NOTES:

1. MATERIAL:
 - 1.1 HOUSING: LCP HA475-BLACK, HIGH TEMP.,UL94V-0
 - 1.2 CONTACT: PHOSPHOR BRONZE
2. FINISH:

CONTACT:

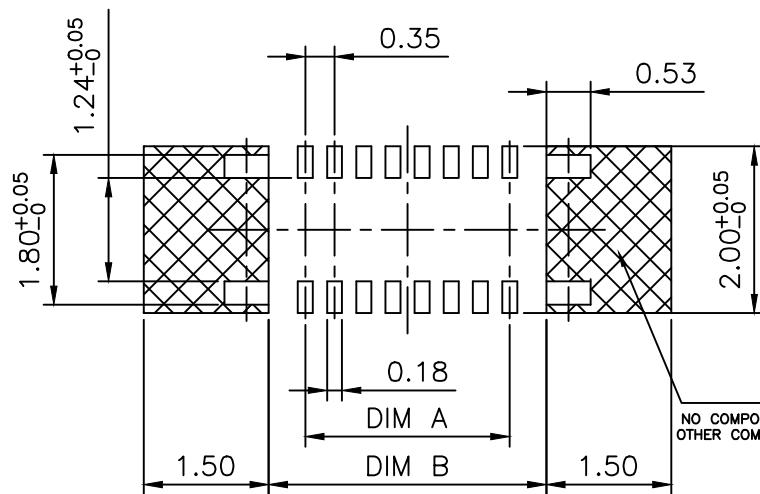
 - 1: 50u" MIN. NICKEL PLATING OVERALL
GOLD PLATING 3u" MIN. ON CONTACT AND SOLDER
3. SPEC. PLS. REFER TO PS-51083-XXXXX-XXX
4. PACKAGE PLS. REFER TO 51084-XXXCR-XX
5. PART NUMBER

51084-XXX X X- 001

NO OF CKT: |

PACKING: |
0: TAPE & REEL

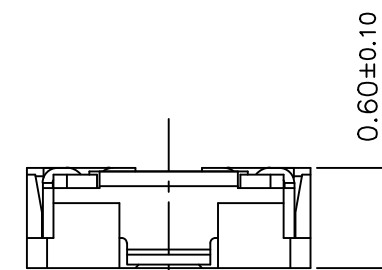
PLATING: |
5: GOLD PLATING 3u" MIN. ON CONTACT AND SOLDER



RECOMMENDED PCB LAYOUT
GENERAL TOLERANCE ±0.03

INSULATION AREA

NO COMPONENTS AND NON CONDUCTIVE TRACES AND VIAS FOR OTHER COMPONENTS WHICH COULD INTERFERE WITH RECEPTACLE



MATED CONDITION(20:1)

| | | | | |
|---|-----------------|----------|--|-----------------|
| QUALITY SYMBOLS MAJOR Ⓢ CRITICAL Ⓢ | DRAWN BY | DATE | | |
| | TSO I CHIAO | 22/07/20 | | |
| GENERAL TOLERANCES (UNLESS SPECIFIED) | CHECKED BY | DATE | TITLE 0.35mm PITCH BOARD TO FPC CONN (RCPT) | |
| | Chen, Chun Yuan | 22/07/20 | | |
| X. ±0.5 .X ±0.25 .XX ±0.15 .XXX ±0.1 ANGLES ±2° | APPROVED BY | DATE | SIZE | DWG NO. |
| | Huang Kuo Hua | 22/07/20 | A4 | 51084-XXXXX-XXX |
| | UNITS | | SCALE | SHEET NO. |
| | mm | | 10 : 1 | 1 OF 1 |
| | | | REV | PART NO. |
| | | | A | SEE NOTES |

| | | | |
|-----|-------|-------|-------|
| 016 | 2.45 | 3.33 | 5.40 |
| CKT | DIM A | DIM B | DIM C |