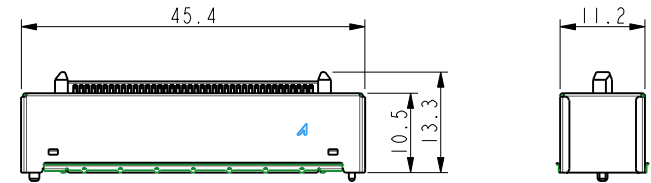
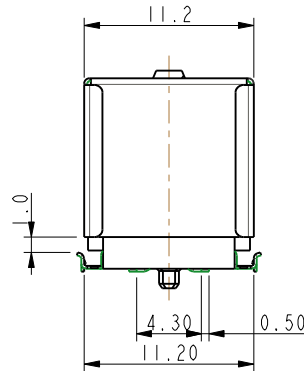
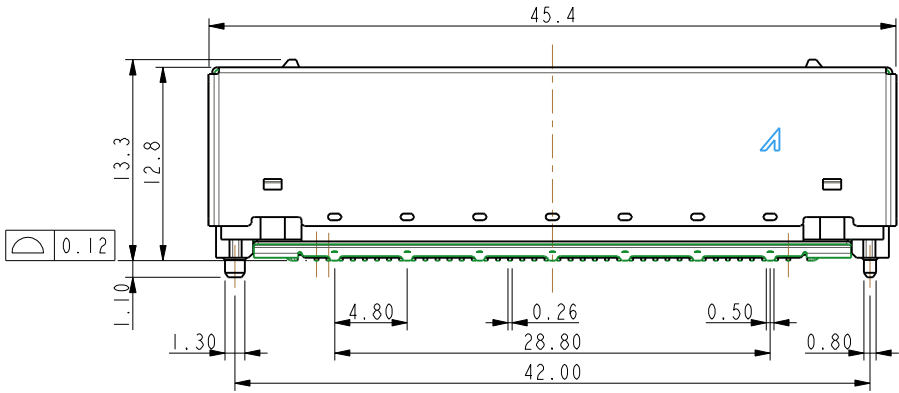
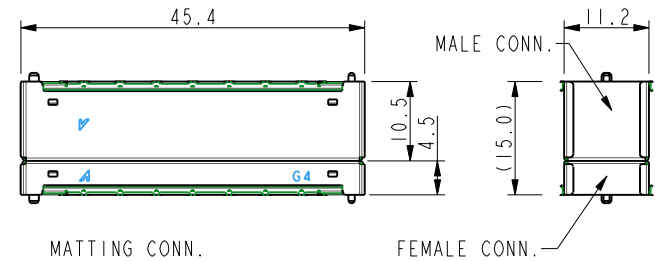


- NOTES:
- MATERIAL:
 - HOUSING: THERMOPLASTIC, HIGH TEMP., UL94V-0; COLOR: BLACK.
 - COVER: THERMOPLASTIC, HIGH TEMP., UL94V-0; COLOR: BLACK.
 - CONTACT: COPPER ALLOY
 - FITTING NAIL: COPPER ALLOY
 - SHELL: SUS
 - FINISH:
 - CONTACT: SEE ORDER INFORMATION.
 - UNDERPLATING: 50~100u" NICKEL OVERALL.
 - REFLOW SOLDER CAPABLE TO 260°C PER ACES SPEC.
 - SPEC. PLS. REFER TO PS-51080-xxxxx-xxx
 - PACKAGE PLS. REFER TO 51082xxxCR-00
 - MATING CONNECTOR P/N: 51081-xxxxx-xxx
 - PART NUMBER
51082-XXX X X-001

- CKTS ———— CONTACT PLATING
 080.80PIN ———— 2.GOLD FLASH
 PACK ————
 7.TAPE&REEL WITH COVER



STEEL ASSEMBLY DIMENSIONS
Scale 1:1



PROPOSAL DRAWING

RECOMMEND PCB LAYOUT
GENERAL TOLERANCE ±0.05

PIN DEFINE

Pin	1	2	3	4	5	6	7	8	9	10	11	12	13	14	15	16	17	18	19	20
SIDE A	G	G	S	S	G	G	S	S	G	G	S	S	G	G	S	S	G	G	S	S
SIDE B	-	-	G	G	S	S	G	G	S	S	G	G	S	S	G	G	S	S	G	G
Pin	21	22	23	24	25	26	27	28	29	30	31	32	33	34	35	36	37	38	39	40
SIDE A	G	G	S	S	G	G	S	S	G	G	-	-	-	-	-	-	-	-	-	-
SIDE B	S	S	G	G	S	S	G	G	S	S	G	G	-	-	-	-	-	-	-	-

QUALITY SYMBOLS MAJOR CRITICAL	DRAWN BY Chen, chun yuan	DATE 19/06/12	
	CHECKED BY Iso, i chiao	DATE 19/06/12	
GENERAL TOLERANCES (UNLESS WPECIFIED)	APPROVED BY Wang, chun sheng	DATE 19/06/12	TITLE 0.8mm BTB CONN. H:15.0mm MALE SIDE
	X. ±0.5 .X ±0.25 .XX ±0.15 .XXX ±0.1 ANGLES ±2°	UNITS mm	
	SCALE 2:1	SHEET NO. 1 OF 1	DRAW NO. 51082-xxxxx-xxx
		REV. A	PART NO. SEE NOTES