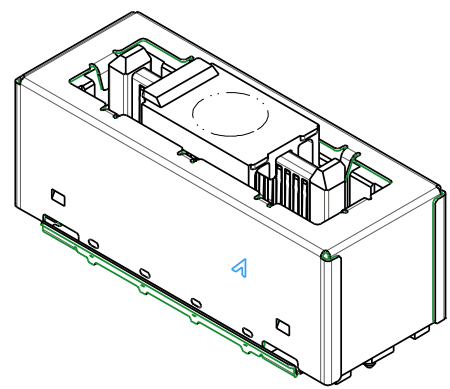
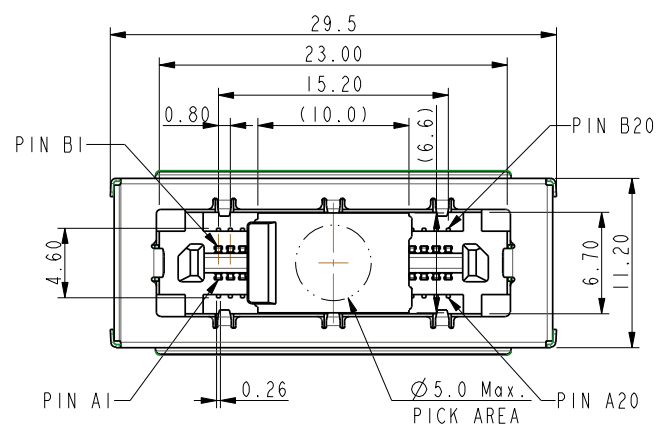
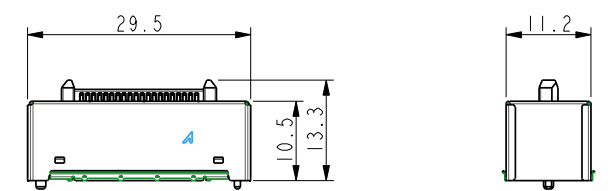
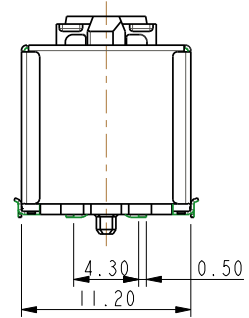
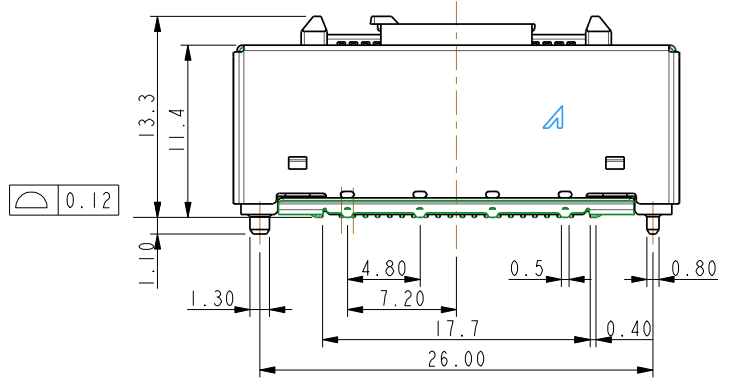




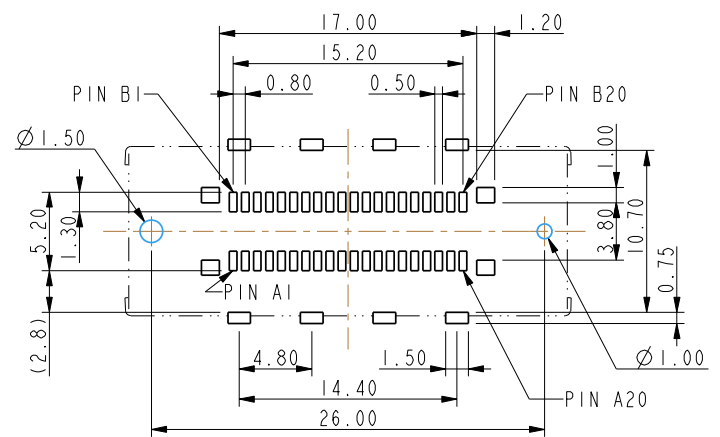
A B C D E F



- NOTES:
- MATERIAL:
    - HOUSING: THERMOPLASTIC, HIGH TEMP., UL94V-0; COLOR: BLACK.
    - COVER: THERMOPLASTIC, HIGH TEMP., UL94V-0; COLOR: BLACK.
    - CONTACT: COPPER ALLOY
    - FITTING NAIL: COPPER ALLOY
    - SHELL: SUS
  - FINISH:
    - CONTACT: SEE ORDER INFORMATION.
    - UNDERPLATING: 50~100u" NICKEL OVERALL.
  - REFLOW SOLDER CAPABLE TO 260°C PER ACES SPEC.
  - SPEC. PLS. REFER TO PS-51080-xxxxx-xxx
  - PACKAGE PLS. REFER TO 51080-xxxCR-00
  - MATING CONNECTOR P/N: 51079-xxxxx-xxx
  - PART NUMBER  
51080-XXX X X-001
- CKTS ———— CONTACT PLATING  
 040.40PIN ———— 2.GOLD FLASH  
 PACK ————  
 7.TAPE&REEL WITH COVER

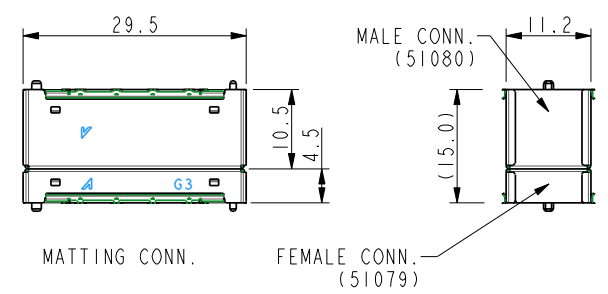


STEEL ASSEMBLY DIMENSIONS  
Scale 1:1



RECOMMEND PCB LAYOUT  
GENERAL TOLERANCE ±0.05

PROPOSAL DRAWING



MATING CONN.

FEMALE CONN.  
(51079)

QUALITY SYMBOLS MAJOR CRITICAL	DRAWN BY <b>Chen, chun yuan</b>	DATE 20' / 03 / 25	
	CHECKED BY <b>Iso, i chiao</b>	DATE 20' / 03 / 25	
GENERAL TOLERANCES (UNLESS WPECIFIED)  X. ±0.5 .X ±0.25 .XX ±0.15 .XXX ±0.1 ANGLES ±2°	APPROVED BY <b>Wang, chun sheng</b>	DATE 20' / 03 / 25	TITLE 0.8mm BTB CONN. H:15.0mm MALE SIDE
	UNITS mm		SIZE A4
SCALE 2:1	SHEET NO. 1 OF 1	REV. A	PART NO. SEE NOTES

B C D E F