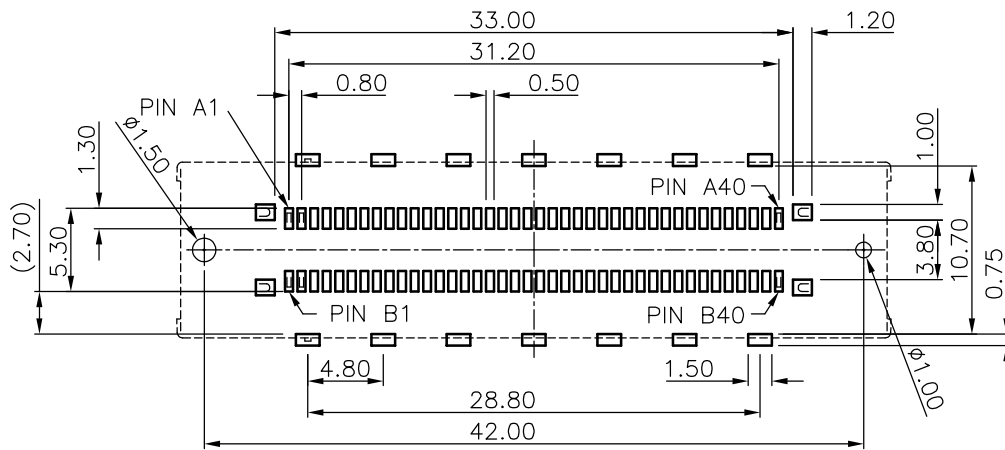
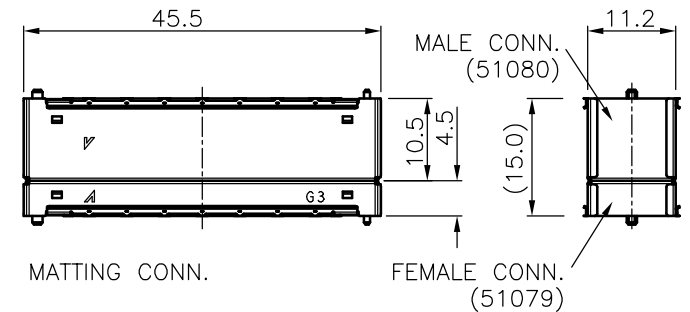
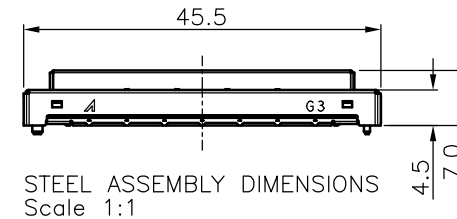
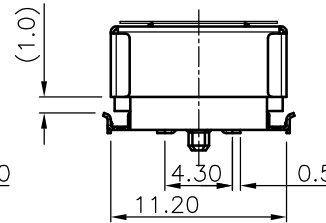
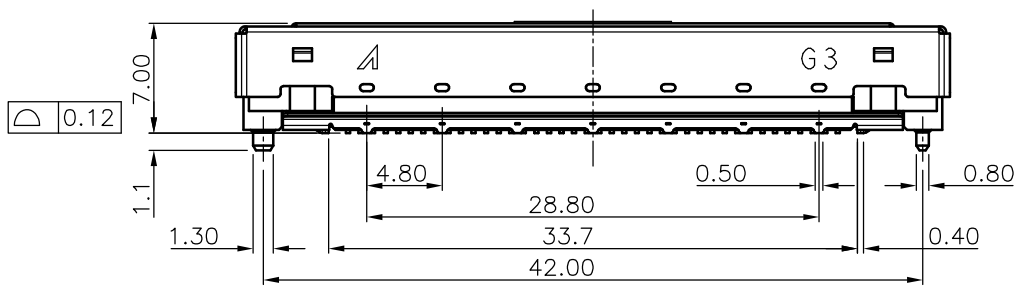


NOTES:

1. MATERIAL:
  - 1.1 HOUSING:THERMOPLASTIC, HIGH TEMP., UL94V-0; COLOR:BLACK.
  - 1.2 CONTACT:COPPER ALLOY
  - 1.3 FITTING NAIL:COPPER ALLOY
  - 1.4 SHELL:SUS
  - 1.5 SHELL:COPPER ALLOY
2. FINISH:
  - CONTACT:SEE ORDER INFORMATION.
  - UNDERPLATING: 50~100u" NICKEL OVERALL.
3. REFLOW SOLDER CAPABLE TO 260°C PER ACES SPEC.
4. SPEC. PLS. REFER TO PS-51079-xxxx-xxx
5. PACKAGE PLS. REFER TO 51079-xxxCR-00
6. MATING CONNECTOR P/N:51080-xxxx-xxx
7. PART NUMBER  
51079-XXX X X-001

CKTS \_\_\_\_\_ CONTACT PLATING  
 080.80PIN \_\_\_\_\_ 2.GOLD FLASH  
 PACK \_\_\_\_\_  
 4.TAPE&REEL WITH MYLAR



RECOMMEND PCB LAYOUT  
GENERAL TOLERANCE ±0.05

QUALITY SYMBOLS MAJOR CRITICAL GENERAL TOLERANCES ( UNLESS SPECIFIED ) X. ±0.5 .X ±0.25 .XX ±0.15 .XXX ±0.1 ANGLES ±2°	DRAWN BY CHEN CHUN YUAN	DATE 19/12/11	
	CHECKED BY TSO I HUNG	DATE 19/12/11	
	APPROVED BY WANG CHUN SHENG	DATE 19/12/11	RFO NO. N/A
	UNITS mm		SIZE A4
	SCALE 2:1	SHEET NO. 1 OF 1	REV A
			DWG NO. 51079-xxxx-xxx