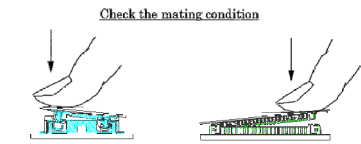
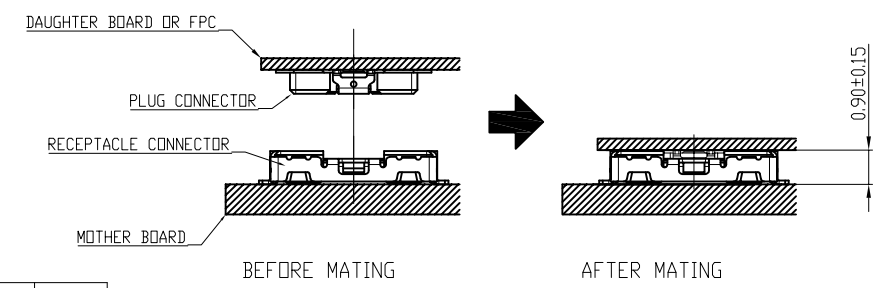
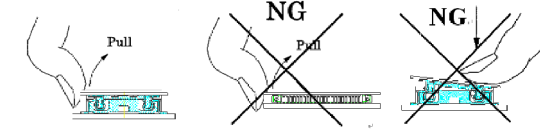


MATING PROCEDURE:



UNMATING PROCEDURE:



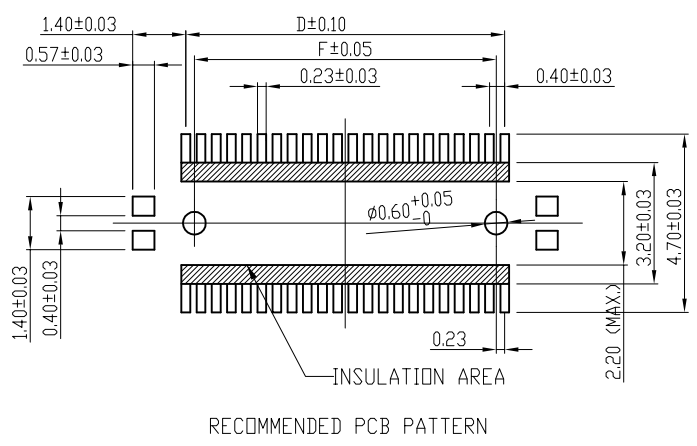
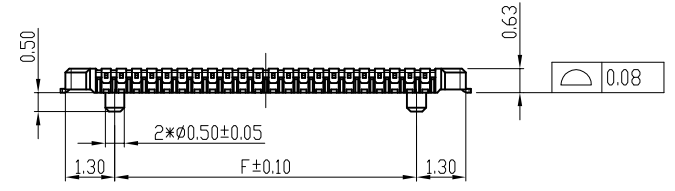
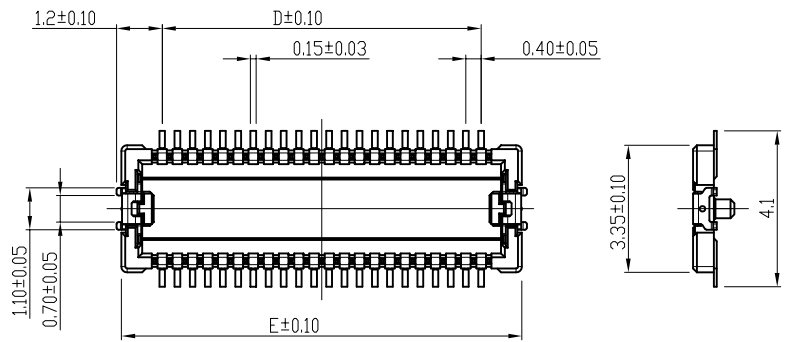
PIN	D	E
40	7.60	9.75
50	9.60	11.75
60	11.60	13.75
70	13.60	15.75
80	15.60	17.75

- NOTES:**
- MATERIAL:**
 - HOUSING: THERMOPLASTIC, HIGH TEMP., UL94V-0
 - CONTACT: COPPER ALLOY
 - FITTING NAIL: COPPER ALLOY
 - FINISH:**

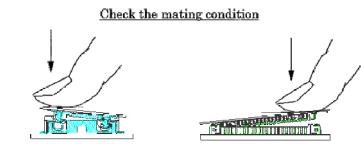
CONTACT: SEE ORDER INFORMATION.
 SOLDER: GOLD FLASH (1u" Min.)
 UNDERPLATING: 50~100u" NICKEL OVERALL.

- REFLOW SOLDER CAPABLE TO 260°C PER ACES SPEC.
 - SPEC. PLS. REFER TO PS-51015-XXXXX
 - PACKAGE PLS. REFER TO 51015-XXXXR-00
 - MATING CONNECTOR P/N: 51016
 - PART NUMBER: 51015-XXX X X-XXX
 - CKT: _____
 - PACKING: _____
 - 0.TAPE REEL
 - CONTACT PLATING: 1.G/F (1u" Min.) OVERALL (LEAD FREE)
- COLOR: 001.BLACK, 002.WHITE

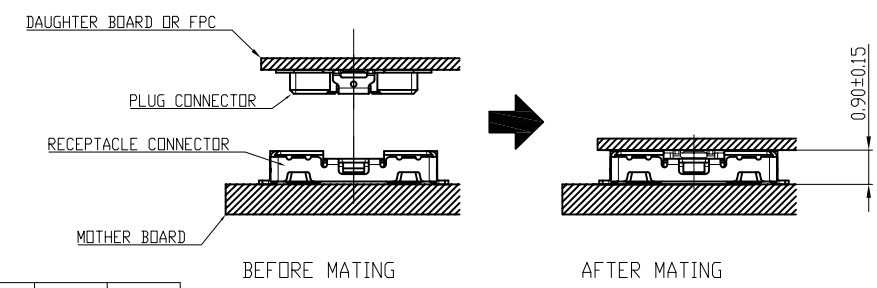
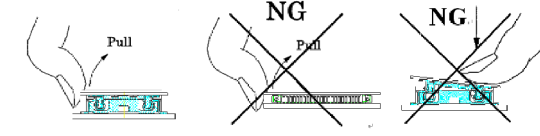
一般公差 TOLERANCES X ±0.5 XX ±0.15 X ±0.25 XXX ±0.1 ANGLES ±2°		宏致電子股份有限公司 Aces Electronics Co.,Ltd.	
檢驗尺寸標示 SYMBOLS ⊕ ⊗ INDICATE CLASSIFICATION DIMENSION ⊕ MARK IS CRITICAL DIM. ⊗ MARK IS MAJOR DIM.	品名 (TITLE) 0.4mm BOARD TO FPC H:0.9mm PLUG	製圖 (DR) '14/10/29 CARL	審核 (CHKD) RYAN
	圖號 (DWG NO.) 51015-XXXXX-XXX	核准 (APPD) JASON	
表面處理 (FINISH)	比例 (SCALE) 5:1	單位 (UNITS) mm	張數 (SHEET) 1 OF 2
			圖號 (DWG NO.) 1 OF 2
			圖號 (DWG NO.) A4
			圖號 (DWG NO.) B



MATING PROCEDURE



UNMATING PROCEDURE



PIN	D	E	F
40	7.60	9.75	7.15
50	9.60	11.75	9.15
60	11.60	13.75	11.15
70	13.60	15.75	13.15
80	15.60	17.75	15.15

- NOTES:**
- MATERIAL:**
 - HOUSING: THERMOPLASTIC, HIGH TEMP., UL94V-0
 - CONTACT: COPPER ALLOY
 - FITTING NAIL: COPPER ALLOY
 - FINISH:**

CONTACT: SEE ORDER INFORMATION.
 SOLDER: GOLD FLASH (1u" Min.)
 UNDERPLATING: 50~100u" NICKEL OVERALL.

- REFLOW SOLDER CAPABLE TO 260°C PER ACES SPEC.
- SPEC. PLS. REFER TO PS-51015-XXXXX
- PACKAGE PLS. REFER TO 51015-XXXXR-05
- MATING CONNECTOR P/N: 51016
- PART NUMBER: 51015-XXX X X-XXX
- CKT: _____ COLOR: _____
- PACKING: _____ 003. BLACK WITH BOSS
0. TAPE REEL _____ 004. WHITE WITH BOSS
- CONTACT PLATING: 1.G/F (1u" Min.) OVERALL (LEAD FREE)

一般公差 TOLERANCES X ±0.5 JY ±0.15 X ±0.25 JXX ±0.1 ANGLES ±2°		宏致電子股份有限公司 Aces Electronics Co.,Ltd.	
檢驗尺寸標示 SYMBOLS ⊙ ⊕ INDICATE CLASSIFICATION DIMENSION ⊙ MARK IS CRITICAL DIM. ⊕ MARK IS MAJOR DIM.	品名 (TITLE) 0.4mm BOARD TO FPC H:0.9mm PLUG (WITH BOSS)	製圖 (DR) '14/10/29 CARL 審核 (CHKD) RYAN	圖號 (DWG NO.) 51015-XXXXX-XXX 核准 (APPD) JASON
表面處理 (FINISH)	比例 (SCALE) 5:1	單位 (UNITS) mm	張數 (SHEET) 2 OF 2 圖號 (DWG NO.) 51015-XXXXX-XXX
			圖號 (DWG NO.) 51015-XXXXX-XXX