

RECOMMENDED PCB LAYOUT
GENERAL TOLERANCE ±0.05

NOTES:

1. MATERIAL:

- 1.1 HOUSING: THERMOPLASTIC, HIGH TEMP., UL94V-0; COLOR IS Natural.
- 1.2 CONTACT: COPPER ALLOY

2. FINISH:

- 2.1 CONTACT: 50u"~100u" NICKEL UNDERPLATING OVERALL. 1.GOLD FLASH PLATING.

3. IR REFLOW CAPABLE TO 260°C PER ACES SPEC.

4. SPEC. PLS. REFER TO PS-50181-XXXX

5. PACKAGE PLS. REFER TO 51007-XXXX-00-TRP OR 51007-XXXX-05-TRP

6. PART NUMBER

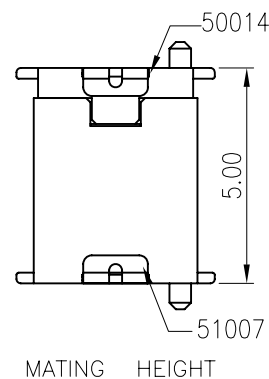
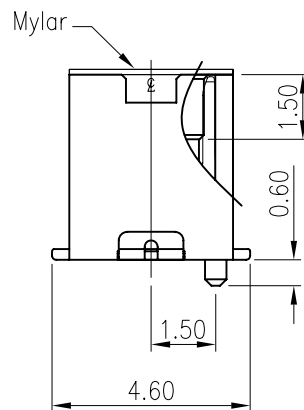
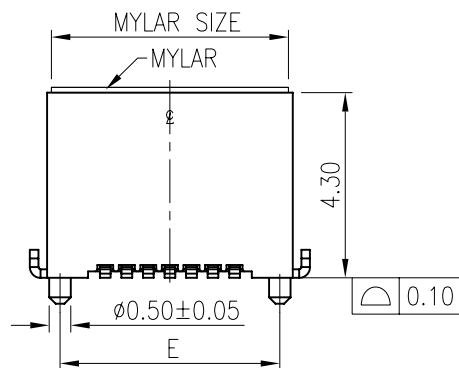
51007-XXX X X-XXX

XXX	COLOR	POLARIZATION
001	NATURAL	WITH BOSS & WITH FITTING NAIL
002	NATURAL	WITH OUT BOSS & WITH FITTING NAIL
003	NATURAL	WITH BOSS & WITH OUT FITTING NAIL
004	NATURAL	WITH OUT BOSS & WITH OUT FITTING NAIL

No Of Contact _____ Plating _____

0:Tape & Reel
1:Tube
4:Tape & Reel with Mylar
5:Tube with Mylar

1: Gold Flash



CKT	DIM A	DIM B	DIM C	DIM D	DIM E	DIM F	DIM G	MYLAR SIZE
010	4.7	2.0	2.8	3.2	4.1	2.8	5.5	3.0
014	5.7	3.0	3.8	4.2	5.1	3.8	6.5	3.0
020	7.2	4.5	5.3	5.7	6.6	5.3	8.0	5.5
030	9.7	7.0	7.8	8.2	9.1	7.8	10.5	6.0
032	10.2	7.5	8.3	8.7	9.6	8.3	11.0	6.0
036	11.2	8.5	9.3	9.7	10.6	9.3	12.0	6.0
040	12.2	9.5	10.3	10.7	11.6	10.3	13.0	6.0
050	14.7	12.0	12.8	13.2	14.1	12.8	15.5	6.0
060	17.2	14.5	15.3	15.7	16.6	15.3	18.0	6.0
080	22.2	19.5	20.3	20.7	21.6	20.3	23.0	6.0

一般公差 TOLERANCES X ±0.5 XX ±0.15 X ±0.25 XXX ±0.1 ANGLES ±2°		宏致電子股份有限公司 Aces Electronics Co.,Ltd.	
檢驗尺寸標示 SYMBOLS (S) (D) INDICATE CLASSIFICATION DIMENSION (C) MARK IS CRITICAL DIM. (M) MARK IS MAJOR DIM.	品名 (TITLE) 0.5mm B-T-B CONNECTOR PLUG D/R S/T SMT TYPE	製圖 (DR) GUKEQING 14/12/04 審核 (CHKD) TIM	圖號 (DWG.NO) 51007-XXXX-XXX 核准 (APPD) TIM
表面處理 (FINISH)	比例 (SCALE) 1:1	單位 (UNITS) mm	張數 (SHEET) 1 OF 1 圖號 (DWG.NO) A4 圖號 (DWG.NO) B