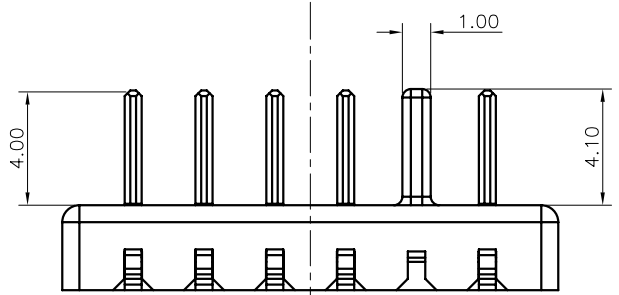


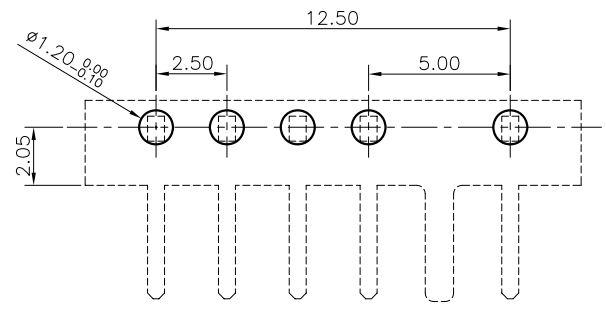
- NOTES:
- MATERIAL:
    - HOUSING: HALOGEN FREE PLASTIC, HIGH TEMP., UL94V-0; COLOR:BLACK.
    - CONTACT: COPPER ALLOY
  - FINISH:
    - CONTACT: 50u"~100u" NICKEL UNDERPLATING OVERALL. GOLD 5u" PLATING ON CONTACT AREA.
  - REFLOW SOLDER CAPABLE TO 260°C PER ACES SPEC.
  - SPEC. PLS. REFER TO PS-50976-XXXXX-XXX
  - PACKAGE PLS. REFER TO 50976-XXXXX-XXX-TRP-C-aces
  - PART NUMBER



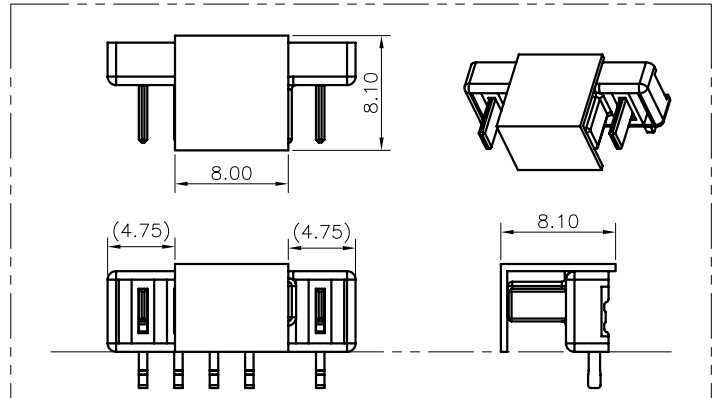
50976-XXX X X-XXX

CKTS	XXX	COLOR	DIM A	PACKING
	001	BLACK	2.55	50976-005CRC
	002	BLACK	1.80	50976-005CRC
	003	BLACK	1.80	50976-005CR-01

PACKING — PLATING  
 7:TAPE&REELWITH COVER B:GOLD 5u" CONTACT  
 8:TUBE WITH COVER



RECOMMENDED PCB LAYOUT  
 GENERAL TOLERANCE ±0.05



WITH COVER DRAWING

一般公差 <b>TOLERANCES</b> X ±0.5 .XX ±0.15 X ±0.25 .XXX ±0.1 ANGLES ±2°		<b>宏致電子股份有限公司</b> <b>Aces Electronics Co.,Ltd.</b>	
檢驗尺寸標示 SYMBOLS  INDICATE CLASSIFICATION DIMENSION	品名 (TITLE) 2.5mm PITCH BATTERY 5PIN T/H R/A MALE H=5.7mm	製圖 (DR) GUKEQING 14/04/16 審核 (CHKD) DAVID	
MARK IS CRITICAL DIM. MARK IS MAJOR DIM.	圖號 (DWG.NO) 50976-XXXXX-XXX	核准 (APPD) DAVID	
表面處理 (FINISH)	比例 (SCALE) 4:1	單位 (UNITS) mm	張數 (SHEET) 1 OF 2 尺寸 (SIZE) A4 版數 (REV) B