

NOTES:

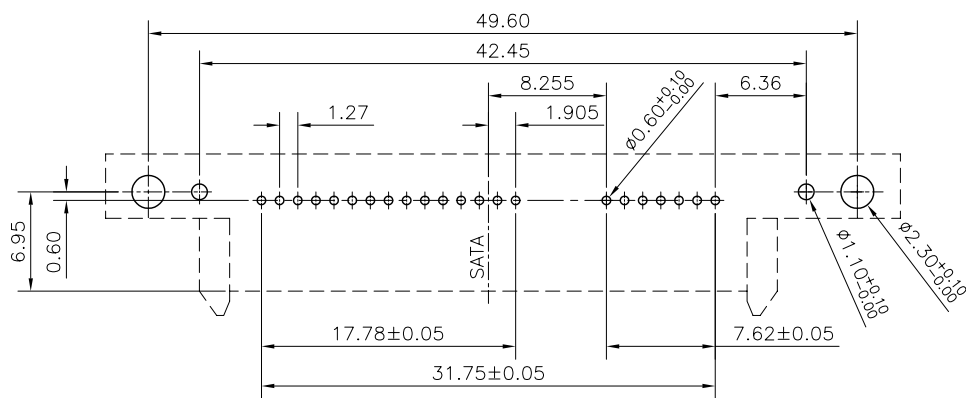
- MATERIAL:
  - HOUSING: HALOGEN FREE PLASTIC, HIGH TEMP., UL94V-0; COLOR:BLACK.
  - CONTACT: COPPER ALLOY
  - NUT: COPPER ALLOY
- FINISH:
  - CONTACT:
    - PLATING 50u" MIN. NICKEL PLATING OVERALL
    - A: 100u" MIN TIN PLATING ON SOLDER TAIL
    - GOLD FLASH PLATING ON CONTACT AREA
    - C: 100u" MIN TIN PLATING ON SOLDER TAIL
    - 15u" MIN. GOLD PLATING ON CONTACT AREA
  - NUT:
    - 50u" MIN. NICKEL UNDERPLATING OVERALL.
- REFLOW SOLDER CAPABLE TO 260° C PER ACES SPEC.
- SPEC. PLS. REFER TO PS-50800-XXXX-XXX
- PACKAGE PLS. REFER TO 91904-XXXX-TRP
- PART NUMBER

NO.	HOUSING COLOR	LOGO	Halogen Free
001	BLACK	ACES	Y
002	BLACK	3eY	Y

NO OF CKT: 022 : 22PIN

PLATING: A:3u" GOLD ON CONTACT FOR LEAD FREE, C:15u" GOLD ON CONTACT FOR LEAD FREE

PACKING: 7:TAPE & REEL WITH COVER, 8:TUBE WITH COVER



RECOMMENDED PCB LAYOUT (COMPONENT SIDE)  
 PCB THICKNESS GENERAL TOLERANCE ±0.05  
 PCB THICKNESS: 1.2mm

一般公差 <b>TOLERANCES</b> X ±0.5 XX ±0.15 Y ±0.25 XXX ±0.1 ANGLES ±2°		<b>宏致電子股份有限公司</b> Aces Electronic Co.,Ltd.	
檢驗尺寸標示 SYMBOLS ⊕ ⊗ INDICATE CLASSIFICATION DIMENSION ⊕ MARK IS CRITICAL DIM. ⊗ MARK IS MAJOR DIM.	品名 (TITLE) 1.27mm PITCH SATA CONN DIP S/T T/C TYPE (H=2.3)	製圖 (DR) 08/10/15 Ring	審核 (CHKD) SAM
表面處理 (FINISH)	圖號 (DWG.NO) 50805-XXX-XXX	核准 (APPD) JASON	張數 (SHEET) 1 OF 1
比例 (SCALE) 2:1	單位 (UNITS) mm		尺寸 (SIZE) A4

REV	REVISION DESCRIPTION	DATE	SIGNATURE
A	修改電鍍碼說明(ECN-0901080)	'09/1/15	Ring
0	FOR APP970142新增無鹵料號	08/10/15	Ring