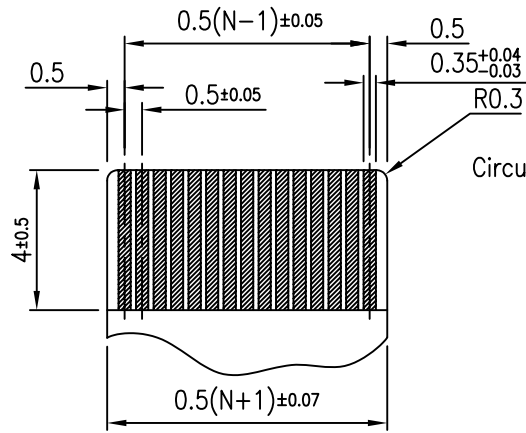


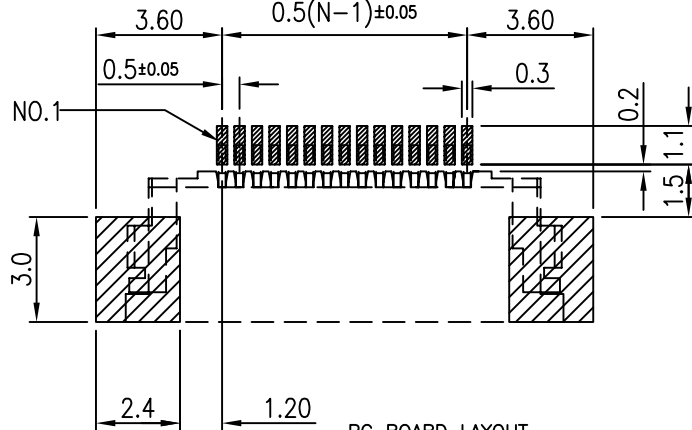


A | B | C | D | E | F



RECOMMENDED APPLICABLE FPC LAYOUT

(THICKNESS: 0.3±0.03)



PC BOARD LAYOUT

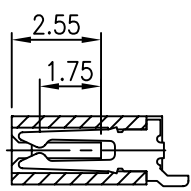
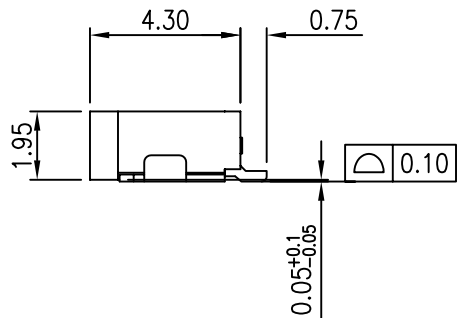
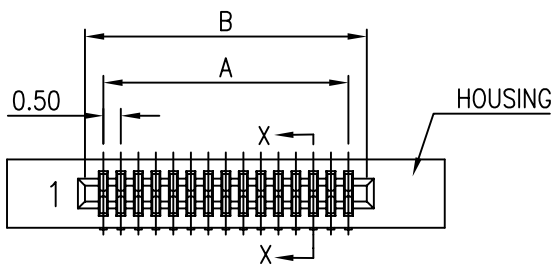
NOTES:

- MATERIAL:
  - HOUSING: THERMOPLASTIC, HIGH TEMP., UL94V-0; COLOR: BLACK OR NATURAL.
  - CONTACT: COPPER ALLOY
  - FITTING NAIL: COPPER ALLOY
- FINISH:
  - CONTACT:
    - 50u" MIN. NICKEL UNDERPLATING OVERALL.
    - 1:GOLD FLASH UNDERPLATING OVERALL.
    - N:100u" MIN. MATT TIN UNDERPLATING OVERALL.
  - FITTING NAIL:
    - 50u" MIN. NICKEL UNDERPLATING OVERALL.
    - 1:GOLD FLASH UNDERPLATING OVERALL.
    - N:100u" MIN. MATT TIN UNDERPLATING OVERALL.
- REFLOW SOLDER CAPABLE TO 260°C PER ACES SPEC.
- SPEC. PLS. REFER TO PS-50621-XXXX-XXX.
- PACKAGE PLS. REFER TO 87151-xxx2-TRP
- PART NUMBER

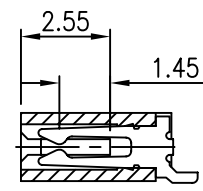
P/N LEGEND

50623-XXX X X-XXX

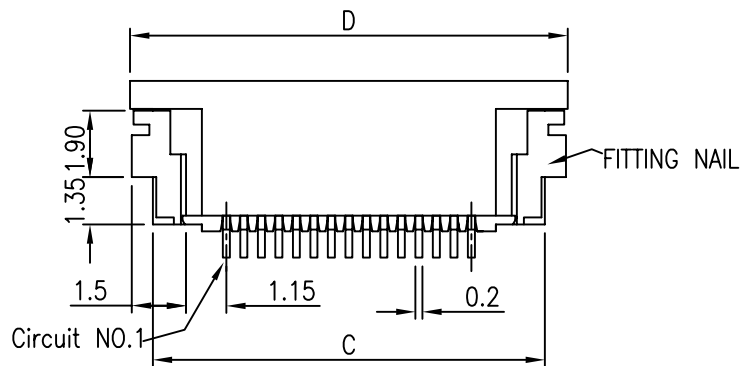
No Of Contact	XXX	Housing MAT	Housing Color	Halogen Free
	001	HF PLASTIC	BLACK	HF
Packing	0	Tape & Reel		
	1	Tube Package		
Plating	1:G/F	over all(lead free)		
	N:Matt Tin	(Lead Free)		



SEC. X-X  
TERMINAL A 單數 Pin



SEC. X-X  
TERMINAL B 偶數 Pin



C/KT	DIM A	DIM B	DIM C	DIM D	註德碼	C/KT	DIM A	DIM B	DIM C	DIM D	註德碼
5	2.0	3.0	6.2	7.5	-	36	17.5	18.5	21.7	23.0	-
6	2.5	3.5	6.7	8.0	-	37	18.0	19.0	22.2	23.5	-
7	3.0	4.0	7.2	8.5	-	38	18.5	19.5	22.7	24.0	-
8	3.5	4.5	7.7	9.0	-	39	19.0	20.0	23.2	24.5	-
9	4.0	5.0	8.2	9.5	v	40	19.5	20.5	23.7	25.0	v
10	4.5	5.5	8.7	10.0	-	41	20.0	21.0	24.2	25.5	-
11	5.0	6.0	9.2	10.5	-	42	20.5	21.5	24.7	26.0	-
12	5.5	6.5	9.7	11.0	-	43	21.0	22.0	25.2	26.5	-
13	6.0	7.0	10.2	11.5	-	44	21.5	22.5	25.7	27.0	-
14	6.5	7.5	10.7	12.0	-	45	22.0	23.0	26.2	27.5	v
15	7.0	8.0	11.2	12.5	-	46	22.5	23.5	26.7	28.0	-
16	7.5	8.5	11.7	13.0	-	47	23.0	24.0	27.2	28.5	-
17	8.0	9.0	12.2	13.5	-	48	23.5	24.5	27.7	29.0	-
18	8.5	9.5	12.7	14.0	-	49	24.0	25.0	28.2	29.5	-
19	9.0	10.0	13.2	14.5	-	50	24.5	25.5	28.7	30.0	v
20	9.5	10.5	13.7	15.0	-	51	25.0	26.0	29.2	30.5	-
21	10.0	11.0	14.2	15.5	-	52	25.5	26.5	29.7	31.0	-
22	10.5	11.5	14.7	16.0	-	53	26.0	27.0	30.2	31.5	-
23	11.0	12.0	15.2	16.5	-	54	26.5	27.5	30.7	32.0	-
24	11.5	12.5	15.7	17.0	-	55	27.0	28.0	31.2	32.5	-
25	12.0	13.0	16.2	17.5	v	56	27.5	28.5	31.7	33.0	-
26	12.5	13.5	16.7	18.0	-	57	28.0	29.0	32.2	33.5	-
27	13.0	14.0	17.2	18.5	v	58	28.5	29.5	32.7	34.0	-
28	13.5	14.5	17.7	19.0	-	59	29.0	30.0	33.2	34.5	-
29	14.0	15.0	18.2	19.5	-	60	29.5	30.5	33.7	35.0	-
30	14.5	15.5	18.7	20.0	-	61	30.0	31.0	34.2	35.5	-
31	15.0	16.0	19.2	20.5	v	62	30.5	31.5	34.7	36.0	-
32	15.5	16.5	19.7	21.0	-	63	31.0	32.0	35.2	36.5	-
33	16.0	17.0	20.2	21.5	v	64	31.5	32.5	35.7	37.0	-
34	16.5	17.5	20.7	22.0	-	65	32.0	33.0	36.2	37.5	-
35	17.0	18.0	21.2	22.5	-						

一般公差 <b>TOLERANCES</b> X ±0.5 XX ±0.15 X ±0.25 XXX ±0.1 ANGLES ±2°	<b>宏致電子股份有限公司</b> <b>Aces Electronic Co.,Ltd.</b>	
檢驗尺寸標示 <b>SYMBOLS</b> ⊕ ⊕ INDICATE CLASSIFICATION DIMENSION ⊕ MARK IS CRITICAL DIM. ⊕ MARK IS MAJOR DIM.	品名 (TITLE) <b>0.5mm NON ZIF FPC CONN. SMT R/A TYPE</b>	製圖 (DR) 08/10/06 審核 (CHKD) WGCH
圖號 (DWG.NO) <b>50623-XXXXX-XXX</b>	核准 (APPD) JASON	張數 (SHEET) 10F 1 比例 (SCALE) 4:1 單位 (UNITS) mm
表面處理 (FINISH)	張數 (SHEET) 10F 1 比例 (SCALE) 4:1 單位 (UNITS) mm	製圖 (DR) 08/10/06 審核 (CHKD) WGCH 核准 (APPD) JASON 張數 (SHEET) 10F 1 比例 (SCALE) 4:1 單位 (UNITS) mm

A	For APD980302 Add Natural Type(ECN-0908074)	09/08/13	DYF
O	NEW DRAWING	08/10/06	WEILIANG
REV	REVISION DESCRIPTION	DATE	SIGNATURE

A | B | C | D | E | F