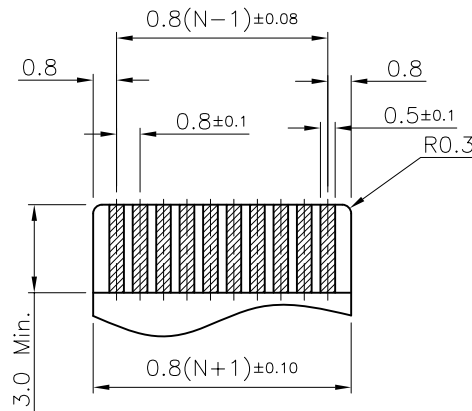
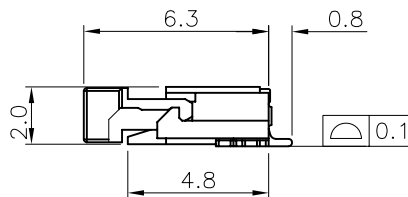
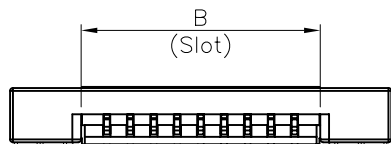
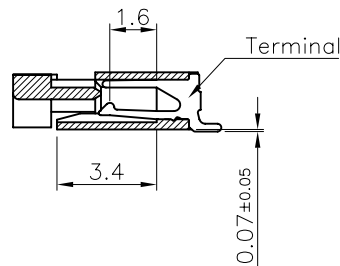
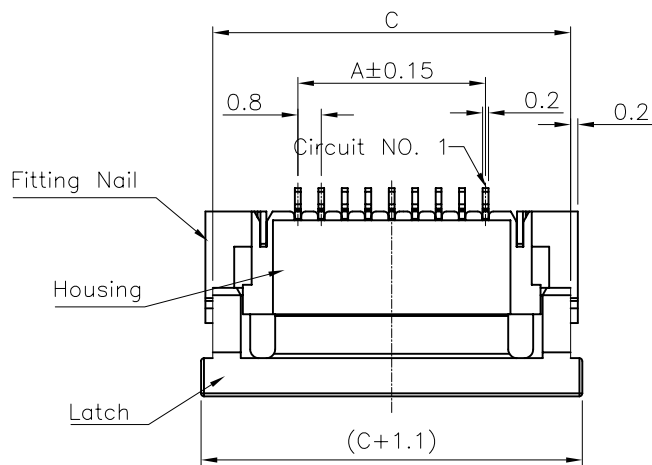


PCB PATTREN LAYOUT



RECOMMENDED APPLICABLE FPC LAYOUT
(THICKNESS:0.3±0.03)



NOTES:

1. MATERIAL:
 - 1.1 HOUSING: THERMOPLASTIC, HIGH TEMP, UL94V-0; COLOR: BLACK.
 - 1.2 CONTACT: COPPER ALLOY
 - 1.3 FITTING NAIL: COPPER ALLOY
 - 1.4 LATCH: THERMOPLASTIC, HIGH TEMP, UL94V-0; COLOR:WHITE.
2. FINISH:
 - 2.1 CONTACT:
 - 50u" MIN. NICKEL UNDERPLATING OVERALL.
 - 1:GOLD FLASH OVERALL.
 - N:100u" MIN. MATT TIN OVERALL.
 - 2.2 FITTING NAIL:
 - 50u" MIN. NICKEL UNDERPLATING OVERALL.
 - 1:GOLD FLASH OVERALL.
 - N:100u" MIN. MATT TIN OVERALL.
3. REFLOW SOLDER CAPABLE TO 260°C PER ACES SPEC.
4. SPEC. PLS. REFER TO PS-50563-XXXXX-XXX.
5. PACKAGE PLS. REFER TO 88170-xx0x-TRP.
6. PART NUMBER

50567-XXXXX-XXX

NO OF CKT	XXX	HOUSING MATERIAL & COLOR	ACTUATOR MATERIAL & COLOR	Halogen Free
	001	HF&Black	HF&White	HF

PACKING
0:TAPE & REEL
1:TUBE PACKAGE

PLATING
1:GOLD FLASH

CKT	Dim A	Dim B	Dim C
26	20.0	21.7	25.8

一般公差 TOLERANCES X ±0.5 XX ±0.15 X ±0.25 XXX ±0.1 ANGLES ±2°		宏致電子股份有限公司 Aces Electronics Co.,Ltd.	
檢驗尺寸標示 SYMBOLS INDICATE CLASSIFICATION DIMENSION ⊕ MARK IS CRITICAL DIM. ⊗ MARK IS MAJOR DIM.		品名 (TITLE) 0.8mm ZIF FPC CONN. SMT R/A B/C TYPE 圖號 (DWG NO.) 50567-XXXXX-XXX	
表面處理 (FINISH)		製圖 (DR) 13/12/11 CANDY 審核 (CHKD) DAVID 核准 (APPD) JERRY	
比例 (SCALE) 4:1		單位 (UNITS) mm	
		張數 (SHEET) 1 OF 1	
SIZE A4		REV B	