

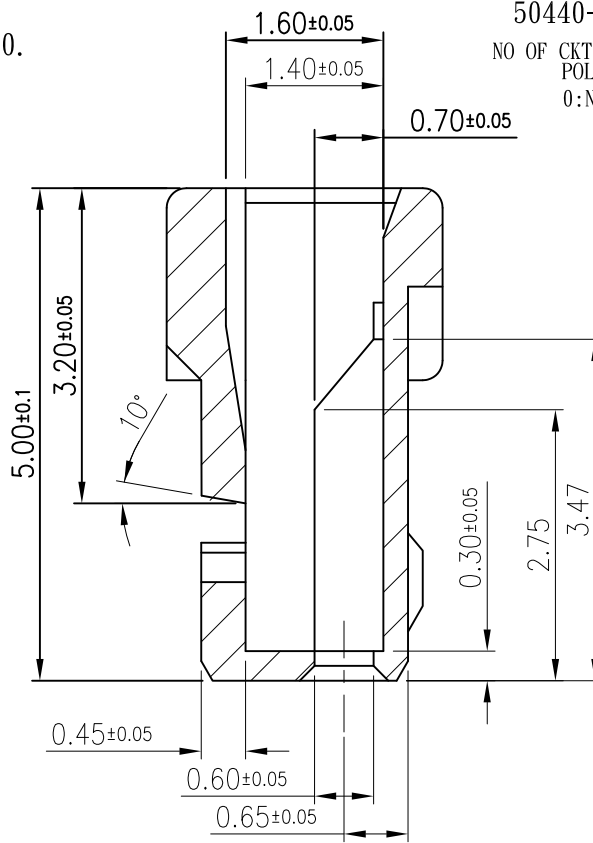
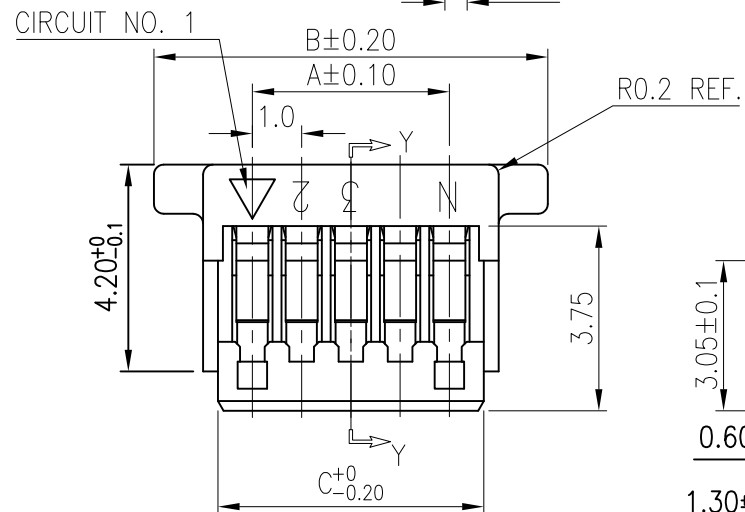
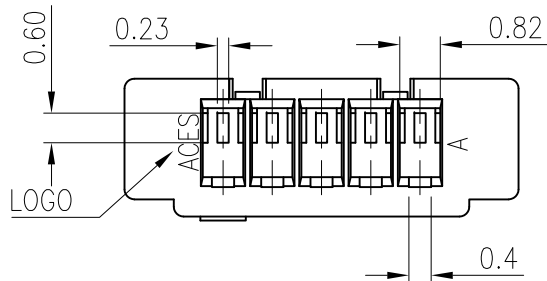
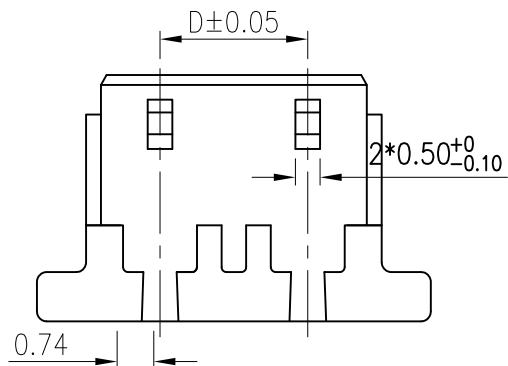
NOTES:

1. MATERIAL: HALOGEN FREE PLASTIC HIGH TEMP UL 94-0.
2. PRODUCT SPEC REFER TO PS-50228-XXXX
3. PACKAGE:1000 PCS/BAG

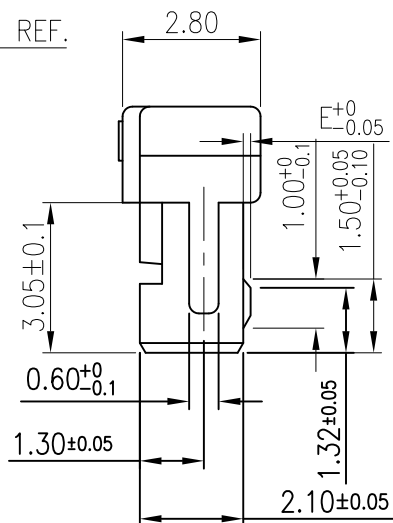
P/N LEGEND

50440-XXX H X X X - XXX
 NO OF CKT
 POLARIZATION
 0:NONE MATERIAL
 H:NYLON 66 COLOR
 0:WHITE
 1:BLACK

XXX	Halogen Free
001	HF



SECT. Y-Y 2X



CKT	Dim A	Dim B	DimC	DimD	Dim E
2	1.0	5.0	2.4	1.0	0.15
3	2.0	6.0	3.4	2.0	
4	3.0	7.0	4.4	3.0	
5	4.0	8.0	5.4	3.0	
6	5.0	9.0	6.4	3.0	
7	6.0	10.0	7.4	3.0	
8	7.0	11.0	8.4	3.0	
9	8.0	12.0	9.4	3.0	
10	9.0	13.0	10.4	3.0	
11	10.0	14.0	11.4	4.0	
12	11.0	15.0	12.4	5.0	0.18
13	12.0	16.0	13.4	6.0	
14	13.0	17.0	14.4	7.0	
15	14.0	18.0	15.4	8.0	
16	15.0	19.0	16.4	9.0	
17	16.0	20.0	17.4	10.0	
18	17.0	21.0	18.4	11.0	
19	18.0	22.0	19.4	12.0	
20	19.0	23.0	20.4	13.0	
22	21.0	25.0	22.4	15.0	
24	23.0	27.0	24.4	17.0	
26	25.0	29.0	26.4	19.0	
30	29.0	33.0	30.4	23.0	

一般公差 TOLERANCES X ±0.5 XX ±0.15 Y ±0.25 XXX ±0.1 ANGLES ±F°		宏致電子股份有限公司 Aces Electronic Co.,Ltd.	
檢驗尺寸標示 SYMBOLS (C) (M) INDICATE CLASSIFICATION DIMENSION (C) MARK IS CRITICAL DIM. (M) MARK IS MAJOR DIM.	品名 (TITLE) 1.0mm W-T-B HOUSING	製圖 (DR) 10/07/29 yangwu	審核 (CHKD) CARL
表面處理 (FINISH)	圖號 (DWG.NO) 50440-xxxHxxx-xxx	核准 (APPD) JASON	張數 (SHEET) 1 OF 1
比例 (SCALE) 5:1	單位 (UNITS) mm	張數 (SHEET) 1 OF 1	尺寸 (SIZE) A4