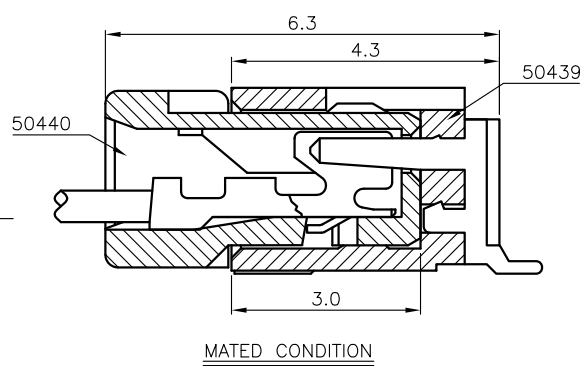
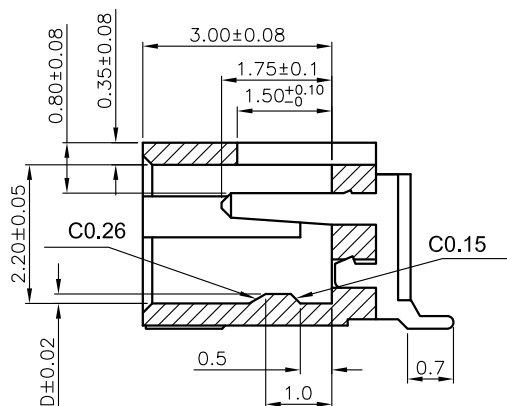
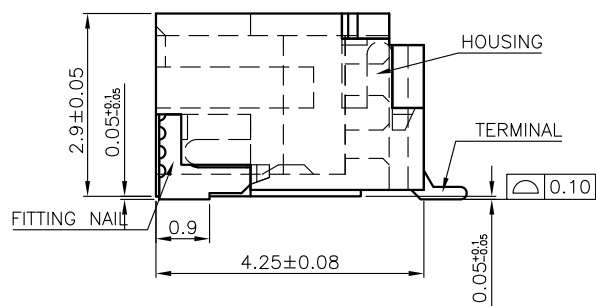
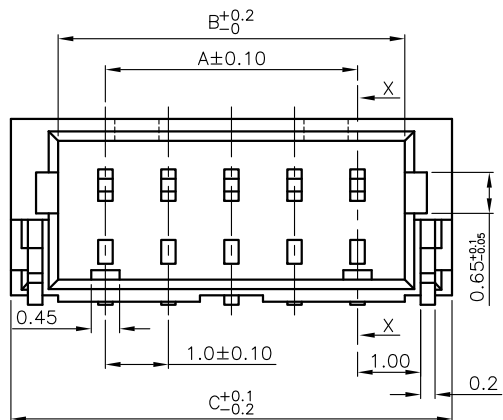


RECOMMENDED PCB LAYOUT  
GENERAL TOLERANCE ±0.05



NOTES:

- MATERIAL:
  - HOUSING: THERMOPLASTIC, HIGH TEMP., UL94V-0.
  - CONTACT: COPPER ALLOY
  - FITTING NAIL: COPPER ALLOY
- FINISH:
  - CONTACT: 50~100u" NICKEL UNDERPLATING OVERALL. N:MATTE TIN  
1:GOLD FLASH OVER ALL
  - FITTING NAIL: 50~100u" NICKEL UNDERPLATING OVERALL. N:MATTE TIN  
1:GOLD FLASH OVER ALL
- REFLOW SOLDER CAPABLE TO 260° C PER ACES SPEC.
- SPEC. PLS. REFER TO PS-50228-xxxx-xxx
- PACKAGE PLS. REFER TO 87213-XXXX-TRP
- PART NUMBER

P/N LEGEND

50439- XXX X X - XXX

NO OF CKT	XXX	HOUSING COLOR
	001	NATURAL
	002	BLACK

- PACKING
- 0:TAPE & REEL
  - 1:TUBE
  - 4:TAPE & REEL WITH MYLAR
  - 5:TUBE WITH MYLAR
  - 7:TAPE & REEL WITH COVER
  - 8:TUBE WITH COVER
- PLATING
- N:MATTE TIN
  - 1:GOLD FLASH OVERALL

CKT	Dim A	Dim B	Dim C	Dim D	Dim E
2	1.0	2.4	4.0	0.15	1.0
3	2.0	3.4	5.0		2.0
4	3.0	4.4	6.0		3.0
5	4.0	5.4	7.0		3.0
6	5.0	6.4	8.0		3.0
7	6.0	7.4	9.0		3.0
8	7.0	8.4	10.0		3.0
9	8.0	9.4	11.0		3.0
10	9.0	10.4	12.0		3.0
11	10.0	11.4	13.0		4.0
12	11.0	12.4	14.0	5.0	
13	12.0	13.4	15.0	0.08	6.0
14	13.0	14.4	16.0		7.0
15	14.0	15.4	17.0		8.0
16	15.0	16.4	18.0		9.0
17	16.0	17.4	19.0		10.0
18	17.0	18.4	20.0		11.0
19	18.0	19.4	21.0		12.0
20	19.0	20.4	22.0		13.0
22	21.0	22.4	24.0		15.0
24	23.0	24.4	26.0		17.0
26	25.0	26.4	28.0		19.0

一般公差 <b>TOLERANCES</b> X ±0.5 .XX ±0.15 X ±0.25 .XXX ±0.1 ANGLES ±2°		<b>宏致電子股份有限公司</b> Aces Electronic Co.,Ltd.	
檢驗尺寸標示 SYMBOLS Ⓢ INDICATE CLASSIFICATION DIMENSION Ⓢ MARK IS CRITICAL DIM. Ⓢ MARK IS MAJOR DIM.	品名 (TITLE) 1.0mm WTB CONN. SMT R/A S/R TYPE 圖號 (DWG.NO) <b>50439-XXXXX-XXX</b>	製圖 (DR) 11/01/19 yangwu 審核 (CHKD) <b>CARL</b> 核准 (APPD) <b>Jason</b>	張數 (SHEET) 1 OF 1 SIZE A4 REV B
表面處理 (FINISH)	比例 (SCALE) 8:1	單位 (UNITS) mm	