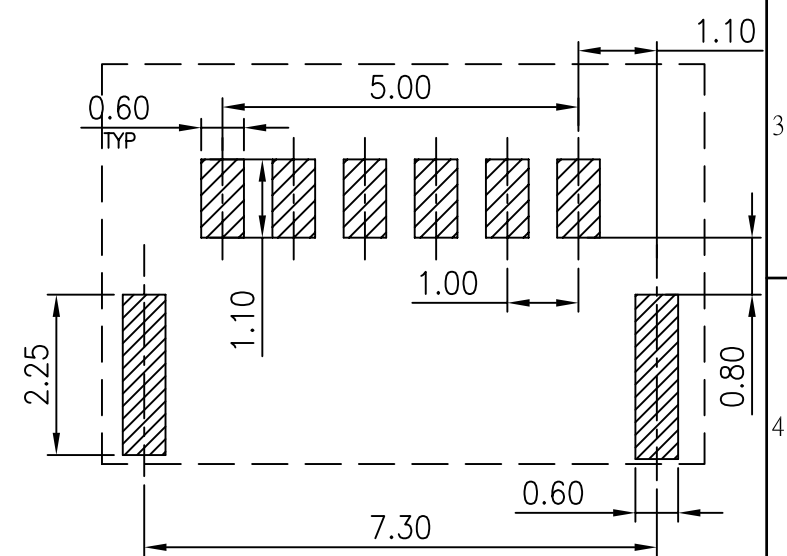
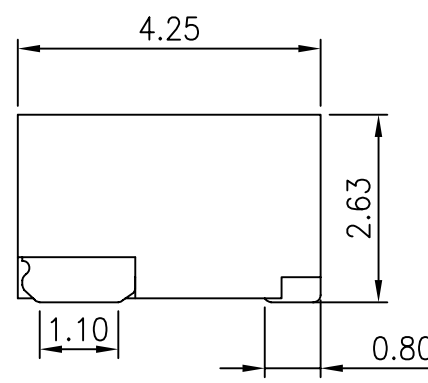
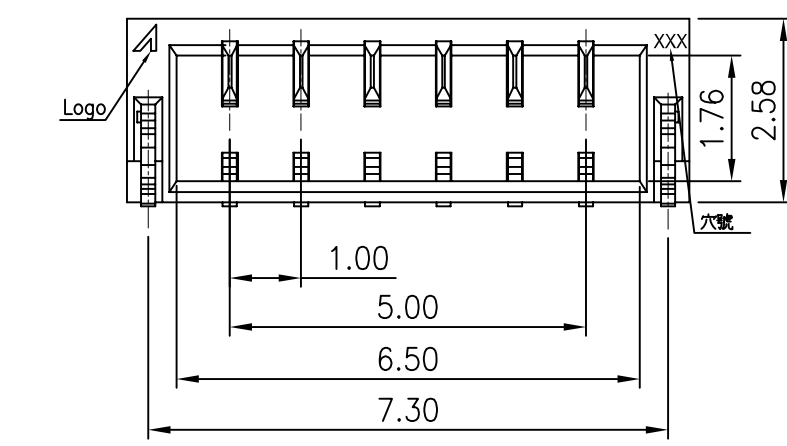


- NOTES:
- MATERIAL:
    - HOUSING: THERMOPLASTIC, HIGH TEMP., UL94V-0; COLOR:NATURAL.
    - CONTACT: COPPER ALLOY
    - FITTING NAIL: COPPER ALLOY
  - FINISH:
    - CONTACT: 50~100u" NICKEL UNDERPLATING OVERALL. N:50~100u" MATT TIN PLATING ON SOLDER TAILS,
  - REFLOW SOLDER CAPABLE TO 260°C PER ACES SPEC.
  - SPEC. PLS. REFER TO PS-50429-XXXX-XXX
  - PACKAGE PLS. REFER TO 50435-XXXX-TRP
  - PART NUMBER

P/N LEGEND  
 50435-XXX X X-001

NO OF CKT ——— X  
 PACKING 0:TAPE & REEL ——— X  
 PLATING N:MATT TIN(LEAD FREE) ——— X



一般公差 TOLERANCES X: ±0.5    .XX ±0.15 .X ±0.25    .XXX ±0.1 ANGLES ±2°	<b>宏致電子股份有限公司</b> <b>Aces Electronic Co.,Ltd.</b>	
檢驗尺寸標示 SYMBOLS   INDICATE CLASSIFICATION DIMENSION MARK IS CRITICAL DIM. MARK IS MAJOR DIM.	品名 (TITLE) 1.0mm WTB CONN. SMT R/A S/R TYPE 圖號 (DWG.NO) 50435-XXXXX-001	製圖 (DR) 2010/07/20 wan.bo 審核 (CHKD) Sam 核准 (APPD) Jason
表面處理 (FINISH)	比例 (SCALE) 1:1	單位 (UNITS) mm
		張數 (SHEET) 10F 2
	尺寸 (SIZE) A4	版數 (REV) 0