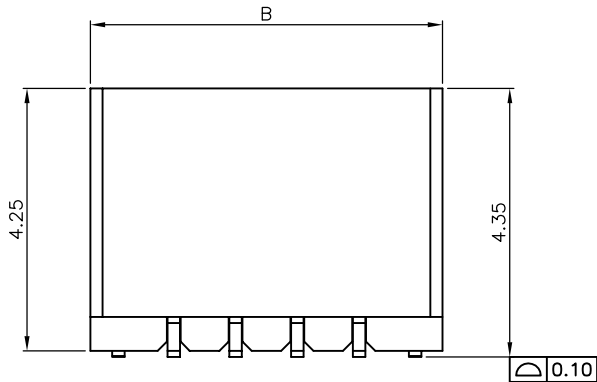
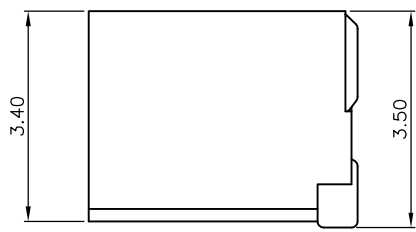
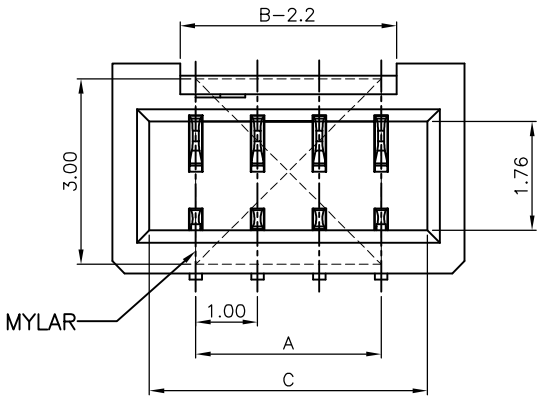


RECOMMENDED PCB LAYOUT
GENERAL TOLERANCE ± 0.05



NOTES:

1. MATERIAL:
 - 1.1 HOUSING: THERMOPLASTIC, HIGH TEMP., UL94V-0; COLOR:NATURAL.
 - 1.2 CONTACT: COPPER ALLOY
 - 1.3 FITTING NAIL: COPPER ALLOY
2. FINISH:
 - 2.1 CONTACT: 50~100u" NICKEL UNDERPLATING OVERALL.
N:90~120u" MATT TIN PLATING ON SOLDER TAILS,
C:15u" GOLD PLANTING ON CONTACT AREA,
GOLD FLASH ON SOLDER AREA
D:30u" GOLD PLANTING ON CONTACT AREA,
GOLD FLASH ON SOLDER AREA
 - 2.2 FITTING NAIL: 50~100u" NICKEL UNDERPLATING OVERALL.
N:90~120u" MATT TIN PLATING ON SOLDER TAILS,
3. REFLOW SOLDER CAPABLE TO 260°C PER ACES SPEC.
4. SPEC. PLS. REFER TO PS-50429-xxxx-xxx
5. PACKAGE PLS. REFER TO 50429-XXXX-TRP
6. PART NUMBER

P/N LEGEND

50429-XXX X X-XXX

NO OF CKT | COLOR OF HOUSING
001:NATURAL

PACKING | PLATING
N:MATT TIN(LEAD FREE)
C:15u"GOLD ON CONTACT AREA
D:30u" GOLD PLANTING ON CONTACT AREA,
GOLD FLASH ON SOLDER AREA

0:TAPE & REEL
4:TAPE & REEL WITH MYLAR

CKT	A	B	C	D
003	2.0	4.70	3.50	3.90
004	3.0	5.70	4.50	4.90
005	4.0	6.70	5.50	5.90
006	5.0	7.70	6.50	6.90
007	6.0	8.70	7.50	7.90
008	7.0	9.70	8.50	8.90
012	11.0	13.70	12.50	12.90
013	12.0	14.70	13.50	13.90
014	13.0	15.70	14.50	14.90
016	15.0	17.70	16.50	16.90

QUALITY SYMBOLS MAJOR Ⓢ CRITICAL Ⓢ GENERAL TOLERANCES (UNLESS SPECIFIED) X. ± 0.5 .X ± 0.25 .XX ± 0.15 .XXX ± 0.1 ANGLES $\pm 2^\circ$	DRAWN BY LuTaoTao DATE 21/02/26	
	CHECKED BY XuZhiYong DATE 21/02/26	
APPROVED BY XuZhiYong DATE 21/02/26	UNITS mm SCALE 1:1	SIZE A4 REV F
	SHEET NO. 1 OF 1	REF. NO. N/A DWG. NO. 50429-XXXX-XXX