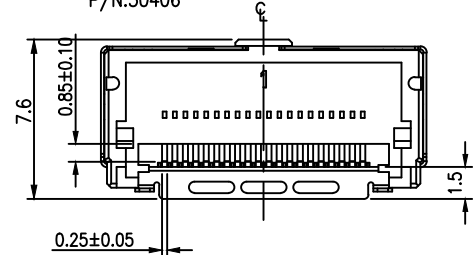


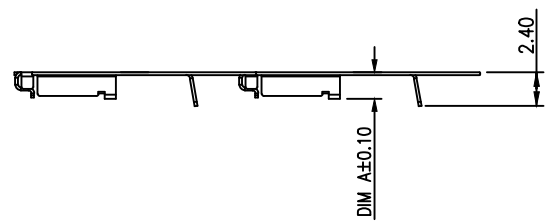
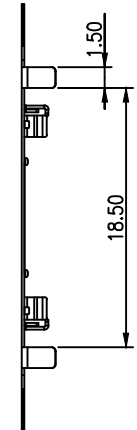
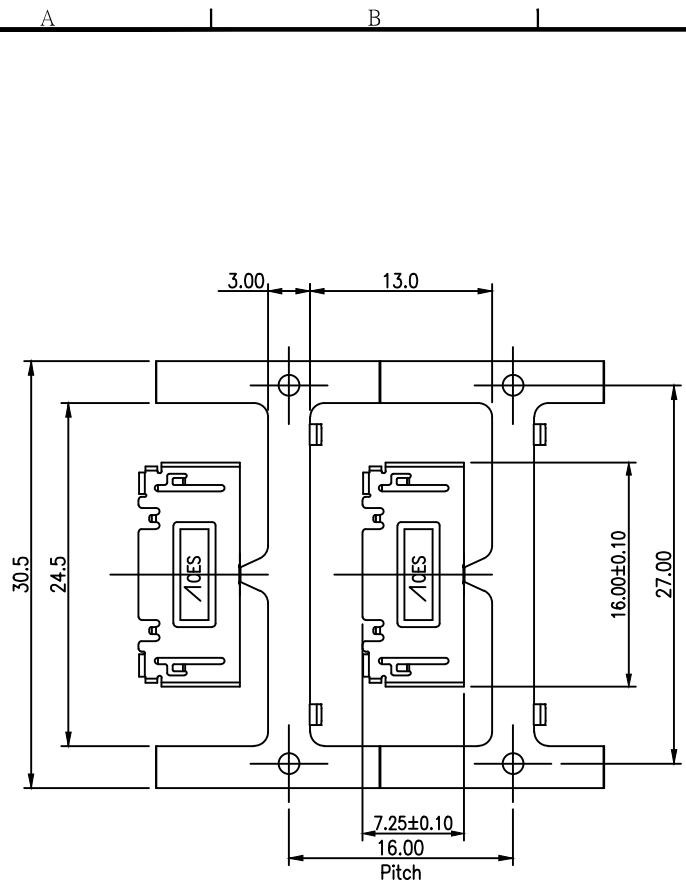
1. MATERIAL:
  - 1.1 HOUSING: LCP, UL94V-0; COLOR:BLACK.
  - 1.2 CONTACT: COPPER ALLOY
  - 1.3 UPPER SHELL:COPPER ALLOY
2. FINISH:
  - CONTACT:50~100u" NICKEL OVERALL.
  - 1:3u" GOLD ON CONTACT
  - T:10u" GOLD ON CONTACT
  - C:15u" GOLD ON CONTACT
  - B:5u" GOLD ON CONTACT
  - D:30u" GOLD ON CONTACT
3. REFLOW SOLDER CAPABLE TO 260°C PER ACES SPEC.
4. SPEC. PLS. REFER TO PS-50398-xxxx
5. PACKAGE PLS. REFER TO 50399-TB
6. PART NUMBER
  - 50407-XXX X X-XXX

- 020.20Pin
- PACKING 1.TURE
- METAL SHELL PLATING
  - 001:SOLDERABLE NICKEL OVER ALL.
  - 002:TIN PLATDE OVER ALL.
- CONTACT PLATING
  - 1:3u" GOLD ON CONTACT
  - T:10u" GOLD ON CONTACT
  - C:15u" GOLD ON CONTACT
  - B:5u" GOLD ON CONTACT
  - D:30u" GOLD ON CONTACT

- 7.APPLICABLE CABLE
  - AWG#36~42 COAXIAL CABLE
  - AWG#32 DISCRETE WIRE
  - AWG#34 Teflon Wire
  - Insulation O.D:0.4mm Max.
- 8.MATING CONNECTOR
  - P/N:50406

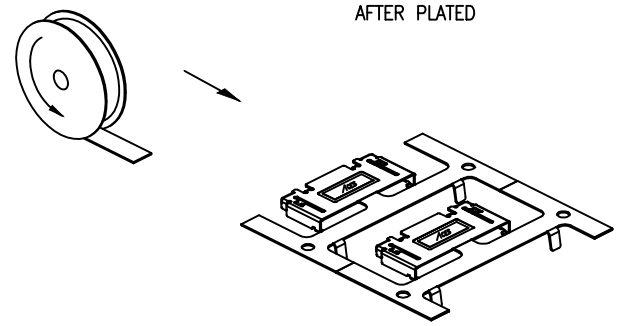


一般公差 <b>TOLERANCES</b> X ±0.5 XX ±0.15 X ±0.25 XXX ±0.1 ANGLES ±2°		<b>宏致電子股份有限公司</b> <b>Aces Electronics Co.,Ltd.</b>	
檢驗尺寸標示 SYMBOLS (M) (D) INDICATE CLASSIFICATION DIMENSION (M) MARK IS CRITICAL DIM. (D) MARK IS MAJOR DIM.		品名 (TITLE) 0.5 Pitch WTB LVDS CONN. Plug Type 製圖 (DR) HUYANG 19/12/05 審核 (CHKD) BRAVE 圖號 (DWG NO.) 50407-XXXXX-XXX 核准 (APPD) BRAVE	
表面處理 (FINISH)		比例 (SCALE) 3:1	單位 (UNITS) mm
			張數 (SHEET) 1 OF 6 尺寸 (SIZE) A4 版 (REV) H

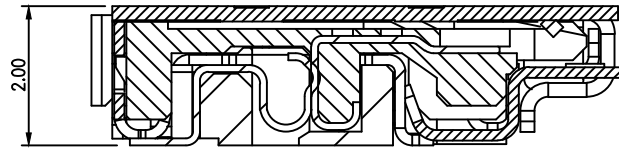


NOTES:  
 1. MATERIAL:SUS,THICKNESS 0.20±0.01mm  
 2. PLATING  
 ALL UNDERPLATED 50u"~100u" DUCTILE NICKEL  
 3. PART NUMBER

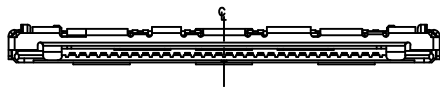
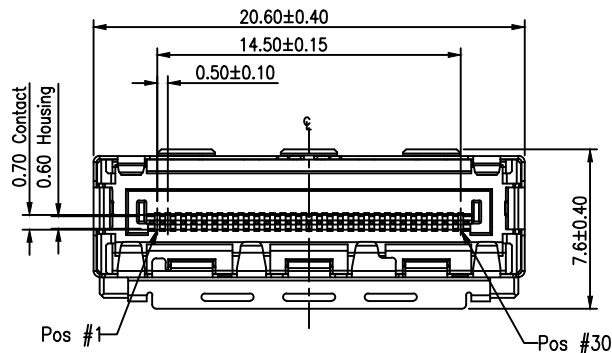
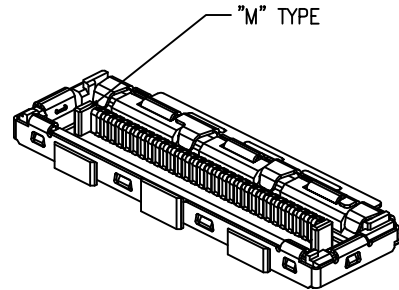
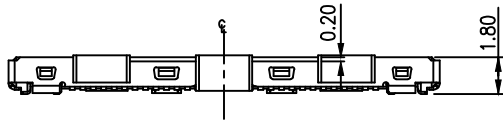
50412-M X X X-020  
 5:NONE DIM A:1.95  
 8:NONE DIM A:1.90  
 A:LOGO(ACES) DIM A:1.90  
 MATERIAL  
 5.SUS304  
 PLATED  
 V.SOLDERABLE NICKEL  
 L.PURE TIN 30~80u"



一般公差 <b>TOLERANCES</b> X ±0.5    XX ±0.15 X ±0.25    XXX ±0.1 ANGLES    ±2°		<b>宏致電子股份有限公司</b> <b>Aces Electronics Co.,Ltd.</b>	
檢驗尺寸標示 SYMBOLS (M) (L) INDICATE CLASSIFICATION DIMENSION (M) MARK IS CRITICAL DIM. (L) MARK IS MAJOR DIM.		品名 (TITLE) 0.5Pitch WTB LVDS CONN. LOWER SHELL	製圖 (DR) HUYANG 19/12/05 審核 (CHKD) BRAVE
		圖號 (DWG NO.) 50412-MXXX-XXX	核准 (APPD) BRAVE
表面處理 (FINISH)	比例 (SCALE) 2:1	單位 (UNITS) mm	張數 (SHEET) 2 OF 6 尺寸 (SIZE) A4 版次 (REV) H



Mating condition section (Scale 30:1)



NOTES:

- MATERIAL:
  - HOUSING: LCP, UL94V-0; COLOR:BLACK.
  - CONTACT: COPPER ALLOY
  - UPPER SHELL: COPPER ALLOY
- FINISH:
  - CONTACT: 50~100u" NICKEL OVERALL.
  - 1: 3u" GOLD ON CONTACT
  - T: 10u" GOLD ON CONTACT
  - C: 15u" GOLD ON CONTACT
  - B: 5u" GOLD ON CONTACT
- REFLOW SOLDER CAPABLE TO 260°C PER ACES SPEC.
- SPEC. PLS. REFER TO PS-50398-xxxx
- PACKAGE PLS. REFER TO 50399-TB
- PART NUMBER

50407-XXX X X-XXX

030.30Pin

PACKING

- TURE
- TRAY

METAL SHELL PLATING  
 001: SOLDERABLE NICKEL OVER ALL.  
 002: TIN PLATDE OVER ALL.

CONTACT PLATING

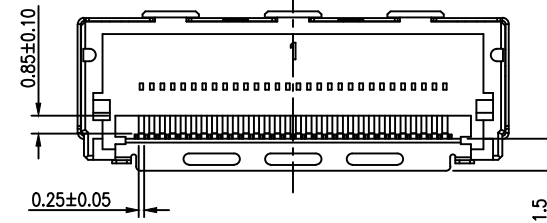
- 3u" GOLD ON CONTACT
- T: 10u" GOLD ON CONTACT
- C: 15u" GOLD ON CONTACT
- B: 5u" GOLD ON CONTACT

7. APPLICABLE CABLE

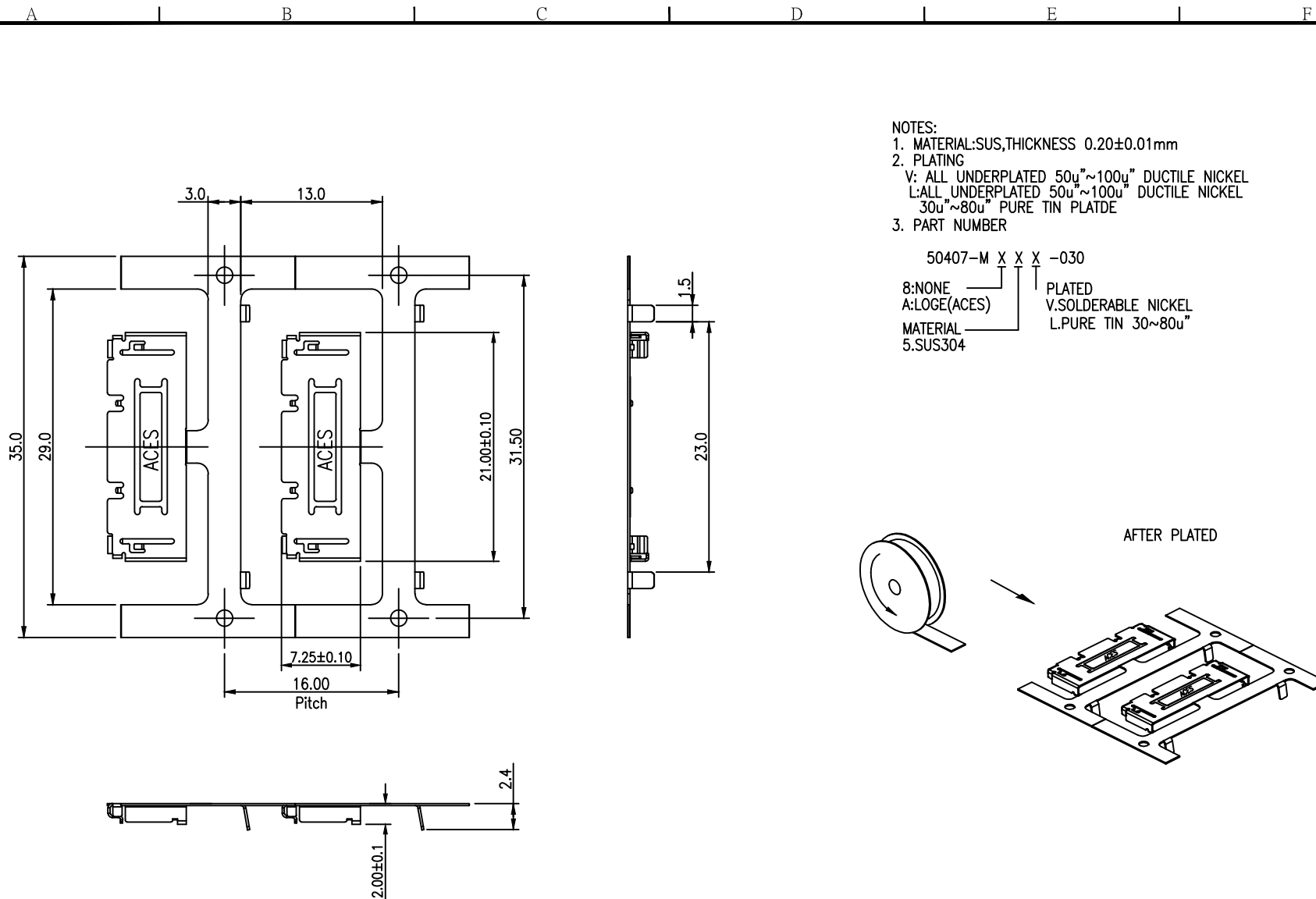
- AWG#36~42 COAXIAL CABLE
- AWG#32 DISCRETE WIRE
- AWG#34 Teflon Wire
- Insulation O.D: 0.4mm Max.

8. MATING CONNECTOR

P/N: 50406



一般公差 <b>TOLERANCES</b> X ±0.5    XX ±0.15 Y ±0.25    XXX ±0.1 ANGLES    ±2°		宏致電子股份有限公司 <b>Aces Electronics Co., Ltd.</b>	
檢驗尺寸標示 <b>SYMBOLS</b> INDICATE CLASSIFICATION DIMENSION <b>◎</b> MARK IS CRITICAL DIM. <b>⊙</b> MARK IS MAJOR DIM.		品名 (TITLE) 0.5 Pitch WTBLVDS CONN. Plug Type 製圖 (DR) 19/12/05 HUYANG 審核 (CHKD) BRAVE	
表面處理 (FINISH)		圖號 (DWG NO.) 50407-XXXXX-XXX 核准 (APPD) BRAVE	
比例 (SCALE) 3:1		單位 (UNITS) mm 張數 (SHEET) 3 OF 6 尺寸 (SIZE) A4 版次 (REV) H	

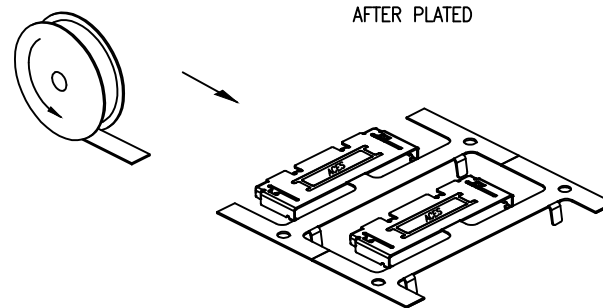


- NOTES:  
 1. MATERIAL:SUS,THICKNESS 0.20±0.01mm  
 2. PLATING  
 V: ALL UNDERPLATED 50u"~100u" DUCTILE NICKEL  
 L:ALL UNDERPLATED 50u"~100u" DUCTILE NICKEL  
 30u"~80u" PURE TIN PLATDE  
 3. PART NUMBER

50407-M X X X -030

8:NONE  
 A:LOGE(ACES)  
 MATERIAL  
 5.SUS304

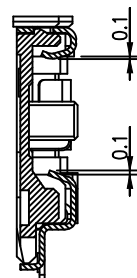
PLATED  
 V.SOLDERABLE NICKEL  
 L.PURE TIN 30~80u"



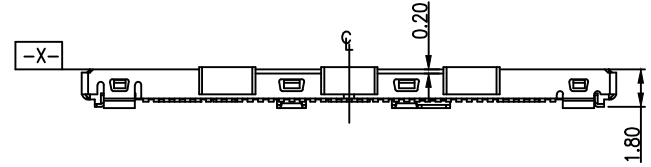
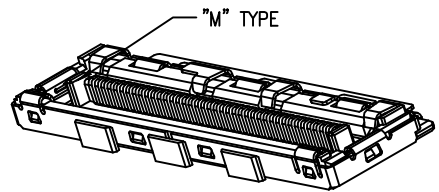
一般公差 <b>TOLERANCES</b> X ±0.5    XX ±0.15 Y ±0.25    XXX ±0.1 ANGLES    ±2°		<b>宏致電子股份有限公司</b> <b>Aces Electronics Co.,Ltd.</b>	
檢驗尺寸標示 SYMBOLS Ⓢ Ⓣ INDICATE CLASSIFICATION DIMENSION Ⓢ MARK IS CRITICAL DIM. Ⓣ MARK IS MAJOR DIM.		品名 (TITLE) 0.5Pitch WTB LVDS CONN. LOWER SHELL	製圖 (DR) 19/12/05 HUYANG 審核 (CHKD) BRAVE
		圖號 (DWG NO.) 50407-MXXX-XXX	核准 (APPD) BRAVE
表面處理 (FINISH)	比例 (SCALE) 2:1	單位 (UNITS) mm	張數 (SHEET) 4 OF 6 尺寸 (SIZE) A4 版次 (REV) H



A B C D E F



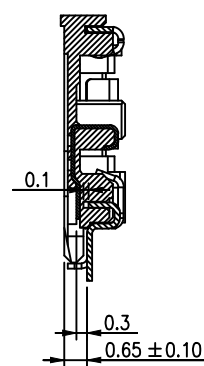
Section A-A  
Scale 5:1



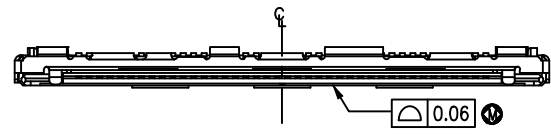
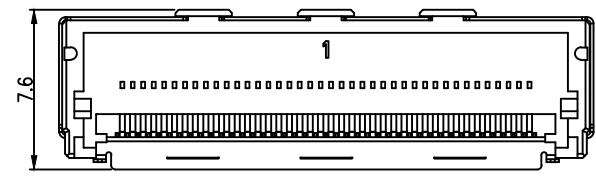
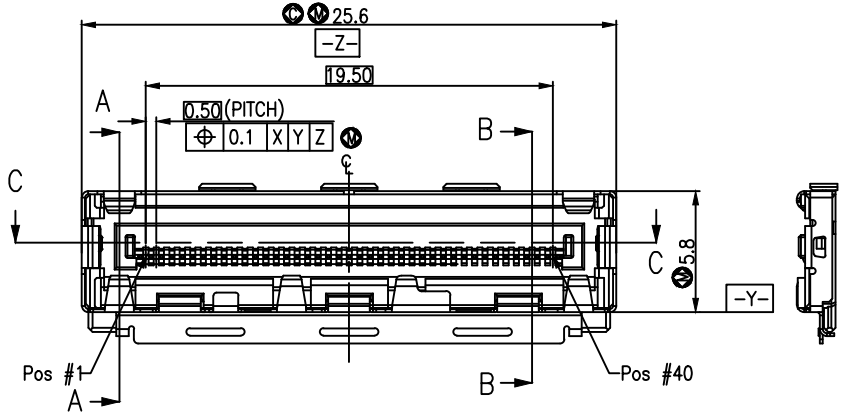
- NOTES:
- MATERIAL:
    - HOUSING: LCP, UL94V-0; COLOR:BLACK.
    - CONTACT: COPPER ALLOY
    - UPPER SHELL: COPPER ALLOY
  - FINISH:
    - CONTACT: 50~100u" NICKEL OVERALL.
    - 1:3u" GOLD ON CONTACT
    - T:10u" GOLD ON CONTACT
    - C:15u" GOLD ON CONTACT
    - B:5u" GOLD ON CONTACT
  - REFLOW SOLDER CAPABLE TO 260°C PER ACES SPEC.
  - SPEC. PLS. REFER TO PS-50398-xxxx
  - PACKAGE PLS. REFER TO 50399-TB
  - PART NUMBER
 

50407-XXX	X	X-XXX	METAL SHELL PLATING
040.40Pin			001:SOLDERABLE NICKEL OVER ALL.
			002:TIN PLATDE OVER ALL.
  - PACKING
 

1.TURE	CONTACT PLATING
	1:3u" GOLD ON CONTACT
	T:10u" GOLD ON CONTACT
	C:15u" GOLD ON CONTACT
	B:5u" GOLD ON CONTACT
  - APPLICABLE CABLE
    - AWG#36~42 COAXIAL CABLE
    - AWG#32 DISCRETE WIRE
    - AWG#34 Teflon Wire
    - Insulation O.D:0.4mm Max.
  - MATING CONNECTOR P/N:50406



Section B-B  
Scale 5:1



Section C-C  
Scale 5:1

4	50399-TB	Tube	xx
3	50399-M7xx	Upper Shell	1
2	50399-Txxx-xxx	Terminal	1 set
1	50407-040Pxxx-x	Housing	1
No.	Part No.	Part Name	Quantity

一般公差  
TOLERANCES  
X ±0.5 XX ±0.15  
X ±0.25 XXX ±0.1  
ANGLES ±2°

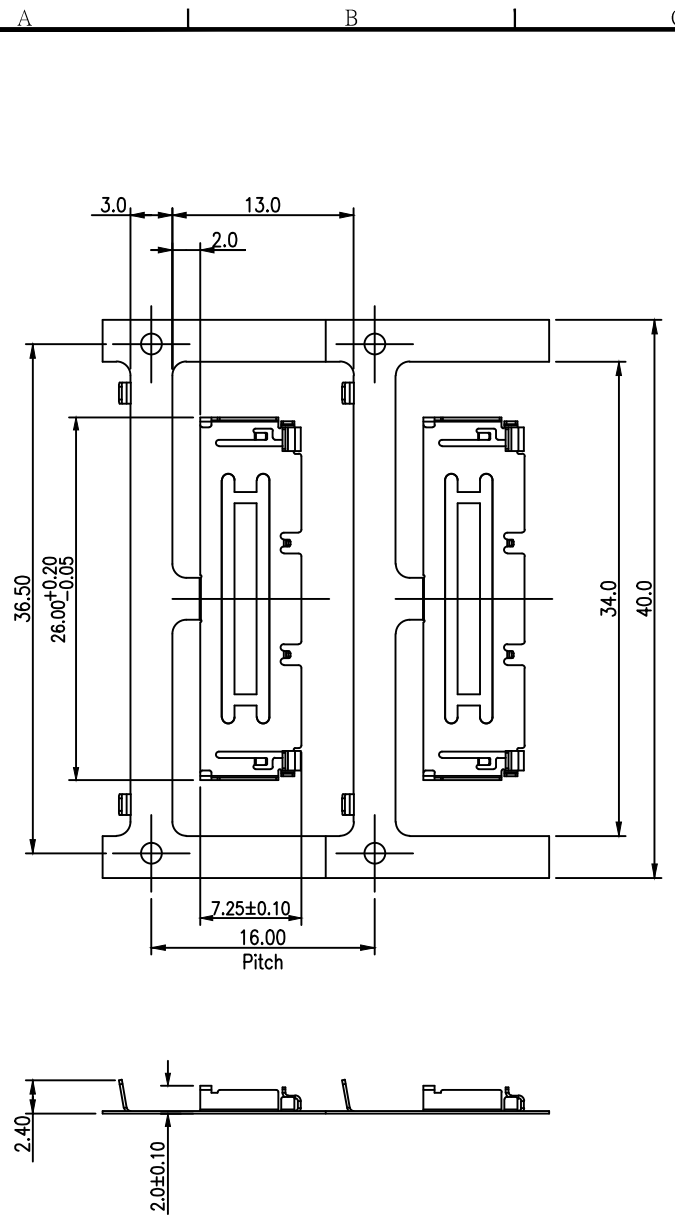
宏致電子股份有限公司  
Aces Electronics Co.,Ltd.

檢驗尺寸標示  
SYMBOLS Ⓢ Ⓣ INDICATE CLASSIFICATION DIMENSION  
Ⓢ MARK IS CRITICAL DIM.  
Ⓣ MARK IS MAJOR DIM.

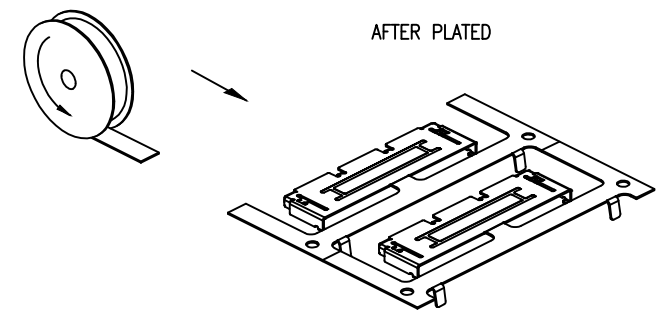
品名 (TITLE)  
0.5 Pitch WTB  
LVDS CONN. Plug Type  
圖號 (DWG NO.)  
50407-XXXXX-XXX

製圖 (DR)  
19/12/05 HUYANG  
審核 (CHKD)  
BRAVE  
核准 (APFD)  
BRAVE

表面處理 (FINISH) 比例 (SCALE) 3:1 單位 (UNITS) mm 張數 (SHEET) 5 OF 6 尺寸 (SIZE) A4 頁次 (REV) H



NOTES:  
 1. MATERIAL:SUS,THICKNESS 0.20±0.01mm  
 2. PLATING  
 V:ALL UNDERPLATED 50u"~100u" DUCTILE NICKEL  
 L:ALL UNDERPLATED 50u"~100u" DUCTILE NICKEL  
 30u"~80u" PURE TIN PLATDE  
 3. PART NUMBER  
 50399-M 8 X X -040  
 MATERIAL 5.SUS304 PLATED  
 V.SOLDERABLE NICKEL.  
 L:30~80u" PURE TIN PLATDE .



一般公差 <b>TOLERANCES</b> X ±0.5    XX ±0.15 Y ±0.25    XXX ±0.1 ANGLES    ±2°		宏致電子股份有限公司 Aces Electronics Co.,Ltd.	
檢驗尺寸標示 SYMBOLS Ⓢ Ⓣ INDICATE CLASSIFICATION DIMENSION Ⓢ MARK IS CRITICAL DIM. Ⓣ MARK IS MAJOR DIM.		品名 (TITLE) 0.5Pitch WTB LVDS CONN. LOWER SHELL	製圖 (DR) 19/12/05 HUYANG 審核 (CHKD) BRAVE
		圖號 (DWG NO.) 50399-MXXX-XXX	核准 (APFD) BRAVE
表面處理 (FINISH)	比例 (SCALE) 2:1	單位 (UNITS) mm	張數 (SHEET) 6 OF 6 尺寸 (SIZE) A4 版次 (REV) H