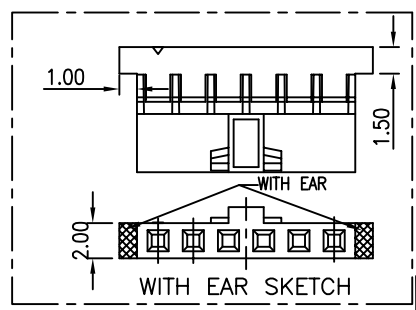
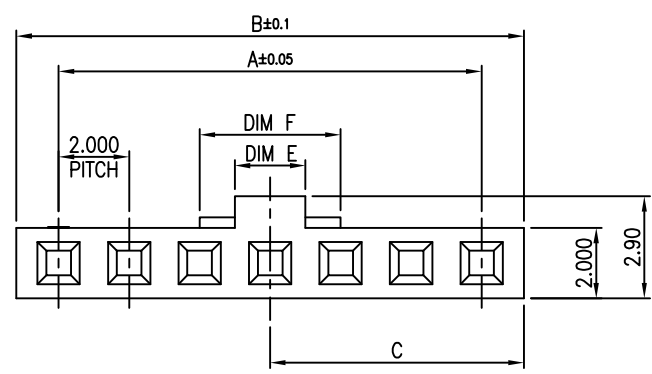
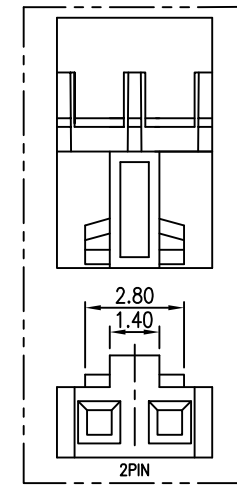
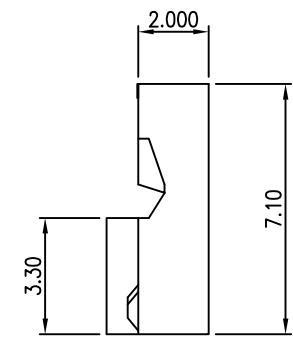
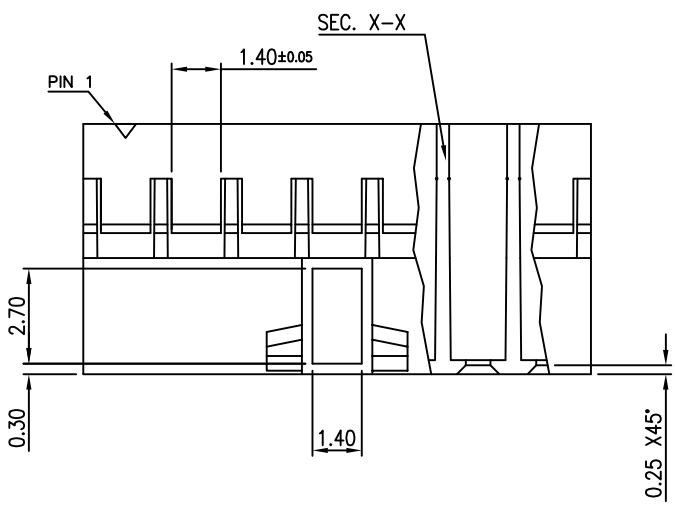
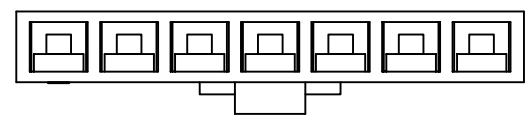




- NOTES:  
 1. MATERIAL: Halogen Free PLASTIC, HIGH TEMP  
 UL94V-0;  
 2. SPEC. PLS. REFER TO PS-50300

P/N LEGEND  
 50303-XXX H X X X-XXX

NO OF CKT	XXX	NOTE
	001	HF
	003	WITH EAR
Polarization 0:NONE		COLOR 0:WHITE 1:BLACK
MATERIAL H: NYLON 66		



CKT	DIM A	DIM B	DIM C
2	2.0	4.4	2.2
3	4.0	6.4	3.2
4	6.0	8.4	4.2
5	8.0	10.4	5.2
6	10.0	12.4	6.2
7	12.0	14.4	7.2
8	14.0	16.4	8.2
9	16.0	18.4	9.2
10	18.0	20.4	10.2
11	20.0	22.4	11.2
12	22.0	24.4	12.2
13	24.0	26.4	13.2
14	26.0	28.4	14.2
15	28.0	30.4	15.2
16	30.0	32.4	16.2
17	32.0	34.4	17.2

CKT	DIM E	DIM F
2	1.40	2.80
OTHER	2.00	4.00

QUALITY SYMBOLS  
 MAJOR Ⓢ  
 CRITICAL Ⓢ  
 GENERAL TOLERANCES  
 (UNLESS SPECIFIED)  
 X. ±0.5  
 .X ±0.25  
 .XX ±0.15  
 .XXX ±0.1  
 ANGLES ±2°

DRAWN BY  
 GUOFEI  
 CHECKED BY  
 BRAVE  
 APPROVED BY  
 BRAVE  
 UNITS  
 mm  
 SCALE  
 4:1

DATE  
 '21/06/09  
 DATE  
 '21/06/09  
 DATE  
 '21/06/09  
 SHEET NO.  
 1 OF 1

**ACES ELECTRONICS**  
 HOUSING (2.0mm POWER)  
 DWG NO.  
 50303-XXXHXXX-XXX  
 REV  
 SEE NOTES