



NOTES:

1. MATERIAL:

1.1 HOUSING: HALOGEN FREE PLASTIC, HIGH TEMP., UL94V-0; COLOR:BLACK.

1.2 CONTACT: COPPER ALLOY

2. FINISH:

1. GOLD FLASH PLATING(1~3u"), UNDER NICKEL PLATED.

N: 100~200u" Matt Tin PLATING, UNDER NICKEL PLATED.(Lead Free)

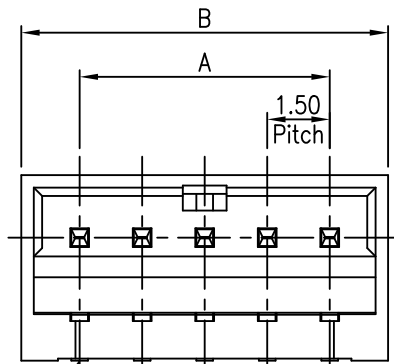
L: 100~200u" Tin PLATING, UNDER NICKEL PLATED.

3. REFLOW SOLDER CAPABLE TO 260°C PER ACES SPEC.

4. SPEC. PLS. REFER TO PS-50289-XXXX-XXX

5. PACKAGE PLS. REFER TO PART NUMBER

6. PART NUMBER



Circuit No.1

50291-XXX X X-XXX

No Of Contact

Packing
0:Tape & Reel
1:Tube

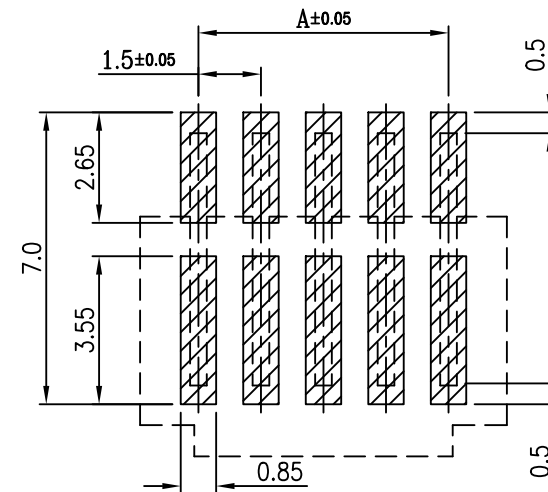
XXX	HOUSING MATERIAL&COLO	REEL NUMBER
001	HF Plastic&Black	88315-XXXX-TRP
002	HF Plastic&Black	88615-XXXX-TRP

Plating

L:Lead Free (Pure Tin)

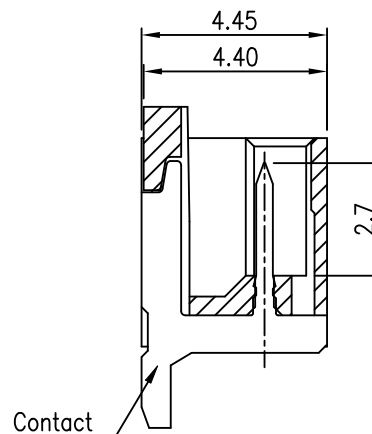
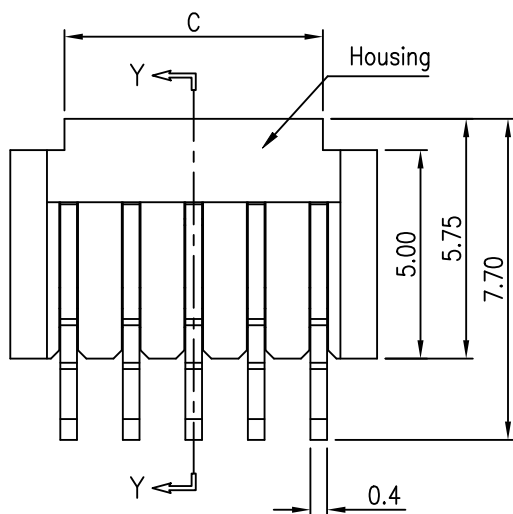
N:Matt Tin

1:Gold Flash over all



RECOMMEND PCB LAYOUT

CKT	Dim A	Dim B	Dim C
2	1.5	4.3	1.7
3	3.0	5.8	3.2
4	4.5	7.3	4.7
5	6.0	8.8	6.2
6	7.5	10.3	7.7
7	9.0	11.8	9.2
8	10.5	13.3	10.7
9	12.0	14.8	12.2
10	13.5	16.3	13.7
11	15.0	17.8	15.2
12	16.5	19.3	16.7
13	18.0	20.8	18.2
14	19.5	22.3	19.7
15	21.0	23.8	21.2
16	22.5	25.3	22.7
17	24.0	26.8	24.2
18	25.5	28.3	25.7
19	27.0	29.8	27.2
20	28.5	31.3	28.7



SEC. Y-Y

QUALITY SYMBOLS MAJOR Ⓢ CRITICAL Ⓢ	DRAWN BY Xu,zhonglin	DATE 19/10/23	
	CHECKED BY Lu, jing quan	DATE 19/10/23	
GENERAL TOLERANCES (UNLESS SPECIFIED) X. ±0.5 .X ±0.25 .XX ±0.15 .XXX ±0.1 ANGLES ±2°	APPROVED BY hsieh,fu yu	DATE 19/10/23	TITLE 1.5mm W-T-B Header SMT R/A Type
	UNITS mm		SIZE A4
SCALE 5 : 1	SHEET NO. 1 OF 2	REV D	DWG NO. 50291-XXXXX-XXX



NOTES:

1. MATERIAL:

1.1 HOUSING: HALOGEN FREE PLASTIC, HIGH TEMP.,
UL94V-0; COLOR:BLACK.

1.2 CONTACT: COPPER ALLOY

2. FINISH:

1. GOLD FLASH PLATING(1~3u"), UNDER NICKEL PLATED.

N: 100~200u" Matt Tin PLATING, UNDER NICKEL PLATED.(Lead Free)

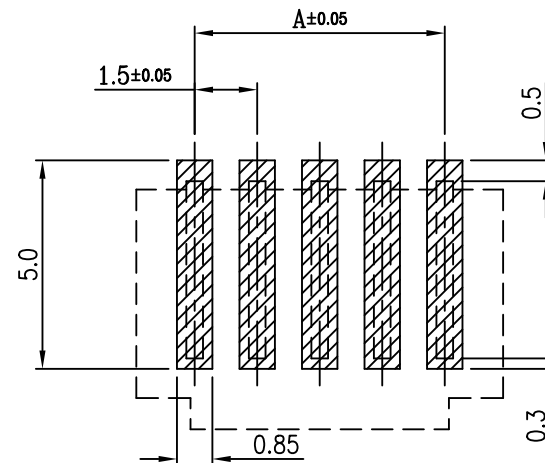
L: 100~200u" Tin PLATING, UNDER NICKEL PLATED.

3. REFLOW SOLDER CAPABLE TO 260°C PER ACES SPEC.

4. SPEC. PLS. REFER TO PS-50289-xxxxx-xxx

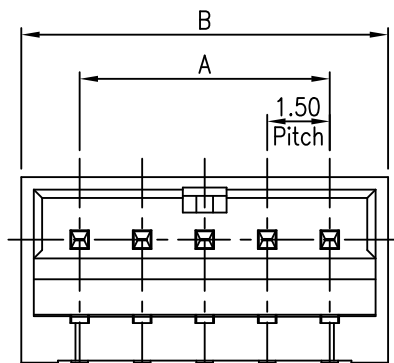
5. PACKAGE PLS. REFER TO PART NUMBER

6. PART NUMBER



RECOMMEND PCB LAYOUT

CKT	Dim A	Dim B	Dim C
2	1.5	4.3	1.7
3	3.0	5.8	3.2
4	4.5	7.3	4.7
5	6.0	8.8	6.2
6	7.5	10.3	7.7
7	9.0	11.8	9.2
8	10.5	13.3	10.7
9	12.0	14.8	12.2
10	13.5	16.3	13.7
11	15.0	17.8	15.2
12	16.5	19.3	16.7
13	18.0	20.8	18.2
14	19.5	22.3	19.7
15	21.0	23.8	21.2
16	22.5	25.3	22.7
17	24.0	26.8	24.2
18	25.5	28.3	25.7
19	27.0	29.8	27.2
20	28.5	31.3	28.7



Circuit No.1

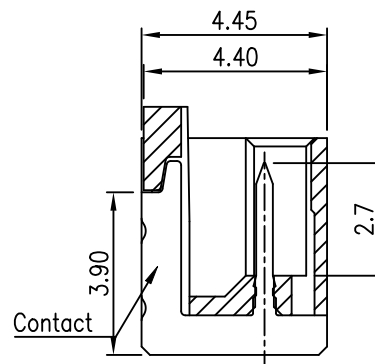
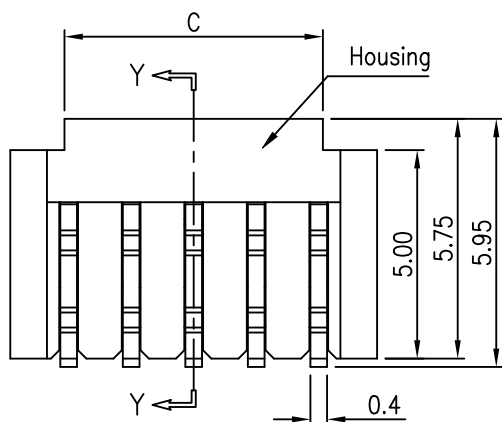
50291-XXX X X-XXX

No Of Contact

Packing
0:Tape & Reel
1:Tube

XXX	HOUSING MATERIAL&COLO	REEL NUMBER
003	HF Plastic&Black	88615-XXXXX-XX-TRP

Plating
L:Lead Free (Pure Tin)
N:Matt Tin
1:Gold Flash over all



SEC. Y-Y

QUALITY SYMBOLS MAJOR Ⓢ CRITICAL Ⓢ	DRAWN BY Xu.zhonglin DATE 19/10/23	
	CHECKED BY Lu, jing quan DATE 19/10/23	
GENERAL TOLERANCES (UNLESS SPECIFIED) X. ±0.5 .X ±0.25 .XX ±0.15 .XXX ±0.1 ANGLES ±2°	APPROVED BY hsieh,fu yu DATE 19/10/23	TITLE 1.5mm W-T-B Header SMT R/A Type
	UNITS mm	
SCALE 5 : 1	SHEET NO. 2 OF 2	REV D
		RFRQ NO. N/A
		DWG NO. 50291-XXXXX-XXX