



NOTES:

1.材質: Halogen Free PLASTIC, HIGH TEMP,
UL 94V-0,

P/N LEGEND

50280-XXX H X X X-XXX

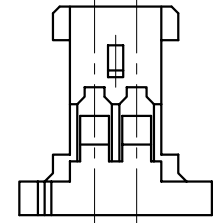
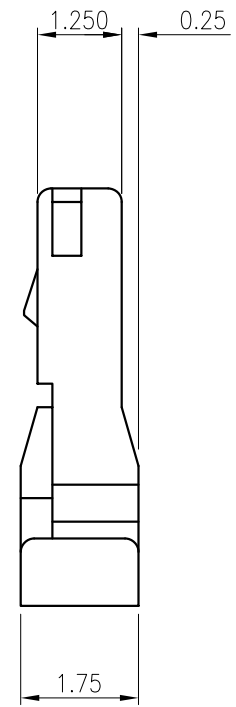
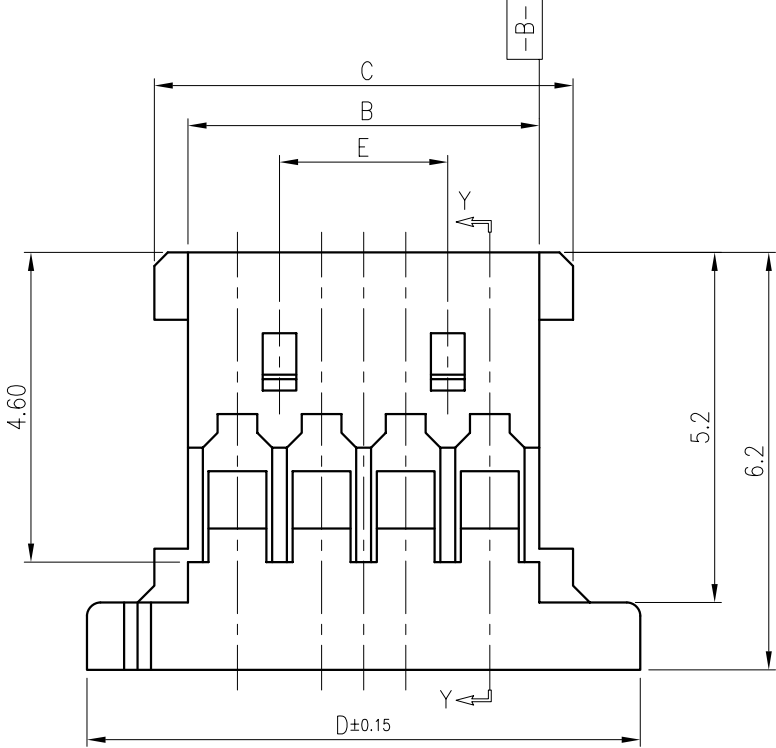
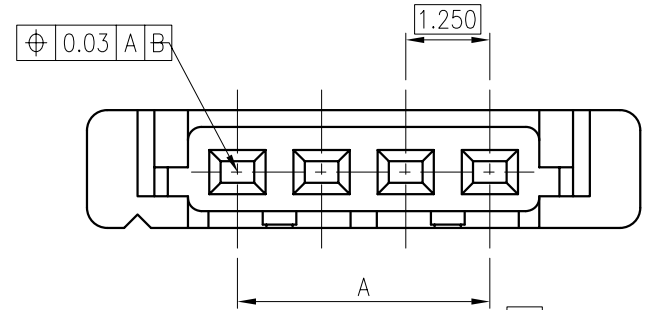
NO OF CKT

Polarization
0: None

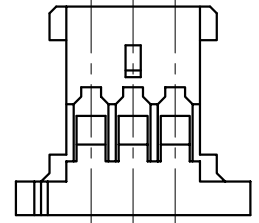
MATERIAL
H: PA66

XXX	Halogen Free
001	HF

COLOR
0:WHITE
1:BLACK



2 CKT.



3 CKT.

CKT.	DIM A	DIM B	DIM C	DIM D	DIM E
2	1.25	2.72	3.72	5.72	-
3	2.50	3.97	4.97	6.97	-
4	3.75	5.22	6.22	8.22	2.50
5	5.00	6.47	7.47	9.47	3.75
6	6.25	7.72	8.72	10.72	5.00
7	7.50	8.97	9.97	11.97	6.25
8	8.75	10.22	11.22	13.22	7.50
9	10.00	11.47	12.47	14.47	8.75
10	11.25	12.72	13.72	15.72	10.00
11	12.50	13.97	14.97	16.97	11.25
12	13.75	15.22	16.22	18.22	12.50
13	15.00	16.47	17.47	19.47	13.75
14	16.25	17.72	18.72	20.72	15.00
15	17.50	18.97	19.97	21.97	16.25
16	18.75	20.22	21.22	23.22	17.50
18	21.25	22.72	23.72	25.72	20.00
20	23.75	25.22	26.22	28.22	22.50
22	26.25	27.72	28.72	30.72	22.50
24	28.75	30.22	31.22	33.22	22.50
26	31.25	32.72	33.72	35.72	22.50
28	33.75	35.22	36.22	38.22	22.50
30	36.25	37.72	38.72	40.72	22.50

一般公差 TOLERANCES X ±0.5 XX ±0.15 X ±0.25 XXX ±0.1 ANGLES ±2°		宏致電子股份有限公司 Aces Electronics Co.,Ltd.	
檢驗尺寸標示 SYMBOLS INDICATE CLASSIFICATION DIMENSION	品名 (TITLE) 1.25 WIRE TO BOARD HOUSING	製圖 (DR) '14/11/20 JUGG 審核 (CHKD) DAVID	
MARK IS CRITICAL DIM. MARK IS MAJOR DIM.	圖號 (DWG.NO) 50280-XXXHXXX-XXX	核准 (APPD) FRANK	
表面處理 (FINISH)	比例 (SCALE) 單位 (UNITS) -- mm		張數 (SHEET) SIZE REV 1 OF 1 A4 B