



NOTES:

1. MATERIAL:

- 1.1 HOUSING: HALEGEN FREE PLASTIC, HIGH TEMP., UL94V-0.
- 1.2 CONTACT: COPPER ALLOY
- 1.3 FITTING NAIL: COPPER ALLOY

2. FINISH:

- 2.1 CONTACT:50~100u" NICKEL UNDERPLATING OVERALL.
1:GOLD FLASH(1~3u").
N:100~200u" MATT TIN,
L:100~200u" TIN.
D:30u" GOLD ON CONTACT AREA
T:10u" GOLD ON CONTACT AREA
- 2.2 FITTING NAIL:50~100u" NICKEL UNDERPLATING OVERALL.
1:GOLD FLASH(1~3u").
N:100~200u" MATT TIN PLATING,
L:100~200u" TIN PLATING.
D:GOLD FLASH ON SOLDER AREA
T:GOLD FLASH ON SOLDER AREA

- 3. REFLOW SOLDER CAPABLE TO 260°C PER ACES SPEC.
- 4. SPEC. PLS. REFER TO PS-50278-xxxx-xxx
- 5. PACKAGE PLS. REFER TO 88230-XX0X-XX-TRP
- 6. PART NUMBER
- 7. THE NUMBER OF WINDOWS:2,3PIN IS ONE, 4PIN AND OTHER IS TWO.

P/N LEGEND

50277-XXX X X-XXX

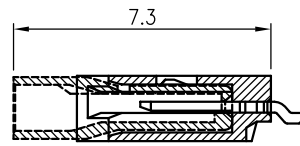
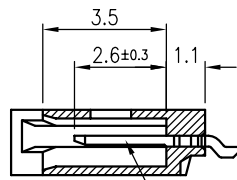
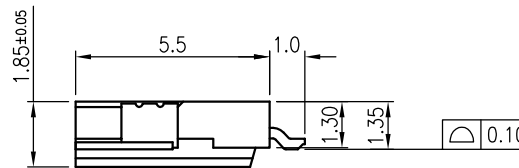
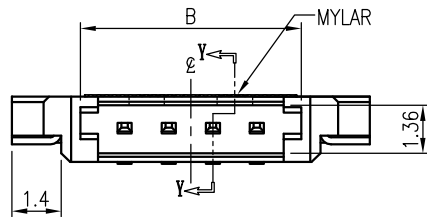
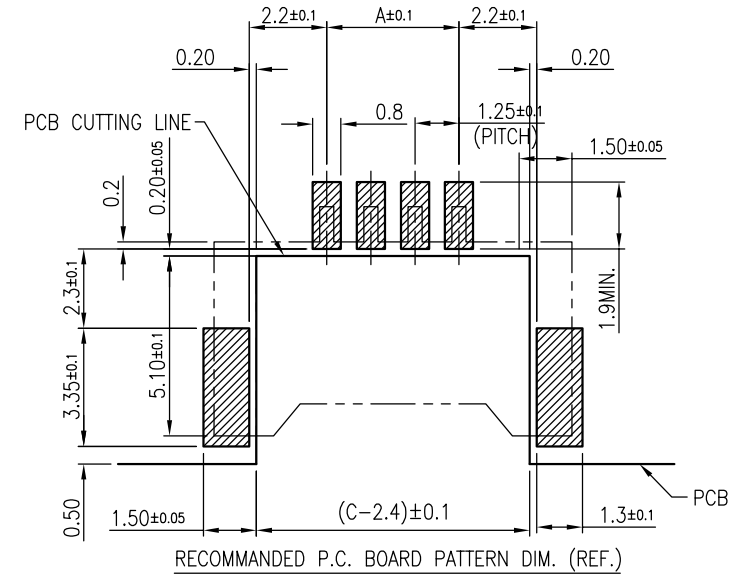
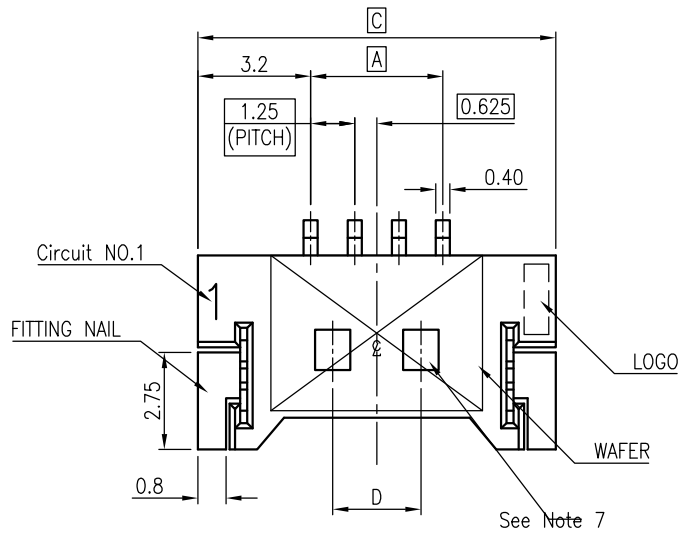
No Of CKT

- 0:Tape & Reel
- 1:Tube
- 4:Tape & Reel with Mylar

PLATING

- L: Lead Free (Pure Tin)
- N: Matt Tin(lead free)
- 1: Gold Flash(lead free)
- D: 30u" Gold on contact area and gold flash on solder area
- T: 10u" Gold on contact area and gold flash on solder area

XXX	Material&Color
001	HF Plastic&Black
002	HF Plastic&White

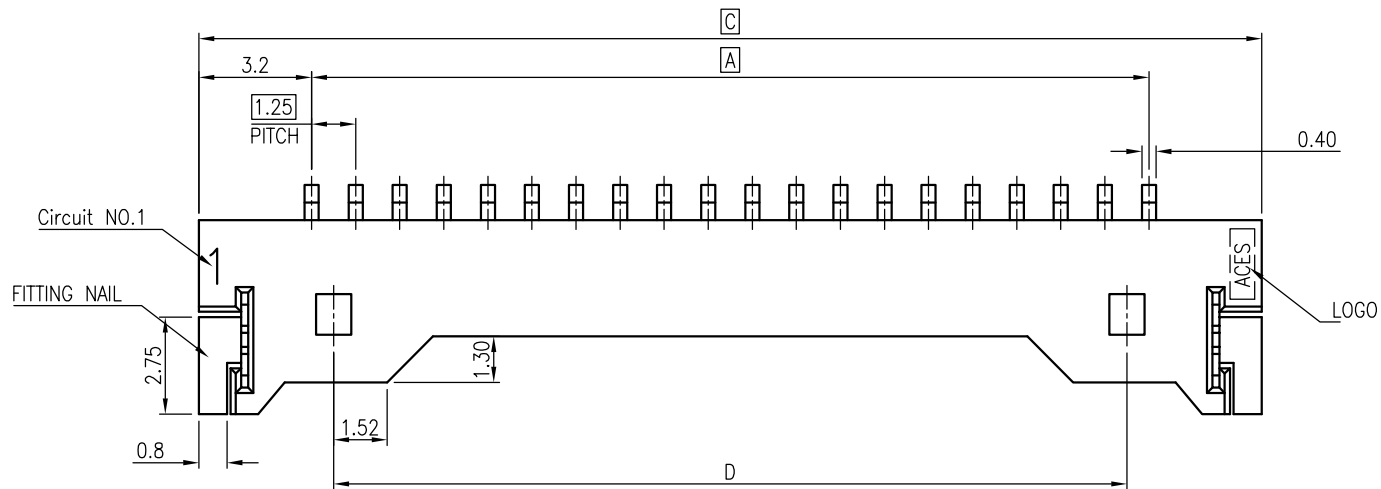


SECT. Y-Y

MATED CONDITION

CKT.	DIM A	DIM B	DIM C	DIM D	M/SIZE
2	1.25	3.77	7.65	--	W3T12
3	2.50	5.02	8.90	--	W3T12
4	3.75	6.27	10.15	2.50	W6T12
5	5.00	7.52	11.40	3.75	W6T12
6	6.25	8.77	12.65	5.00	W6T12
7	7.50	10.02	13.90	6.25	WAT12
8	8.75	11.27	15.15	7.50	WAT12
9	10.00	12.52	16.40	8.75	WAT12
10	11.25	13.77	17.65	10.00	WCT12
12	13.75	16.27	20.15	12.50	X
14	16.25	18.77	22.65	15.00	X
15	17.50	20.02	23.90	16.25	X
16	18.75	21.27	25.15	17.50	X
18	21.25	23.77	27.65	20.00	X
20	23.75	26.27	30.15	22.50	X

QUALITY SYMBOLS MAJOR Ⓜ CRITICAL Ⓢ GENERAL TOLERANCES (UNLESS SPECIFIED) X ±0.5 .X ±0.25 .XX ±0.15 .XXX ±0.1 ANGLES ±2°	DRAWN BY YanJinXiu CHECKED BY BRAVE APPROVED BY BRAVE	DATE 21/10/20 DATE 21/10/20 DATE 21/10/20	
	TITLE 1.25mm WIRE TO BOARD WAFER LPF-1 SMT R/A TYPE		
UNITS mm SCALE 5:1		SIZE A4 REV J	PART NO. SEE NOTES



20PIN

QUALITY SYMBOLS MAJOR CRITICAL GENERAL TOLERANCES (UNLESS SPECIFIED) X. ±0.5 .X ±0.25 .XX ±0.15 .XXX ±0.1 ANGLES ±2°	DRAWN BY YanJinXiu	DATE '21/10/20		
	CHECKED BY BRAVE	DATE '21/10/20		
	APPROVED BY BRAVE	DATE '21/10/20	TITLE 1.25mm WIRE TO BOARD WAFER LPF-1 SMT R/A TYPE	
	UNITS mm		SIZE A4	DWG NO. 50277-XXXXX-XXX-aces
	SCALE 5:1	SHEET NO. 2 OF 2	REV J	PART NO. SEE NOTES