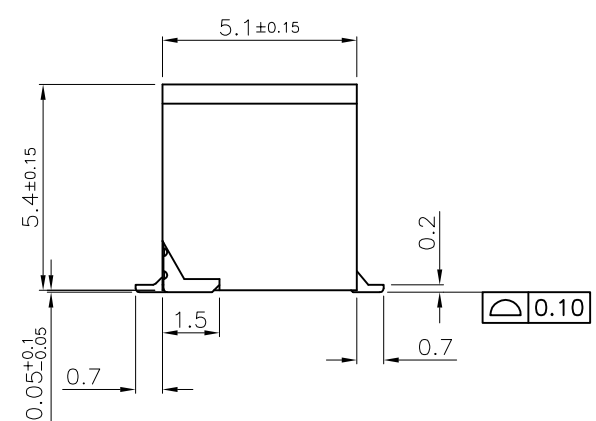
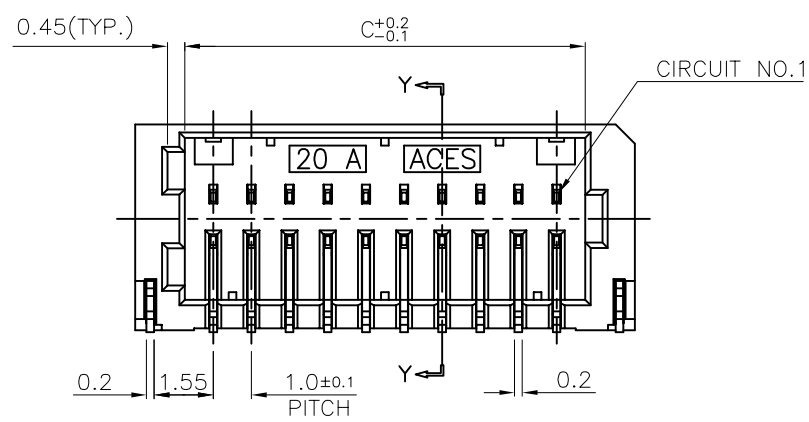


PCB PATTERN LAYOUT



- NOTES:
- MATERIAL:
    - HOUSING: THERMOPLASTIC, HIGH TEMP., UL94V-0.
    - CONTACT: COPPER ALLOY
    - FITTING NAIL: COPPER ALLOY
  - FINISH:
    - CONTACT:
      - UNDERPLATING: 50~100u" NICKEL OVERALL.
      - FINISH: SEE ORDER INFORMATION.
    - FITTING NAIL:
      - UNDERPLATING: 50~100u" NICKEL OVERALL.
      - FINISH: SEE ORDER INFORMATION.
  - REFLOW SOLDER CAPABLE TO 260°C PER ACES SPEC.
  - SPEC. PLS. REFER TO PS-50246-XXXX-XXX
  - PACKAGE PLS. REFER TO 88107-XXOX-TRP
  - COPLANARITY 0.1MM MAX. BASE ON DATUM A
  - TRUE POSITION 0.1MM MAX. BASE ON DATUM B
  - "Halogen Free" product:

PART NUMBER  
P/N LEGEND  
50246-XXX X X-XXX

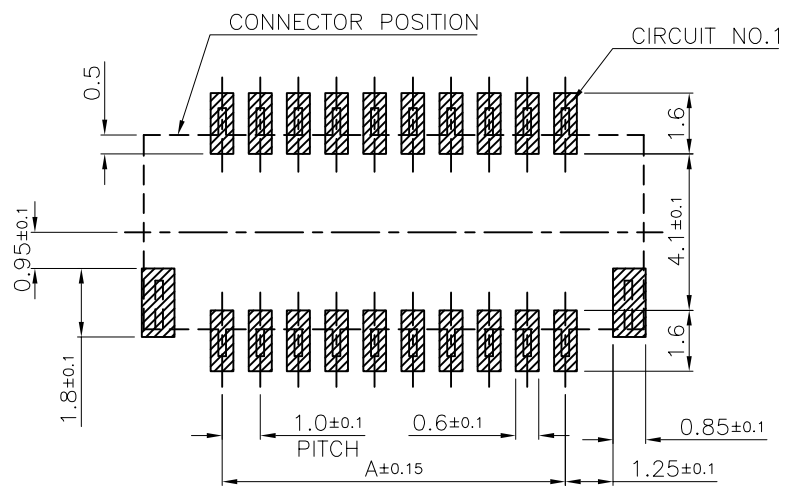
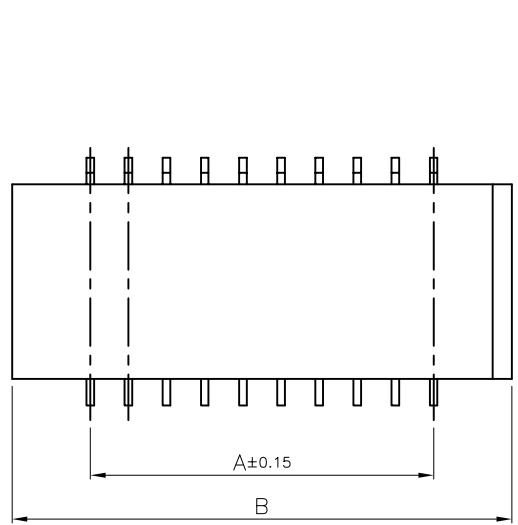
XXX	MATERIAL&COLOR	PACKAGE
001	HF & BLACK	88107-xx0x-TRP
002	HF & NATURAL	88107-xx0x-TRP
004	HF & BLACK	88107-xx0x-01-TRP
005	HF & NATURAL	88107-xxxx-01-TRP

NO OF CKT  
PACKING  
0:TAPE REEL  
1:TUBE PACKAGE

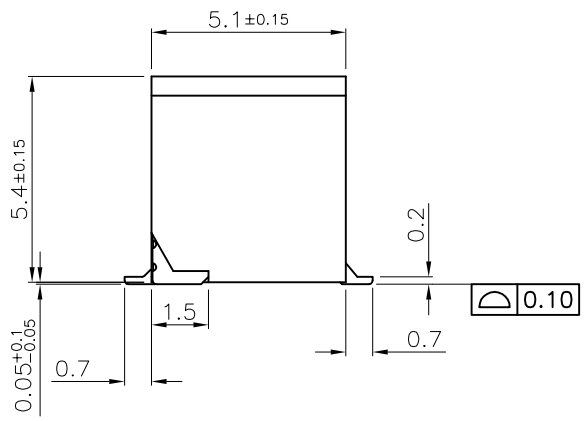
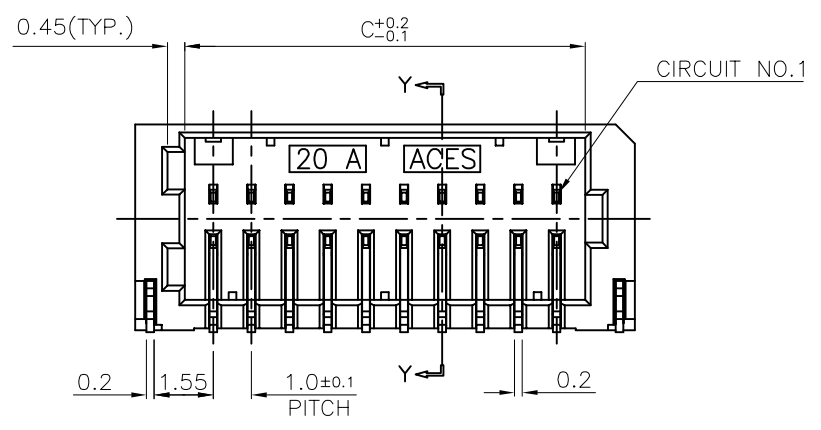
Plating  
L:Lead Free(Pure Tin)  
1:Gold Flash over all(Lead Free)  
3:1u" Gold on contact area(Lead Free)  
N:Matt Tin(Lead Free)  
C:15u" Gold on contact area (Lead Free)  
T:10u" Gold on contact area(Lead Free)

CKT	Dim A	Dim B	Dim C	狀態欄
8	3.0	7.1	4.5	v
10	4.0	8.1	5.5	v
12	5.0	9.1	6.5	v
16	7.0	11.1	8.5	v
18	8.0	12.1	9.5	v
20	9.0	13.1	10.5	v
24	11.0	15.1	12.5	v
30	14.0	18.1	15.5	v
34	16.0	20.1	17.5	v
40	19.0	23.1	20.5	v
50	24.0	28.1	25.5	v
60	29.0	33.1	30.5	v

QUALITY SYMBOLS MAJOR Ⓢ CRITICAL Ⓞ GENERAL TOLERANCES (UNLESS SPECIFIED) X. ±0.5 .X ±0.25 .XX ±0.15 .XXX ±0.1 ANGLES ±2°	DRAWN BY GuoFei DATE 23'/02/15	<p>1.0mm WTB WAFER SMT R/A D/R TYPE</p>	
	CHECKED BY Xu,ZhiYong DATE 23'/02/15		TITLE R/FQ NO. N/A
	APPROVED BY Xu,ZhiYong DATE 23'/02/15		SIZE A4 REV H
	UNITS mm SCALE 1 : 1		SHEET NO. 1 OF 3 DWG NO. 50246-XXXX-XXX



PCB PATTERN LAYOUT



- NOTES:
- MATERIAL:
    - HOUSING: THERMOPLASTIC, HIGH TEMP., UL94V-0.
    - CONTACT: COPPER ALLOY
    - FITTING NAIL: COPPER ALLOY
  - FINISH:
    - CONTACT:
      - UNDERPLATING: 50~100u" NICKEL OVERALL. FINISH: SEE ORDER INFORMATION.
    - FITTING NAIL:
      - UNDERPLATING: 50~100u" NICKEL OVERALL. FINISH: SEE ORDER INFORMATION.
  - REFLOW SOLDER CAPABLE TO 260°C PER ACES SPEC.
  - SPEC. PLS. REFER TO PS-50246-xxxx-xxx
  - PACKAGE PLS. REFER TO 88107-XXOX-TRP
  - COPLANARITY 0.1MM MAX. BASE ON DATUM A
  - TRUE POSITION 0.1MM MAX. BASE ON DATUM B
  - "Halogen Free" product:

PART NUMBER  
P/N LEGEND  
50246-XXX X X-XXX

XXX	MATERIAL&COLOR	GWTL&GWFI
003	III' & BLACK	Y

NO OF CKT

PACKING  
0: TAPE REEL  
1: TUBE PACKAGE

Plating  
L: Lead Free (Pure Tin)  
1: Gold Flash over all (Lead Free)  
N: Matt Tin (Lead Free)  
C: 15u" Gold on contact area (Lead Free)  
T: 10u" Gold on contact area (Lead Free)

CKT	Dim A	Dim B	Dim C	狀態欄
8	3.0	7.1	4.5	v
10	4.0	8.1	5.5	v
12	5.0	9.1	6.5	v
16	7.0	11.1	8.5	v
18	8.0	12.1	9.5	v
20	9.0	13.1	10.5	v
24	11.0	15.1	12.5	v
30	14.0	18.1	15.5	v
34	16.0	20.1	17.5	v
40	19.0	23.1	20.5	v
50	24.0	28.1	25.5	v
60	29.0	33.1	30.5	v

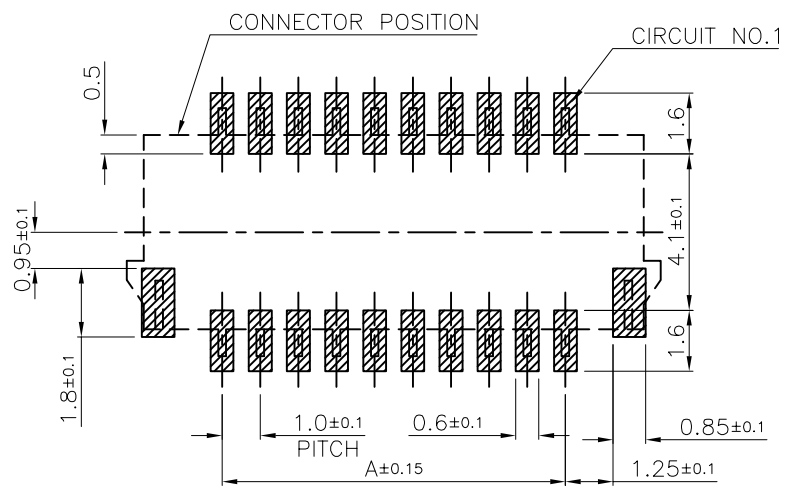
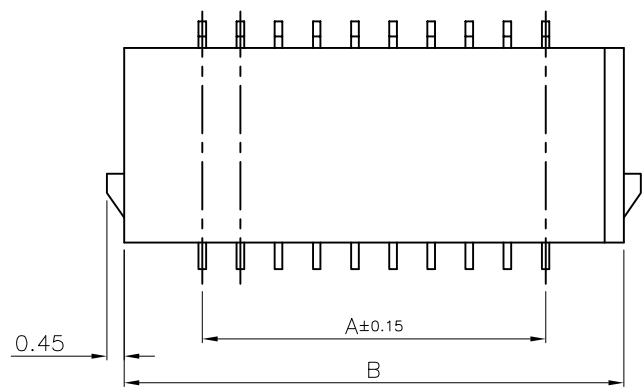
QUALITY SYMBOLS	MAJOR	CRITICAL	GENERAL TOLERANCES (UNLESS SPECIFIED)	X. ±0.5	.X ±0.25	.XX ±0.15	.XXX ±0.1	ANGLES ±2°
-----------------	-------	----------	---------------------------------------	---------	----------	-----------	-----------	------------

DRAWN BY	DATE		
GuoFei	23'/02/15		
CHECKED BY	DATE		
Xu.ZhiYong	23'/02/15	TITLE	
APPROVED BY	DATE	1.0mm WT B WAFER	
Xu.ZhiYong	23'/02/15	SMT R/A D/R TYPE	
UNITS	SCALE	SIZE	RFQ NO.
mm	1 : 1	A4	N/A
SHEET NO.	REV	DWG NO.	
2 OF 3	H	50246-XXXXX-XXX	

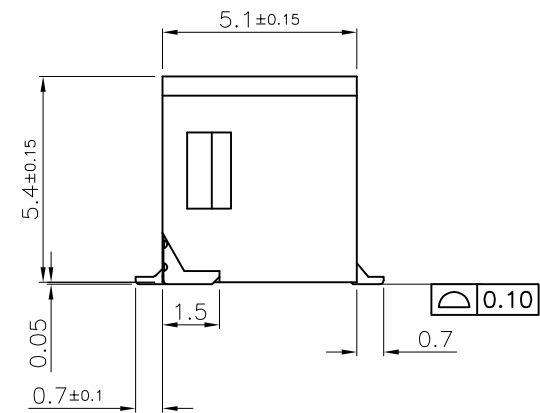
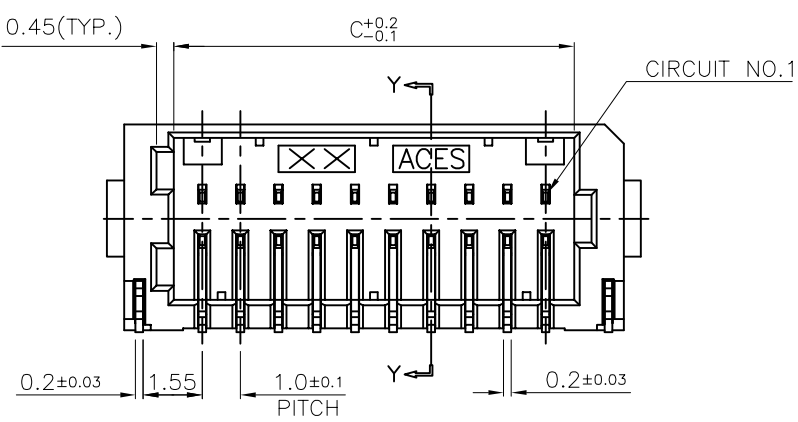


A B C D E F G H I J

1  
2  
3  
4  
5  
6  
7



PCB PATTERN LAYOUT



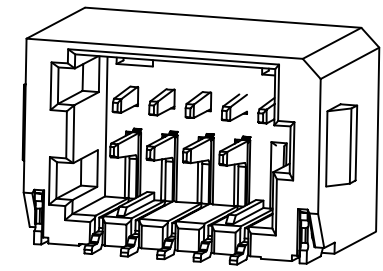
- NOTES:
- MATERIAL:
    - HOUSING: THERMOPLASTIC, HIGH TEMP., UL94V-0.
    - CONTACT: COPPER ALLOY
    - FITTING NAIL: COPPER ALLOY
  - FINISH:
    - CONTACT:
      - 50u" MIN. NICKEL UNDERPLATING OVERALL.
      - N:100u" MIN MATTE TIN ON CONTACT AND SOLDER AREA.
    - FITTING NAIL:
      - 50u" MIN. NICKEL UNDERPLATING OVERALL.
      - N:80u" MIN MATTE TIN PLATING
  - REFLOW SOLDER CAPABLE TO 260°C PER ACES SPEC.
  - SPEC. PLS. REFER TO PS-50246-xxxx-xxx
  - PACKAGE PLS. REFER TO 50246-XXXX-XX-TRP
  - COPLANARITY 0.1MM MAX. BASE ON DATUM A
  - TRUE POSITION 0.1MM MAX. BASE ON DATUM B
  - "Halogen Free" product:

P/N LEGEND  
50246-XXX X X-XXX

NO OF CKT	XXX	MATERIAL&COLOR	PACKAGE
NO OF CKT	006	HTN & BLACK	50246-xxxx-xx-TRP

Packing  
0:TAPE REEL

Plating  
N:Matt Tin(Lead Free)



CKT	Dim A	Dim B	Dim C
10	4.0	8.1	5.5

QUALITY SYMBOLS MAJOR Ⓢ CRITICAL Ⓞ GENERAL TOLERANCES (UNLESS SPECIFIED) X. ±0.5 .X ±0.25 .XX ±0.15 .XXX ±0.1 ANGLES ±2°	DRAWN BY GuoFei DATE 23'/02/15	<p>1.0mm WTB WAFER SMT R/A D/R TYPE</p>	
	CHECKED BY Xu,ZhiYong DATE 23'/02/15		TITLE N/A
	APPROVED BY Xu,ZhiYong DATE 23'/02/15		RFG NO. N/A
	UNITS mm SCALE 1 : 1		SIZE A4 REV H SHEET NO. 3 OF 3 DWG NO. 50246-XXXXX-XXX

B C D E F G H I J