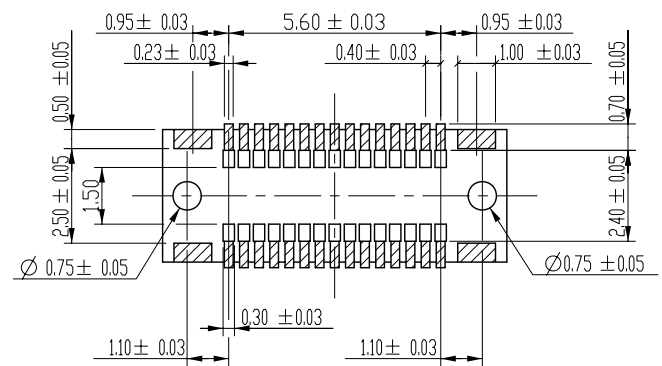
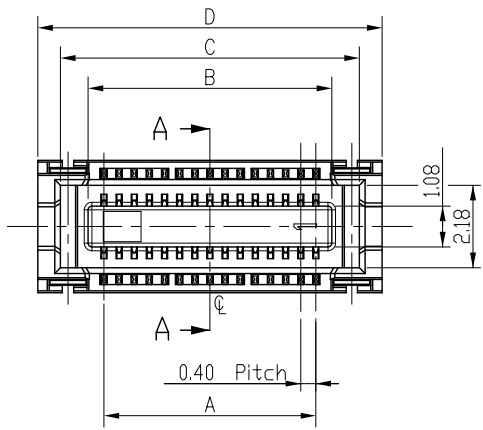
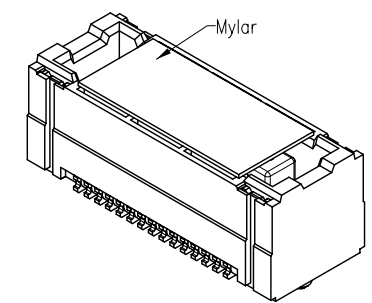




CKTS	A	B	C	D
30	5.60	6.44	8.10	9.10
60	11.60	12.44	14.10	15.10



PCB PATTREN LAYOUT WITH BOSS
SCALE 5:1

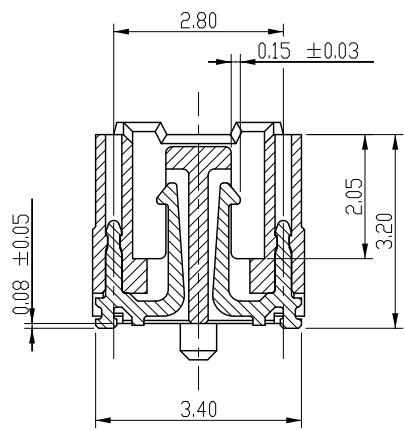
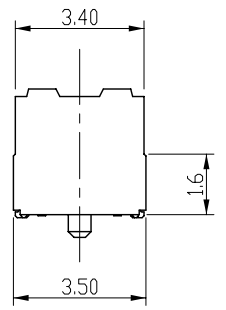
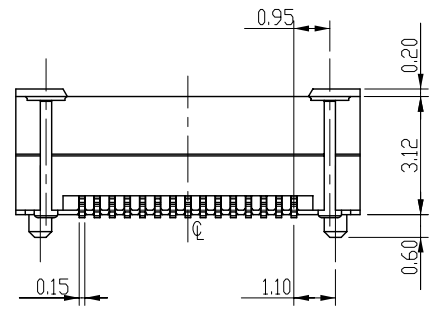


NOTES:

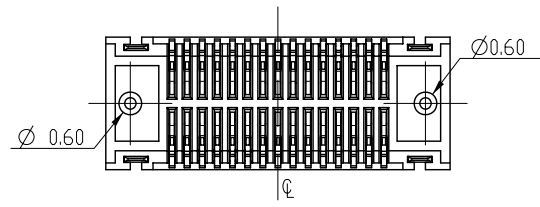
- MATERIAL:
 - HOUSING: THERMOPLASTIC, HIGH TEMP., UL94V-0; COLOR:BLACK.
 - CONTACT: COPPER ALLOY
 - FITTING NAIL:COPPER ALLOY
- FINISH:
 - CONTACT: UNDERPLATING: 50~100u" NICKEL OVERALL. FINISH:GOLD FLASH.
- REFLOW SOLDER CAPABLE TO 260°C PER ACES SPEC.
- SPEC. PLS. REFER TO PS-50180-xxxx
- PACKAGE PLS. REFER TO 50180-CR
- OTHER MATING CONN. 50177
- PART NUMBER
50180-XXX X X- XXX

XXX	BOSS
001	WITH BOSS
002	WITHOUT BOSS

- PACKING
- TAPE & REEL WITH MYLAR
 - TUBE WITH MYLAR
- PLATING
- GOLD FLASH ON CONTACT FOR LEAD FREE(MATT TIN)
 - GOLD FLASH ON CONTACT AND SOLDER



SECTION: A-A
8:1



一般公差 TOLERANCES X ±0.5 XX ±0.15 .X ±0.25 .XXX ±0.10 ANGLES ±2°		宏致電子股份有限公司 Aces Electronics Co.,Ltd.	
檢驗尺寸標示 SYMBOLS INDICATE CLASSIFICATION DIMENSION	品名 (TITLE) 0.4mm PITCH BTB RCPT CONN. SMT D/R S/T TYPE	製圖 (DR) '15/02/07 LI JIN 審核 (CHKD) BRAVE	5
MARK IS CRITICAL DIM. MARK IS MAJOR DIM.	圖號 (DWG.NO) 50180-xxxxx-xxx	核准 (APPD) FRANK	
表面處理 (FINISH)	比例 (SCALE) 4:1 單位 (UNITS) mm	張數 (SHEET) 1 OF 1 尺寸 (SIZE) A4 版次 (REV) B	