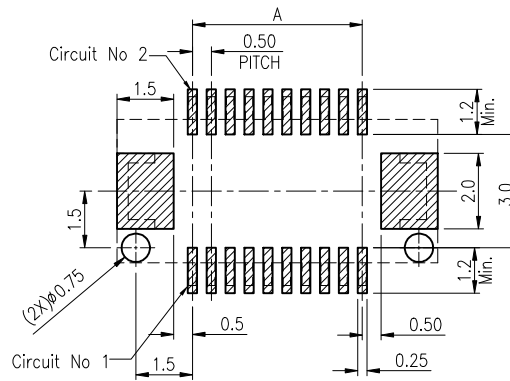
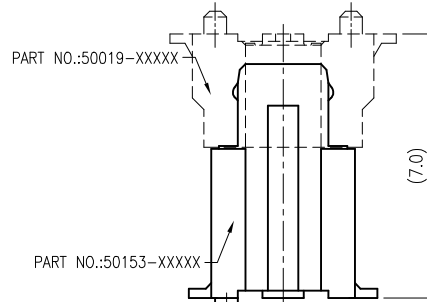
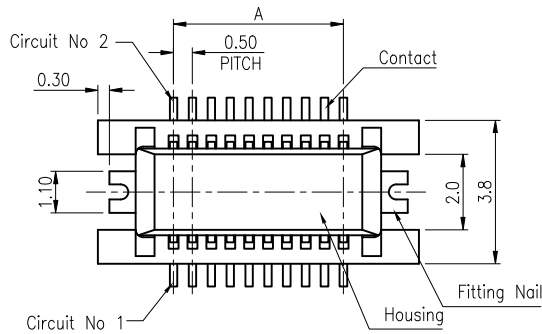


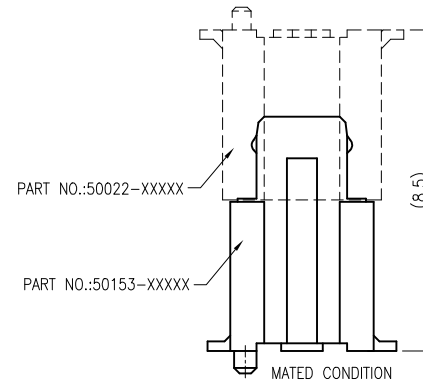
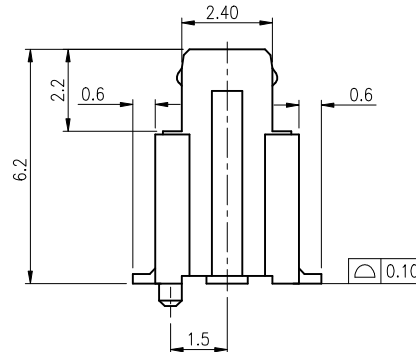
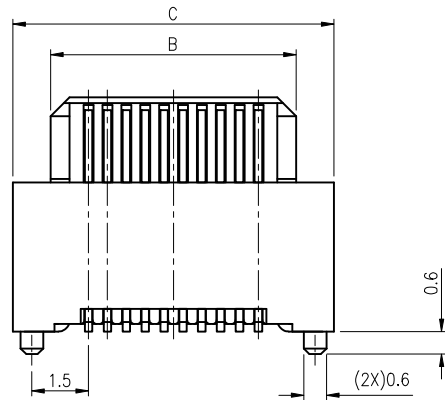
RECOMMENDED PCB LAYOUT
GENERAL TOLERANCE ± 0.05
WITHOUT BOSS



RECOMMENDED PCB LAYOUT
GENERAL TOLERANCE ± 0.05
WITH BOSS



MATED CONDITION



MATED CONDITION

NOTES:

1. MATERIAL:
 - 1.1 HOUSING: THERMOPLASTIC, HIGH TEMP.,UL94V-0;
 - 1.2 CONTACTS: COPPER ALLOY;
 - 1.3 FITTING NAIL: COPPER ALLOY.
2. FINISH:
 - 2.1 CONTACT:
 - 50 μ MIN. NICKEL UNDERPLATING OVER ALL
 - N:100~200 μ MATT TIN PLATING OVER ALL
 - C:15 μ GOLD PLATING ON CONTACT AREA
 - D:30 μ GOLD PLATING ON CONTACT AREA
 - 2.2 FITTING NAIL:
 - 50 μ MIN. NICKEL UNDERPLATING OVER ALL
 - 100~200 μ PURE MATT TIN PLATING OVER ALL
3. REFLOW SOLDER CAPABLE TO 260°C PER ACES SPEC.
4. SPEC. PLS. REFER TO PS-50037-xxxx-xxx
5. PACKAGE PLS. REFER TO 88071-xxxxA-TRP OR 88071-xxxxB-TRP

6. PART NUMBER

50153-XXX X X-XXX

XXX	Housing Color	Halogen Free	Polarization	PACKAGE
001	Black	HF	with boss	88071-xxxxB-TRP
002	Black	HF	without boss	88071-xxxxA-TRP

NO OF CKT

PACKING
0:TAPE REEL
1:TUBE PACKAGE

PLATING
1:GOLD FLASH OVER ALL
N:MATT TIN
D:30 μ GOLD ON CONTACT AREA
C:15 μ GOLD ON CONTACT AREA

CKT	Dim A	Dim B	Dim C
10	2.0	4.0	6.0
16	3.5	5.5	7.5
20	4.5	6.5	8.5
30	7.0	9.0	11.0
40	9.5	11.5	13.5
50	12.0	14.0	16.0
60	14.5	16.5	18.5
70	17.0	19.0	21.0
80	19.5	21.5	23.5
100	24.5	26.5	28.5
120	29.5	31.5	33.5

QUALITY SYMBOLS MAJOR \oplus CRITICAL \otimes	DRAWN BY YanjinXiu	DATE 23'/01/03
GENERAL TOLERANCES (UNLESS SPECIFIED)	CHECKED BY BRAVE	DATE 23'/01/03
X. ± 0.5 .X ± 0.25 .XX ± 0.15 .XXX ± 0.1 ANGLES $\pm 2^\circ$	APPROVED BY BRAVE	DATE 23'/01/03
	UNITS mm	SIZE A4
	SCALE 5 : 5	REV E
	SHEET NO. 1 OF 1	RFQ NO. N/A
		DWG NO. 50153-XXXXX-XXX

ACES ELECTRONICS

TITLE
0.5mm BTB Rept. SMT S/T D/R
TYPE