

RECOMMENDED PCB LAYOUT
GENERAL TOLERANCE ±0.05

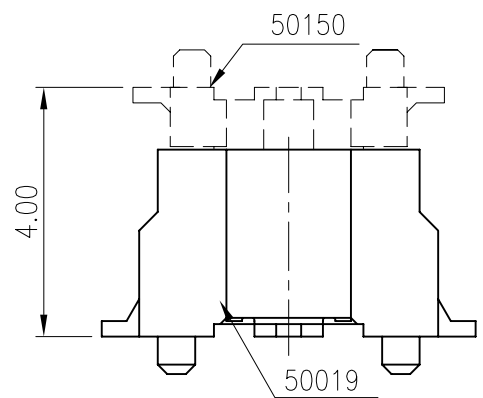
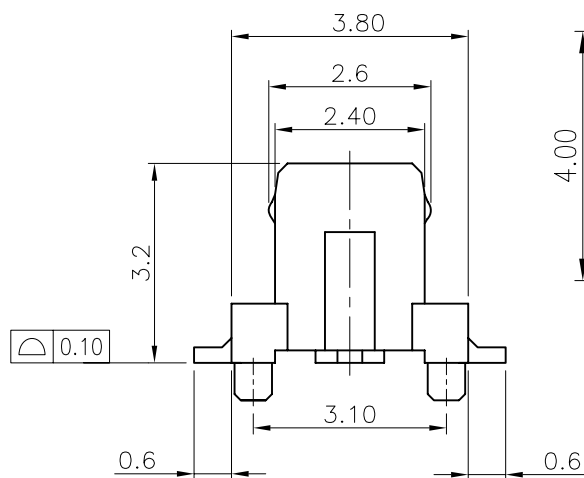
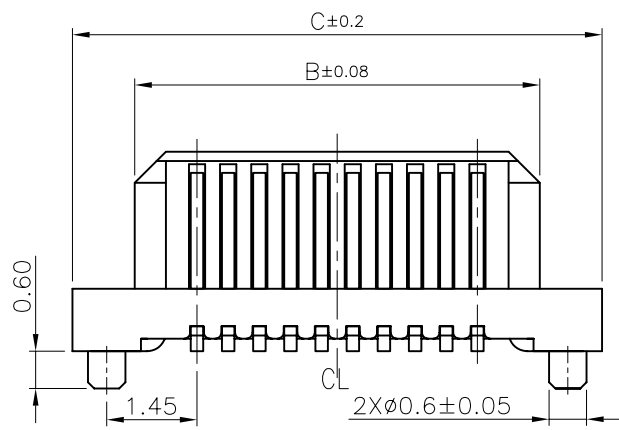
- NOTES:
- MATERIAL:
 - HOUSING: THERMOPLASTIC, HIGH TEMP., UL94V-0;
 - CONTACT: COPPER ALLOY
 - FITTING NAIL: COPPER ALLOY
 - FINISH:
 - CONTACT: GOLD FLASH ON CONTACT AND SOLDER AREA 50u" MIN. NICKEL UNDERPLATING OVERALL
 - FITTING NAIL: GOLD FLASH OVERALL 50u" MIN. NICKEL UNDERPLATING OVERALL
 - REFLOW SOLDER CAPABLE TO 260°C PER ACES SPEC.
 - SPEC. PLS. REFER TO PS-50150-XXXXX-XXX
 - PACKAGE PLS. REFER TO 88069-XXXXA-TRP OR 88069-XXXXW-TRP
 - PART NUMBER

50150-XXX X X-XXX

NO OF CKT
PACKING
0:TAPE & REEL
1:TUBE PACKAGE

XXX	Housing	Halogen Free	Packing
001	Black Without Boss	HF	88069-XXXXA-TRP
W01	Black Without Boss	HF	88069-XXXXW-TRP
002	Black With Boss	HF	88069-XXXXA-TRP

PLATING
1:GOLD FLASH ON CONTACT AND SOLDER AREA
N:MATT TIN



CKT	Dim A	Dim B	Dim C
14	3.0	5.0	7.0
16	3.5	5.5	7.5
20	4.5	6.5	8.5
24	5.5	7.5	9.5
26	6.0	8.0	10.0
30	7.0	9.0	11.0
40	9.5	11.5	13.5
50	12.0	14.0	16.0
60	14.5	16.5	18.5
70	17.0	19.0	21.0
80	19.5	21.5	23.5
100	24.5	26.5	28.5
120	29.5	31.5	33.5
160	39.5	41.5	43.5
180	44.5	46.5	48.5
200	49.5	51.5	53.5

一般公差 TOLERANCES X ±0.5 XX ±0.15 X ±0.25 XXX ±0.1 ANGLES ±2°		宏致電子股份有限公司 Aces Electronics Co.,Ltd.	
檢驗尺寸標示 SYMBOLS INDICATE CLASSIFICATION DIMENSION MARK IS CRITICAL DIM. MARK IS MAJOR DIM.	品名 (TITLE) 0.5mm BTB D/R RCPT SMT S/T TYPE	製圖 (DR) '16/03/10 LLJ 審核 (CHKD) ANDREW	圖號 (DWG NO.) 50150-XXXXX-XXX 核准 (APPD) CHARLESLEE
表面處理 (FINISH)	比例 (SCALE)	單位 (UNITS) mm	張數 (SHEET) 1 OF 1 SIZE A4 REV C