



NOTES:
 1. MATERIAL:
 HOUSING: HALOGEN FREE PLASTIC, HIGH TEMP., UL94V-0.
 TERMINAL: COPPER ALLOY
 FITTING NAIL: COPPER ALLOY
 2. PLATING:
 PLS. SEE ACES PLATING CODE (P/N LEGEND)
 3. SPEC. PLS. REFER TO PS-50123-XXXX-XXX
 4. PACKAGE PLS. REFER TO EN-88012-XX0X-TRP
 (50123-030&080 7x-xxx除外)
 OR EN-50123-XXXX-XX-TRP
 (50123-030&080 7x-xxx適用)

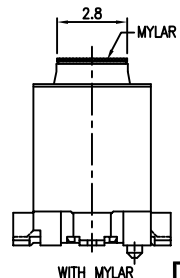
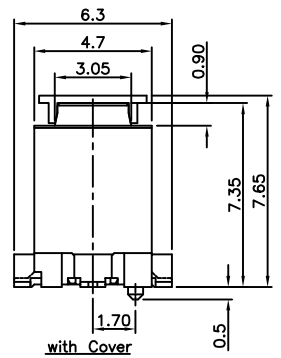
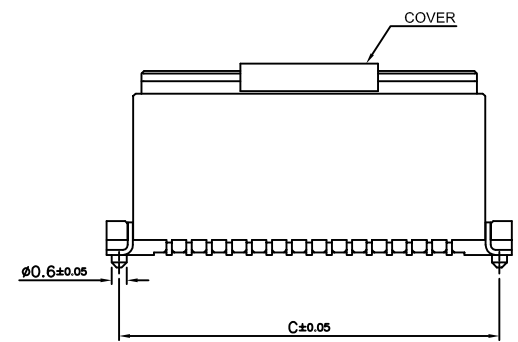
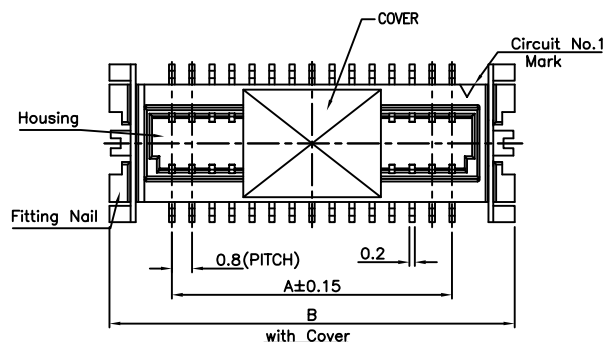
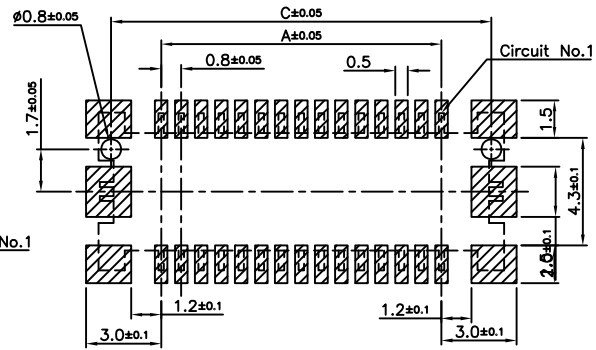
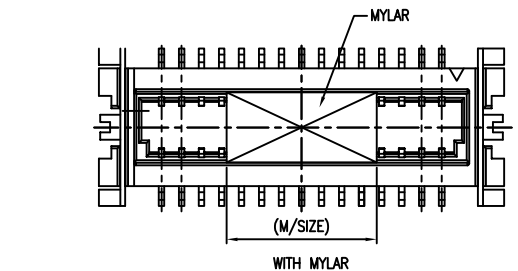
P/N LEGEND
 50123-XXX X X-XXX

NO OF CKT

XXX	COLOR	MATERIAL
001	BLACK	HF PLASTIC

PACKING
 0: TAPE REEL
 1: TUBE PACKAGE
 4: TAPE REEL WITH MYLAR
 5: TUBE WITH MYLAR
 7: TAPE REEL WITH COVER
 8: TUBE WITH COVER

PLATING
 1: G/F OVER ALL (LEAD FREE)
 N: MATT TIN (LEAD FREE)
 C: 15U" GOLD ON CONTACT AREA



CKT	Dim A	Dim B	Dim C	M/Size
10	3.2	8.2	7.2	3.4
12	4.0	9.0	8.0	3.4
14	4.8	9.8	8.8	3.4
16	5.6	10.6	9.6	6.0
20	7.2	12.2	11.2	6.0
24	8.8	13.8	12.8	6.0
26	9.6	14.6	13.6	6.0
30	11.2	16.2	15.2	6.0
34	12.8	17.8	16.8	6.0
36	13.6	18.6	17.6	6.0
40	15.2	20.2	19.2	6.0
50	19.2	24.2	23.2	6.0
60	23.2	28.2	27.2	6.0
80	31.2	36.2	35.2	6.0
90	35.2	40.2	39.2	6.0

QUALITY SYMBOLS MAJOR Ⓢ CRITICAL Ⓢ	DRAWN BY Sun,Ya Jie	DATE 20/04/01
GENERAL TOLERANCES (UNLESS SPECIFIED)	CHECKED BY Xu,Zhi Yong	DATE 20/04/01
X. ±0.5 .X ±0.25 .XX ±0.15 .XXX ±0.1 ANGLES ±2°	APPROVED BY Xu,Zhi Yong	DATE 20/04/01
UNITS mm	SIZE A4	RFQ NO. N/A
SCALE 5:1	SHEET NO. 1 OF 1	REV D
DWG NO. 50123-XXXX-XXX		

ACES ELECTRONICS

TITLE
 0.8mm BTB PLUG
 SMT S/T D/R TYPE